

HidROS

WATER TO WATER GROUND SOURCE HEAT PUMPS

WHA

SERIES



R410A



C.O.P. ≥ 5,1

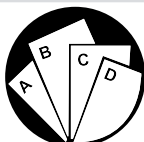
TECHNICAL MANUAL

Incorporated in this document are the following:

- Declaration of conformity
- Technical manual
- Dimensional drawing
- Wiring diagrams



ISO 9001 - Cert. n. 5205/0



Multiple instructions:
Consult the specific part



Read and understand
the instructions before
undertaking any work on
the unit

RETAIN FOR FUTURE REFERENCE

Reproduction, data storage and transmission, even partial, of this publication, in any form, without the prior written authorisation of HIDROS S.p.A., is prohibited. HIDROS S.p.A. can be contacted for all inquiries regarding the use of its products.

HIDROS S.p.A. follows a policy of continuous product development and improvement and reserves the right to modify specifications, equipment and instructions regarding use and maintenance at any time, without notice.

Declaration of conformity

We declare under our own responsibility that the below equipment complies in all parts with the CEE and EN directives.

The declaration of conformity is enclosed to the technical booklet enclosed with the unit.

INDEX

1. INTRODUCTION	5
1.1 Preliminary information	5
1.2 Aim and content of the manual	5
1.3 How to store this manual	5
1.4 Manual updates	5
1.5 How to use this manual	5
1.6 Potential risks	6
1.7 General description of symbols used	7
1.8 Safety symbols used	8
1.9 Limitations and prohibited use	9
1.10 Unit identification	9
2. SAFETY	10
2.1 Warning re potentially hazardous toxic substances	10
2.2 Refrigerant handling	10
2.3 Prevention of inhalation of high vapor concentrations	11
2.4 Procedures in the event of accidental release of refrigerant	11
2.5 Main Toxicological information on the type of refrigerant used	11
2.6 First aid measures	11
3. TECHNICAL CHARACTERISTICS	12
3.1 Unit description	12
3.2 Other versions	14
3.3 Accessories description	14
3.4 Technical data	15
3.5 Operation limits	19
3.6 Domestic hot water production	20
3.7 Compressor capacity steps	22
3.8 Correction tables	22
3.9 Sound data	23
4. INSTALLATION	24
4.1 General safety guidelines and use of symbols	24
4.2 Workers' health and safety	24
4.3 Personal protective equipment	24
4.4 Inspection	25
4.5 Storage	25
4.6 Unpacking	25
4.7 Lifting and handling	26
4.8 Location and minimum technical clearances	26
4.9 Installation of rubber vibration dampers (KAVG)	28
4.10 Serial interface card RS485 (INSE)	28
4.11 Source water pump installation	29
4.12 Hydraulic connections	29
4.13 Chemical characteristics of the water	30
4.14 User circuit minimum water content	30
4.15 Installation with source open circuit (heat pump water water)	31
4.16 Chemical characteristics of source water circuit	31
4.17 Hydraulic components	32
4.18 Domestic hot water (dhw) hydraulic circuit	36
4.19 Filling the hydraulic circuit	36
4.20 Emptying the installation	36
4.21 Typical installations	36
4.22 Wiring connections: Preliminary safety information	39
4.23 Electric data	40
4.24 Electric connections	41
4.25 Positioning of the user circuit water inlet sensor (bti)	44
4.26 Positioning of the domestic hot water circuit sensor (bts)	44

4.27 Refrigerant circuit layout	45
5. UNIT START UP	52
5.1 Preliminary Checks	52
5.2 Description of the control panel	54
5.3 Remote control panel	55
6. USE	57
6.1 Switch the unit on	57
6.2 Stop	58
6.3 Stand-by	58
6.4 How to change the set points	59
6.5 Parameters list	60
6.6 Acoustic signal silencing	61
6.7 Alarm reset	61
6.8 Display alarm history	61
7. MAINTENANCE OF THE UNIT	61
7.1 General warnings	61
7.2 Access to the unit	62
7.3 Periodical checks	62
7.4 Refrigerant circuit repair	62
8. DECOMMISSIONING	63
8.1 Unit Isolation & drain down	63
8.2 Disposal, recovery and recycling	63
8.3 RAEE directive (only for EC countries)	63
9. DIAGNOSIS & TROUBLESHOOTING	64
9.1 Fault finding	64
10. DIMENSIONAL DRAWINGS	66

1. INTRODUCTION

1.1 Preliminary information

Reproduction, storage or transmission of any part of this publication in any form, without the prior written consent of the Company, is prohibited.

The unit to which these instructions refer, is designed to be used for the the purposes described and to be operated in accordance with these instructions.

The Company will not be liable for claims for damage caused to persons, animals, material goods or property caused by improper installation, adjustment and maintenance or improper use. Any use not specified in this manual is prohibited.

This document is intended to provide information only and does not form a contract with third parties.

The Company pursues a policy of constant improvement and development of its products and therefore reserves the right to change the specifications and the documentation at any time, without notice and without obligation to update existing equipment.

1.2 Aim and content of the manual

These instructions are intended to provide the information required for the selection, installation, use and maintenance of the unit.

They have been prepared in accordance with the European Union laws and with the technical standards in force at the date of issue of the instructions.

The instructions contain all the necessary information to prevent any reasonably foreseeable misuse.

1.3 How to store this manual

The manual must be kept in a suitable place with easy access for users and operators, protected from dust and damp.

The manual must always accompany the unit during the entire life cycle of the same and therefore must be transferred to any subsequent user.

1.4 Manual Update

It is recommended that the manual is updated to the latest revision available.

If updates are sent to the customer they must be added to this manual.

The latest information regarding the use of its products is available by contacting the Company.

1.5 How to use this manual



The manual is an integral part of the unit.

Users or operators must consult the manual before performing any operation and especially so when transporting, handling, installing, maintaining, or dismantling the unit in order to eliminate uncertainty and reduce risk.



In these instructions symbols have been used (described in the following paragraphs) to draw the attention of operators and users to the operations that have a higher risk and which must be performed safely.

1.6 Potential Risks

Whilst the unit has been designed to minimize any risk posed to the safety of people who will interact with it, it has not been technically possible to eliminate completely the causes of risk. It is therefore necessary to refer to the requirements and symbolism below:

LOCATION OF RISK	POTENTIAL RISK	METHOD OF INJURY	PRECAUTIONS
Thermal heat exchangers.	Small stab wounds.	Contact	Avoid any contact, use protective gloves.
Fan and fan grilles.	Cuts, eye damage, broken bones.	Insertion of sharp objects through the grid while the fans are operating.	Never put objects through the protection grilles.
Internal component: compressors and discharge pipes	Burns.	Contact	Avoid any contact, use protective gloves.
Internal component: electric cables and metallic parts	Electrocution, severe burns.	Defect in the supply cable insulation, live metallic parts.	Adequate protection of power cables, ensure correct earthing of all metal parts.
External to unit: unit enclosure	Poisoning, severe burns.	Fire due to short circuit or overheating of the supply cable external to unit.	Size cables and mains protection system in accordance with iee regulations.
Low pressure safety valve.	Poisoning, severe burns.	High evaporating pressure causing a refrigerant discharge during maintenance.	Carefully check the evaporating pressure during the maintenance operations.
High pressure safety valve.	Poisoning, severe burns, hearing loss.	Activation of the high pressure safety valve with the refrigerant circuit open.	If possible, do not open the refrigerant circuit valve; carefully check the condensing pressure; use all the personal protective equipment required by law.

1.7 General Description of Symbols Used

Safety symbols combined in accordance with ISO 3864-2:



BANNED

A black symbol inside a red circle with a red diagonal indicates an action that should not be performed.



WARNING

A black graphic symbol added to a yellow triangle with black edges indicates danger.



ACTION REQUIRED

A white symbol inserted in a blue circle indicates an action that must be done to avoid a risk.

Safety symbols combined in accordance with ISO 3864-2:



The graphic symbol “warning” is qualified with additional safety information (text or other symbols).

1.8 Safety symbols used



GENERAL RISK

Observe all signs placed next to the pictogram. The failure to follow directions may create a risk situation that may be injurious to the user.



ELECTRICAL HAZARD

Observe all signs placed next to the pictogram. The symbol indicates components of the unit and actions described in this manual that could create an electrical hazard.



MOVING PARTS

The symbol indicates those moving parts of the unit that could create risk.



HOT SURFACES

The symbol indicates those components with high surface temperature that could create risks.



SHARP SURFACES

The symbol indicates components or parts that could cause stab wounds.



EARTH CONNECTION

The symbol identifies Earthing connection points in the unit.



READ AND UNDERSTAND THE INSTRUCTIONS

Read and understand the instructions of the machine before any operations.



RECOVER OR RECYCLE MATERIAL

1.9 Limitations and prohibited use

The machine is designed and built exclusively for the uses described in “Limitations of use” of the technical manual. Any other use is prohibited because it may pose a potential risk to the health of operators and users.



The unit is not suitable for operations in environments:

- excessively dusty or potentially explosive atmospheres;
- where there are vibrations;
- where there are electromagnetic fields;
- where there are aggressive atmospheres

1.10 Unit identification

Each unit has a rating plate that provides key information regarding the machine. The rating plate may differ from the one shown below as the example is for a standard unit without accessories. For all electrical information not provided on the label, refer to the wiring diagram. A facsimile of the label is shown below:

<p>Via E. Mattei, 20 35028 Piove di Sacco PD Italy</p> <p>Manufacturer: PD322111</p>	
Refrigeratore d'acqua/Water chiller Kaltwassersatz/Refroidisseur à eau	Matricola/Serial number Matrikel/Matricule
1WHA.070R-1A	204380
Tensione-Fasi-Frequenza Voltage-Phases-Frequency Spannung-Phasen-Frequenz Tension-Phases-Fréquence	Corrente massima assorbita Max absorbed current Maximalstromverbrauch Courant maxi absorbée
400V-3ph-50Hz	53,0 A
Tipo refrigerante Refrigerant type Kältemittel typ Type de refrigerant	Carica refrigerante Refrigerant charge Kältemittelfüllung Charge de refrigerant
R410A	8,00 kg
Max press. di esercizio (alta/bassa) Max allowable press. (high/low) Max kältermittel betriebsdruck (hoch/nieder) Press. maxi admissible (haut/bas)	Data di produzione Manufacturing date Erstellungsdatum Date de fabrication
/ bar	13/2013



The product label should never be removed from the unit.

2. SAFETY

2.1 Warning re potentially hazardous toxic substances

2.1.1 Identification of the Type of Refrigerant Fluid Used: R407C

- Difluoromethane (HFC-32) 50% by weight CAS No.: 000075-10-5
- Pentafluoroethane (HFC-125) 50% by weight CAS No.: 000354-33-6

2.1.2 Identification of the Type of Oil Used.

The lubricant used is polyester oil. Please refer to the information provided on the compressor data plate.



For further information regarding the characteristics of the refrigerant and oil used, refer to the safety data sheets available from the refrigerant and oil manufacturers.

Main Ecological Information Regarding the Types of refrigerants Fluids used.



ENVIRONMENTAL PROTECTION : Read the ecological information and the following instructions carefully.

2.1.3 Persistence and degradation

The refrigerants used decompose in the lower atmosphere (troposphere) relatively quickly. The decomposed products are highly dispersible and therefore have a very low concentration. They do not influence the photochemical smog which is not among the VOC volatile organic compounds (as stipulated in the guidelines to the UNECE). The constituent refrigerants of R407C (R32, R125 and R134a), do not damage the ozone layer. These substances are regulated under the Montreal Protocol (revised 1992) and regulations EC no. 2037/200 of 29 June 2000.

2.1.4 Effects of discharges

Discharges into the atmosphere of this product does not cause a long-term contamination.

2.1.5 Exposure controls and personal protection

Wear protective clothing and gloves, protect your eyes and face

2.1.6 Professional exposure limits

R410A	
HFC	TWA 1000 ppm
HFC125	TWA 1000 ppm

2.2 Refrigerant handling



Users and maintenance personnel must be adequately informed about the possible risks of handling potentially toxic substances. Failure to follow such instructions can cause damage to personnel or to the unit.

2.3 Prevent inhalation of high vapor concentration

Atmospheric concentrations of refrigerant must be minimized and kept to a level that is below the occupational exposure limit. Vapor is heavier than air and can form dangerous concentrations near the ground where the ventilation rate is lower. Always ensure adequate ventilation. Avoid contact with open flames and hot surfaces as this can cause toxic and irritating decomposition products to form. Avoid contact between liquid refrigerant and the eyes or skin.

2.4 Procedures to be adopted in the event of accidental release of refrigerant

Ensure suitable personal protection (especially respiratory protection) during cleaning operations.

If deemed safe, isolate the source of the leak. If the leakage is small and if adequate ventilation is provided, allow the refrigerant to evaporate. If the loss is substantial ensure that measures are taken to adequately ventilate the area.

Contain spilled material with sand, earth or other suitable absorbent material.

Do not allow the refrigerant to enter drains, sewers or basements, as pockets of vapor can form.

2.5 Main Toxicological Information Regarding the Type of refrigerant used

2.5.1 Inhalation

A high atmospheric concentration can cause anaesthetic effects with possible loss of consciousness. Prolonged exposure may lead to irregular heartbeat and cause sudden death. Higher concentrations may cause asphyxia due to the reduced oxygen content in the atmosphere.

2.5.2 Contact with skin

Splashes of nebulous liquid can produce frostbite. Probably not hazardous if absorbed through the skin. Repeated or prolonged contact may remove the skin's natural oils, with consequent dryness, cracking and dermatitis.

2.5.3 Contact with eyes

Splashes of liquid may cause frostbite.

2.5.4 Ingestion

While highly improbable, may produce frostbite.

2.6 First Aid Measures



Adhere scrupulously to the warnings and first aid procedures indicated below.

2.6.1 Inhalation

Move the person away from the source of exposure, keep him/her warm and let him/her rest. Administer oxygen if necessary. Attempt artificial respiration if breathing has stopped or shows signs of stopping. If the heart stops, perform external heart massage. Seek medical assistance.

2.6.2 Contact with skin

In case of contact with skin, wash immediately with lukewarm water. Thaw tissue using water. Remove contaminated clothing. Clothing may stick to the skin in case of frostbite. If irritation, swelling or blisters appear, seek medical assistance.

2.6.3 Contact with eyes

Rinse immediately using an eyewash or clean water, keeping eyelids open, for at least ten minutes. Seek medical assistance.

2.6.4 Ingestion

Do not induce vomiting. If the injured person is conscious, rinse his/her mouth with water and make him/her drink 200-300ml of water. Seek immediate medical assistance.

2.6.5 Further medical treatment

Treat symptoms and carry out support therapy as indicated. Do not administer adrenaline or similar sympathomimetic drugs following exposure, due to the risk of cardiac arrhythmia.

3. TECHNICAL CHARACTERISTICS

3.1 Unit description

These units are particularly suitable for applications that utilise well water or ground source probes. These units have been designed for use with radiant floor heating systems or those applications where it is necessary to have maximum efficiency when heating. They have been optimized on heating mode and are able to produce water up to 60°C.

These heat pumps are available in several versions. The most simple is a 2 pipe unit that can provide heating only. By fitting an external 3 port valve the unit can provide either heating or domestic hot water. There is also a 4 pipe unit that produces domestic hot water in a separate hydraulic circuit and can generate this irrespective of whether the unit is in heating or cooling mode. All the units are also available in Free Cooling (FC) versions which provide low energy cooling by simply using the cool water that is available from either the ground source probes or the well water. Differing versions and a wide range of accessories, enable the optimal solution to be selected.

3.1.1 Frame

All units are made from hot-galvanised sheet steel, painted with polyurethane powder enamel and stoved at 180°C to provide maximum protection against corrosion. The frame is self-supporting with removable panels. All screws and rivets used are made from stainless steel. The standard colour of the units is RAL 9018.

3.1.2 Refrigerant circuit

The refrigerant utilised is R410A. The refrigerant circuit is assembled using internationally recognised brand name components with all brazing and welding being performed in accordance with ISO 97/23. Each refrigerant circuit is totally independent from the other with the result that any fault or alarm condition on one circuit does not influence the other. The refrigerant circuit includes: sight glass, filter drier, thermal expansion valve with external equalizer, Schrader valves for maintenance and control and pressure safety device (for compliance with PED regulations).

3.1.3 Compressors

The compressors used are a high performance scroll type that incorporates a special scroll design which enhances the efficiency of the refrigerant cycle when the source temperature is low. The compressors are all supplied with a crankcase heater and thermal overload protection by a klixon embedded in the motor winding. They are mounted in a separate enclosure thus enabling them to be maintained even if the unit is operating. Access to this enclosure is via the front panel of the unit. The crankcase heater is always powered when the compressor is in stand-by.

3.1.4 Source heat exchanger

Source heat exchanger are braze-welded plates and are made of stainless steel AISI 316. From size 039 to size 162 are single-circuit, from size 190 are all double circuit cross-flow. The use of this type of exchangers greatly reduces the refrigerant charge of the unit compared to the conventional shell and tube evaporators, and increases the efficiency of the refrigerant loads. The heat exchangers are factory insulated with flexible close cell material and are protected by a temperature sensor used as antifreeze protection kit.

3.1.5 User exchangers

The user side heat exchanger is a braze welded, plate type heat exchanger, manufactured from AISI 316 stainless steel. From size 039 to size 162 they have a single water side circuit, from the size 190 they are double circuit, "cross flow" type. All units are supplied with a sub-cooler to enhance the performance of the refrigerant cycle. The user heat exchangers are factory insulated with flexible close cell material.

3.1.6 Electric enclosure

The enclosure is manufactured in order to comply with the requirements of the electromagnetic compatibility standards CEE 73/23 and 89/336. Access to the enclosure is achieved by removing the front panel of the unit. The following components are supplied as standard on all units: main switch, a sequence relay that disables the power supply in the event that the phase sequence is incorrect (scroll compressors can be damaged if they rotate in the wrong direction), thermal overloads (protection of pumps and fans), compressor fuses, control circuit automatic breakers, compressor contactors, fan contactors and pump contactors.

The terminal board has volt free contacts for remote ON-OFF, Summer/Winter change over (heat pumps only) and general alarm.

3.1.7 Microprocessors

All WHA units are supplied as standard with microprocessor controls. The microprocessor controls the following functions: control of the water temperature, antifreeze protection, compressor timing, compressor automatic starting sequence, alarm reset, volt free contact for remote general alarm, alarms and operation LED's. If required (available as an option), the microprocessor can be configured in order for it to connect to a site BMS system thus enabling remote control and management. The Hidros technical depart-

ment can discuss and evaluate, in conjunction with the customer, solutions using MODBUS protocols. The control also manages the anti-legionella program, the integration with other heating sources (electric heaters, boilers, solar panels etc), the operation of a three port modulating valve (for diverting to DHW or heating) and both the heating circuit pump and the domestic hot water circuit pump. If required (available as an option), the microprocessor can be configured in order for it to connect to a site BMS system thus enabling remote control and management. The technical department of the Company can discuss and evaluate, in conjunction with the customer, solutions using MODBUS protocols.

3.1.8 Control and protection devices

All units are supplied with the following control and protection devices: Return user water temperature sensor, antifreeze protection sensor installed on the user outlet water temperature, return and supply, high pressure switch with manual reset, low pressure switch with automatic reset, high pressure safety valve, compressor thermal overload protection, fans thermal overload protection, pressure transducer (used to optimize the defrost cycle and the fan speed depending on the ambient conditions), flow switch.

3.2 Other versions

3.2.1 Heating + Domestic hot water production version (SW5)

This version is able to produce domestic hot water. It is supplied with an ON/OFF 3 way valve that diverts the water flow to a circuit for hot water production. These units are not available in the reversible version (RV) and cannot produce cold water.

3.2.2 Reversible version heating/cooling (RV)

This version can be used for cooling during summer operation by using a 4 way reversing valve in the refrigerant circuit. They are also fitted with a second thermostatic valve and a liquid receiver.

3.2.3 Reversible version heating/cooling/domestic hot water (RV/SW6)

This version is fitted with an additional heat exchanger, used as a condenser, to produce domestic hot water irrespective of the operation mode of the unit. The activation of the additional heat exchanger is performed automatically by the microprocessor control when the domestic hot water temperature, measured by the sensor, is lower than the required set point. If, during the summer months, the unit is operating on cooling, this version can produce hot and cold water simultaneously. This version is equipped with return and supply domestic hot water sensors and an advanced control panel with specific software for management of the system priorities.

3.2.4 Free cooling versions (FC; FC/RV; FC/SW5; FC/RV/SW6)

These versions, in addition to the characteristics described above, can produce cold water during summer operation using the cold water available from the source ground probes. All free cooling versions are supplied with an intermediate heat exchanger and a 3 way valve that modulates the water flow to the user circuit depending on the required user cold water temperature.

During free cooling mode the compressors may be off or in operation (part load or full operation) to increase the free cooling capacity.

3.3 Accessories description

3.3.1 Low noise version (LS)

This version includes the complete acoustic insulation of the unit (compressor + heat exchangers vanes) with compressor jackets and insulating material made with high density media and the interposition of heavy bitumen layer.

3.3.2 Rubber vibration dampers (KAVG)

To be installed beneath the unit base and the ground to avoid the transmission of vibrations (and the noise) to the building.

3.3.3 Spring vibration dampers (KAVM)

To be installed beneath the unit base and the ground to avoid the transmission of vibrations (and the noise) to the building.

3.3.4 Pressure gauges (MAML)

These enable the standing charge and the operating pressures to be monitored.

3.3.5 Electronic soft starter (DSSE)

It is used to reduce the peak current of the unit; the average reduction is 40% of the nominal peak current.

3.3.6 Remote control panel(PCRL)

It allows the remote control of all parameters of the unit.

3.3.7 RS485 serial interface card MODBUS protocol (INSE)

It is used to connect the unit to BMS systems using MODBUS protocol.

3.3.8 Source water 2 way modulating valve (4-20 mA; 0-10 V) (V2MO)

2-way modulating valve is factory installed in the hydraulic circuit at the source side, to optimize the consumption of well water as a function of the temperature of the available water. The valve is controlled by the microprocessor control unit by modulating signal 0-10V. In the event of lack of power supply, the valve is normally closed.

3.3.9 Liquid line solenoid valve (VSLI)

When the unit is in stand-by mode, it avoids the translation of the liquid freon toward the compressor.

3.3.10 Electronic expansion valve (VTEE)

The electronic expansion valve enables the maximum possible efficiency to be achieved by maximising the evaporator heat exchange, minimising the reaction time to load variations and optimising the superheat . It is strongly recommended for use in systems that will experience large load variations.

3.3.11 Integrated hydraulic kit (S1NT)

Heat pumps have available, as an option, a built in hydraulic kit that incorporates a water pump, centrifugal type, suitable for chilled water operation. The pump is directly controlled by the microprocessor.

Also provided in the hydraulic circuit are an expansion vessel, pressure relief valve and system isolating valves with fittings.

3.4 Technical data

Versions WHA		039	045	050	060	070	080	090	110	120	130
Refrigerant		R410A	R410A	R410A	R410A	R410A	R410A	R410A	R410A	R410A	R410A
Heating capacity ⁽¹⁾	kW	51,7	59,0	71,2	80,0	92,5	105,9	120,8	136,1	152,0	169,2
Total input power ⁽¹⁾	kW	9,8	11,0	12,5	14,3	16,9	19,4	22,2	24,9	28,3	31,6
User water flow ⁽¹⁾	m ³ /h	8,8	10,1	12,3	13,8	15,8	18,1	20,6	23,2	25,9	28,8
C.O.P. ⁽¹⁾	W/W	5,3	5,4	5,7	5,6	5,5	5,5	5,4	5,5	5,4	5,4
Heating capacity ⁽²⁾	kW	38,9	44,2	53,9	60,3	69,5	79,5	89,9	100,7	112,5	125,6
Total input power ⁽²⁾	kW	9,5	10,8	12,3	14,1	16,4	18,6	21,3	23,9	27,2	30,5
C.O.P. ⁽²⁾	W/W	4,1	4,1	4,4	4,3	4,2	4,3	4,2	4,2	4,1	4,1
Cooling capacity ⁽³⁾	kW	59,8	68,1	83,9	94,0	107,8	124,1	142,5	161,8	178,7	198,5
Total input power ⁽³⁾	kW	10,3	11,3	13,1	14,9	17,4	19,6	23,0	26,4	29,8	33,1
E.E.R. ⁽³⁾	W/W	5,8	6,0	6,4	6,3	6,2	6,3	6,2	6,1	6,0	6,0
Cooling capacity ⁽⁴⁾	kW	42,9	49,0	60,3	67,4	77,5	88,9	101,3	114,3	126,9	141,2
Total input power ⁽⁴⁾	kW	10,0	11,3	12,9	14,7	17,4	19,9	22,7	25,5	29,0	32,3
E.E.R. ⁽⁴⁾	W/W	4,3	4,3	4,7	4,6	4,4	4,5	4,5	4,5	4,4	4,4
User water flow FC	m ³ /h	7,4	8,5	10,5	11,7	13,4	15,4	17,6	19,8	22,0	24,5
Free cooling input power ⁽⁵⁾	Kw	22,8	22,9	36,0	36,3	36,6	49,3	71,0	72,4	73,5	74,1
Max input current	A	32,0	42,0	44,0	50,0	59,0	68,0	74,0	80,0	88,5	97,0
Peak current	A	111,0	132,0	140,0	143,0	199,0	208,0	259,0	265,0	312,0	320,5
Power supply	V/Ph/Hz	400/3/50	400/3/50	400/3/50	400/3/50	400/3/50	400/3/50	400/3/50	400/3/50	400/3/50	400/3/50
Compressors scroll / n° circuit	n°	2/1	2/1	2/1	2/1	2/1	2/1	2/1	2/1	2/1	2/1
Capacity steps	n°	2	2	2	2	2	2	2	2	2	2
Sound power level ⁽⁶⁾	dB(A)	80	80	81	82	82	83	83	84	84	85
Sound pressure level ⁽⁷⁾	dB(A)	52	52	53	54	54	55	55	56	56	57

Performance refer to the following conditions:

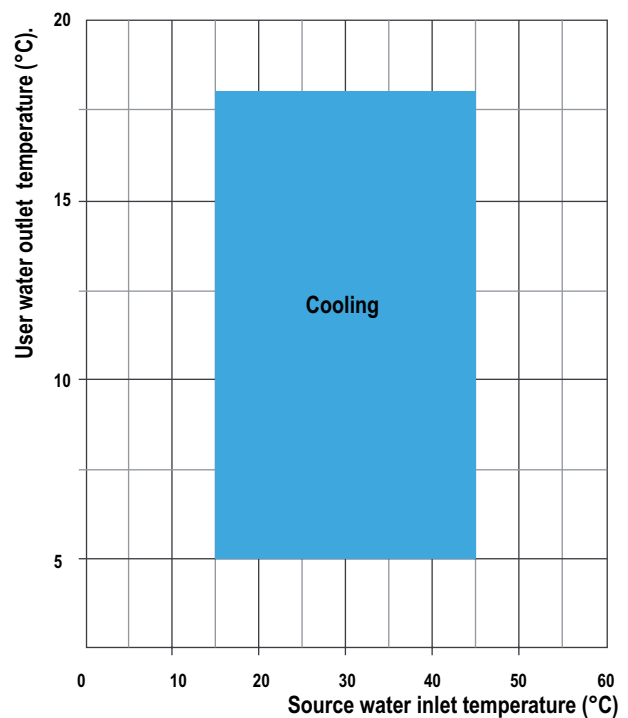
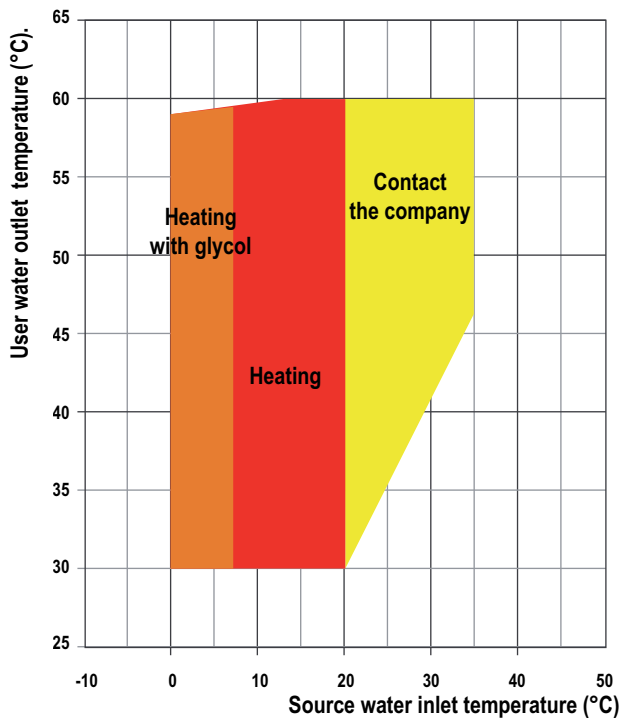
- (1) Heating: user water temperature 30/35°C, source water temperature 10/7°C.
- (2) Heating: user water temperature 30/35°C, source water temperature 0/-3°C con 10% glycol.
- (3) Cooling: user water temperature 23/18°C, source water temperature 30/35°C.
- (4) Cooling: user water temperature 12/7°C, source water temperature 30/35°C.
- (5) Cooling: user water temperature 10°C, source water temperature 20°C.
- (6) Sound power level in accordance with ISO 9614 (LS version).
- (7) Sound pressure level at 10 mt from the unit in free field conditions direction factor Q=2, calculated in accordance with ISO 9614 (LS version).

Versions WHA		152	162	190	210	240	260	300	320	380	430	500
Refrigerant		R410A	R410A	R410A	R410A	R410A	R410A	R410A	R410A	R410A	R410A	R410A
Heating capacity ⁽¹⁾	kW	195,0	222,1	243,8	271,3	306,9	342,2	390,9	439,4	516,5	585,5	658,2
Total input power ⁽¹⁾	kW	36,8	41,0	45,1	51,0	57,3	63,6	72,5	81,4	95,9	109,8	123,2
User water flow ⁽¹⁾	m ³ /h	33,2	38,0	40,4	45,0	51,4	57,7	66,6	75,0	87,9	99,5	112,4
C.O.P. ⁽¹⁾	W/W	5,3	5,4	5,4	5,3	5,3	5,4	5,4	5,4	5,4	5,3	5,3
Heating capacity ⁽²⁾	kW	140,4	159,1	177,8	196,0	222,9	249,7	283,3	316,8	372,9	418,5	467,9
Total input power ⁽²⁾	kW	35,1	39,2	43,1	48,7	54,9	61,0	69,4	77,9	92,0	105,1	117,9
C.O.P. ⁽²⁾	W/W	4,0	4,0	4,1	4,0	4,1	4,1	4,1	4,1	4,1	4,0	4,0
Cooling capacity ⁽³⁾	kW	231,4	265,2	289,5	321,7	363,7	405,3	462,9	520,1	604,9	681,6	766,1
Total input power ⁽³⁾	kW	38,9	43,7	47,0	54,2	60,5	66,8	76,5	86,2	100,5	115,7	130,3
E.E.R. ⁽³⁾	W/W	5,9	6,1	6,1	5,9	6,0	6,1	6,1	6,0	6,0	5,9	5,9
Cooling capacity ⁽⁴⁾	kW	163,6	187,4	200,0	222,3	254,3	286,7	328,1	368,5	430,2	492,9	556,7
Total input power ⁽⁴⁾	kW	37,8	42,2	45,1	51,0	57,4	63,8	74,3	83,4	98,3	110,3	123,7
E.E.R. ⁽⁴⁾	W/W	4,3	4,4	4,4	4,3	4,4	4,4	4,4	4,4	4,4	4,3	4,3
User water flow FC	m ³ /h	28,4	32,6	34,3	38,1	43,6	49,2	56,9	64,0	75,0	84,5	95,5
Free cooling input power ⁽⁵⁾	Kw	93,1	94,0	125,9	127,6	129,5	162,0	164,4	203,0	167,1	168,6	207,4
Max input current	A	113,9	130,8	148,0	160,0	177,0	194,0	227,8	261,6	291,0	341,7	392,4
Peak current	A	358,5	375,4	333,0	345,0	400,5	417,5	472,4	506,2	514,5	586,3	637,0
Power supply	V/Ph/Hz	400/3/50	400/3/50	400/3/50	400/3/50	400/3/50	400/3/50	400/3/50	400/3/50	400/3/50	400/3/50	400/3/50
Compressors scroll / n° circuit	n°	2/1	2/1	4/2	4/2	4/2	4/2	4/2	4/2	6/2	6/2	6/2
Capacity steps	n°	2	2	4	4	4	4	4	4	6	6	6
Sound power level ⁽⁶⁾	dB(A)	85	85	86	88	88	88	90	90	92	92	92
Sound pressure level ⁽⁷⁾	dB(A)	57	57	58	60	60	60	62	62	64	64	64

Performance refer to the following conditions:

- (1) Heating: Source exchanger ambient temperature 10/7°C, user exchanger water temperature 35/30°C.
- (2) Heating: Source exchanger ambient temperature 0/-3°C, user exchanger water temperature 35/30°C.
- (3) Cooling: Source exchanger ambient temperature 23/18°C, user exchanger water temperature 35/30°C.
- (4) Cooling: Source exchanger ambient temperature 12/7°C, user exchanger water temperature 35/30°C.
- (5) FreeCooling: Source Water input temperature 10°C, User water return temperature 20°C, compressors off.
- (6) Sound power level in accordance with ISO 9614 (LS Version).
- (7) Sound pressure level at 1 mt from the unit in free field conditions direction factor Q=2, calculated in accordance with ISO 9614 (LS Version).

3.5 Operation limits



3.5.1 User heat exchanger water flow rate

The nominal water flow rate given is referred to a Δt of 5 °C. Maximum flow rate allowed is the one that presents a Δt of 3 °C: higher values may cause too high pressure drop. The minimum water flow rate allowed is the one presenting a Δt of 8 °C. Insufficient values cause too low evaporating temperatures with the action of safety devices which would stop the unit.

3.5.2 User hot water temperature (winter operation)

Once the system is on temperature, the minimum user water temperature should not be less than 30 °C: Lower values could cause incorrect working operation of the compressor and compressor failure may occur. The maximum user outlet water temperature cannot exceed 60 °C; higher values may call the action of safety devices which would stop the unit.

3.5.3 User cold water temperature (summer operation)

The minimum user outlet water temperature allowed is 5 °C. To operates below this limit the unit should need some structural modifications. In this case please contact our company. The maximum user outlet water temperature 18 °C.

3.5.4 Source water temperature

The minimum source water outlet temperature is, in heating mode, 7 °C. To operates below this limit a glycol mixture must be used. In case of use with this glycol mixture the minimum source water outlet temperature is -5 °C. The maximum source water outlet temperature is 20 °C.



Units are designed and manufactured to European safety and technical standards. The units have been designed exclusively for heating, cooling and domestic hot water production (D.H.W.). The units must be used for this specific purpose only.
The Company will not be liable for claims for damage caused to persons, animals or material goods or property caused by improper installation, adjustment and maintenance or improper use. Any use not specified in this manual is prohibited.



In case of operations outside of these values, please contact the company.

3.6 Domestic hot water production

The production of domestic hot water through heat pump is a sensitive issue that deserves proper consideration. There are several systems of domestic hot water production by using heat pumps, each of which brings advantages and disadvantages. It is not subject of this manual to deal with the matter in depth and in the case, please contact the company for all the appropriate solutions.

In general, we can say that there are two main solutions, in the market, concerning the domestic hot water production:

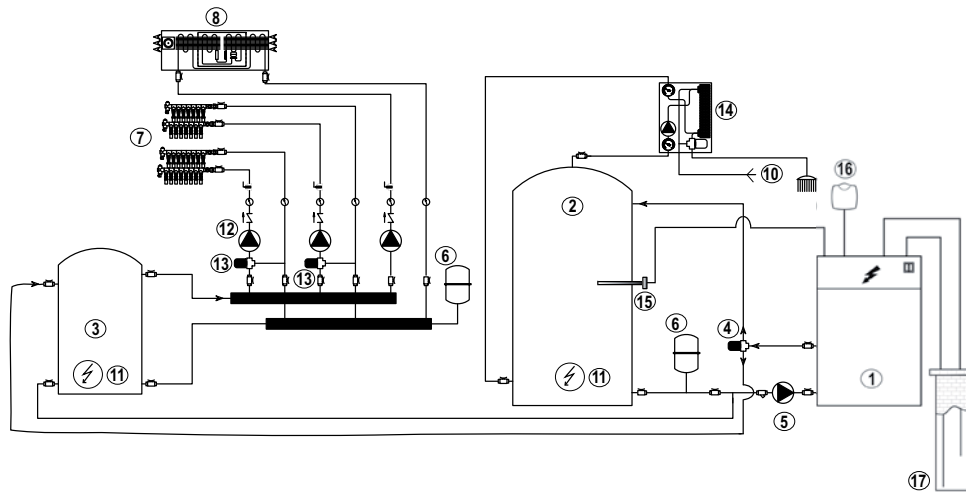
3.6.1 Solution 1

This is the standard solution for new buildings where space and general plant layout can be designed for the specific application.

It consists in the production of the domestic hot water “instantaneously”, by using a instant heat exchanger (heat station), combined to a “technical water” accumulator at constant temperature. In such way we can obtain 3 main advantages:

- Domestic hot water quality . Because you are not storing the domestic hot water in a tank, it is not necessary to heat the water to higher temperatures to bacteriologically disinfect. The legionella bacteria is present only in still water.
- Energy efficient the “technical water” present in the tank, is stored at a temperature just few degrees higher than the required domestic hot water temperature and it is not necessary to increase the temperature of the tank at 63-65°C (temperature at which the legionella bacteria is killed). In this way it can be also possible to avoid the use of integration electric heaters or to keep them just in case of heat pump malfunctions or in very severe ambient conditions.
- Reduction of the fouling phenomena resulting in increased operational life of the plant.

In this case, the domestic hot water heat exchanger must be connected to a storage tank in a closed circuit. Please contact the company for the correct sizing. To connect the DHW domestic hot water cylinder it is required to install all the components mentioned in the above picture. The cylinder is fitted with a heat exchanger (copper coil or plate heat exchanger, depending on the version). The heat pump has to be connected to the volume of the storage cylinder. This is required to guarantee the correct operation of the unit, avoiding frequent start and stops of the compressors. The DHW water inlet and outlet are connected to the heat exchanger. This ensures direct heat exchange between the “technical” water stored in the cylinder and the flowing domestic hot water inside the heat exchanger. It is recommendable to control the temperature of the supplied domestic hot water by a thermostatic valve.



1	Heat pump	2	DHW Domestic hot water cylinder
3	Buffer storage tank	4	3 way ON/OFF valve Heating/DHW production
5	Primary circuit user water pump	6	Expansion vessel
7	Underfloor heating system	8	Dehumidifier / Cooling
9	Domestic hot water supply	10	Domestic cold water
11	Integration electric heater	12	Secondary circuit user water pumps
13	Underfloor heating modulating valves	14	Instantaneous domestic hot water producer
15	Domestic hot water sensor	16	Weather compensation sensor
17	Integrative source		

3.6.2 Solution 2

This is the solution for existing buildings or for those applications where it is not possible to remove existing plants.

It consists in the accumulation of the domestic hot water inside the existing DHW water tank (that possibly is not designed properly for the combination with the new heat pump), by using the heat exchanger already present in the DHW tank.

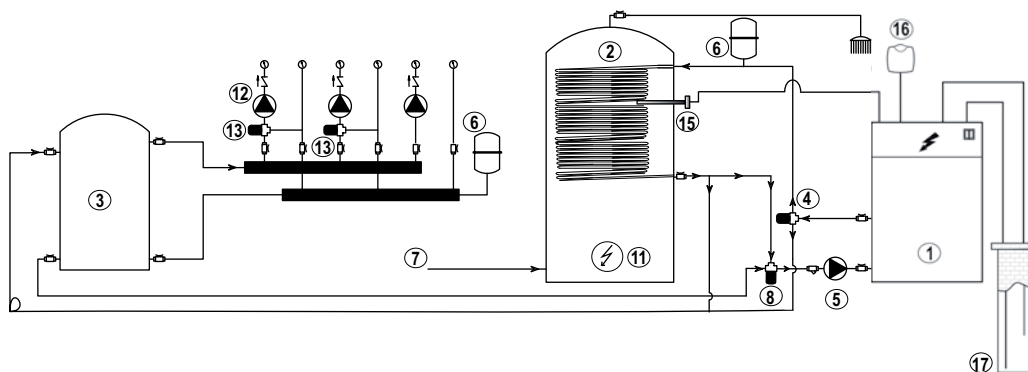
In such way we can not obtain many advantages, just the **possibility of using the existing DHW tank**.

This system can be considered a compromise between costs and efficiency and need to be set correctly in order to have enough domestic hot water at the tap. The main risk of such systems is the incorrect sizing of the heat exchanger inside the DHW tank, who implies the frequent start and stop of the heat pump and possible frequent high pressure alarms. This happens due to the fact that the heat pump dissipates a much higher thermal capacity than the maximum possible allowed by the DHW heat exchanger. The result is a heat pump is frequently in stand-by operation, possible frequent high pressure alarms, and **COLD WATER in the tank**.

To help the heat pump in this solution, it is necessary to install a 3 way modulating valve (8) as shown in the below drawing. The valve, depending on the water temperature measured by the return sensor installed, standard, in the LZT units, modulates the opening of the by-pass port, going to the user system, in order to use, **AS MUCH AS POSSIBLE**, the capacity of the existing heat exchanger. The 3 way valve (8) can be managed by the unit microprocessor.



This solution is only available in the two pipe systems. It can not be applied to units in 4 pipe systems version.



1	Heat pump	2	DHW Domestic hot water cylinder
3	Buffer storage tank	4	3 way ON/OFF valve Heating/DHW production
5	Primary circuit user water pump	6	Expansion vessel
7	Domestic cold water	8	3 way mixing valve
9	Domestic hot water supply	11	Integration electric heater
12	Secondary circuit user water pumps	13	Underfloor heating modulating valves
15	Domestic hot water sensor	16	Weather compensation sensor
17	Integrative source		



The 3 way valve **MUST** have a maximum opening time period of 35 seconds. Longer opening time periods can create malfunctioning of the system with possible high pressure alarm in the heat pump.



The standard factory set point temperature of the return sensor is 53°C.

3.7 Compressor capacity steps

Model	NUMBER of COMPRESSORS					
	1	2	3	4	5	6
039	50%	50%	---	---	---	---
045	50%	50%	---	---	---	---
050	50%	50%	---	---	---	---
060	44%	56%	---	---	---	---
070	50%	50%	---	---	---	---
080	50%	50%	---	---	---	---
090	43%	57%	---	---	---	---
110	50%	50%	---	---	---	---
120	45%	55%	---	---	---	---
130	50%	50%	---	---	---	---
152	44%	56%	---	---	---	---
162	50%	50%	---	---	---	---
190	21,5%	21,5%	28,5%	28,5%	---	---
210	25%	25%	25%	25%	---	---
240	22,5%	22,5%	27,5%	27,5%	---	---
260	25%	25%	25%	25%	---	---
300	22%	22%	28%	28%	---	---
320	25%	25%	25%	25%	---	---
380	16%	16%	16%	16%	16%	16%
430	15%	18,3%	18,3%	18,3%	15%	15%
500	16,6%	16,6%	16,6%	16,6%	16,6%	16,6%

3.8 Correction tables

3.8.1 Operation with glycol

Glycol percentage	Freezing point (°C)	CCF	IPCF	WFCF	PDCF
10	-3.2	0.985	1	1.02	1.08
20	-7.8	0.98	0.99	1.05	1.12
30	-14.1	0.97	0.98	1.09	1.22
40	-22.3	0.965	0.97	1.14	1.25
50	-33.8	0.955	0.965	1.2	1.33

CCF: Capacity correction factor

IPCF: Input power correction factor

WFCF: Water flow correction factor

PDCF: Pressure drops correction factor

The water flow rate and pressure drop correction factors are to be applied directly to the values given for operation without glycol. The water flow rate correction factor is calculated in order to maintain the same temperature difference as that which would be obtained without glycol. The pressure drop correction factor takes into account the different flow rate obtained from the application of the flow rate correction factor.

3.8.2 Correction tables different Δt

Water temperature diff.(°C)	3	5	8
CCCP	0.99	1	1.02
IPCF	0.99	1	1.01

CCCP = Cooling capacity correction factor

IPCF = Input power correction factor

3.8.3 Correction tables different Fouling factors

Fouling factor	0.00005	0.0001	0.0002
CCCP	1	0.98	0.94
IPCF	1	0.98	0.95

CCCP = Cooling capacity correction factor

IPCF = Input power correction factor

3.9 Sound data

LOW NOISE VERSION (LS)											
Mod.	Octave bands (Hz)								Lw		Lp
	63	125	250	500	1K	2K	4K	8K	dB	dB(A)	dB(A)
	dB	dB	dB	dB	dB	dB	dB	dB			
039	93,1	84,3	78,2	76,7	75,6	70,2	66,8	57,7	93,9	80	52
045	93,1	84,3	78,2	76,7	75,6	70,2	66,8	57,7	93,9	80	52
050	94,1	85,3	79,2	77,7	76,6	71,2	67,8	58,7	94,9	81	53
060	95,1	86,3	80,2	78,7	77,6	72,2	68,8	59,7	95,9	82	54
070	95,1	86,3	80,2	78,7	77,6	72,2	68,8	59,7	95,9	82	54
080	96,1	87,3	81,2	79,7	78,6	73,2	69,8	60,7	96,9	83	55
090	96,1	87,3	81,2	79,7	78,6	73,2	69,8	60,7	96,9	83	55
110	97,1	88,3	82,2	80,7	79,6	74,2	70,8	61,7	97,9	84	56
120	97,1	88,3	82,2	80,7	79,6	74,2	70,8	61,7	97,9	84	56
130	98,1	89,3	83,2	81,7	80,6	75,2	71,8	62,7	98,9	85	57
152	98,1	89,3	83,2	81,7	80,6	75,2	71,8	62,7	98,9	85	57
162	98,1	89,3	83,2	81,7	80,6	75,2	71,8	62,7	98,9	85	57
190	99,1	90,3	84,2	82,7	81,6	76,2	72,8	63,7	99,9	86	58
210	101,1	92,3	86,2	84,7	83,6	78,2	74,8	65,7	101,9	88	60
240	101,1	92,3	86,2	84,7	83,6	78,2	74,8	65,7	101,9	88	60
260	101,1	92,3	86,2	84,7	83,6	78,2	74,8	65,7	101,9	88	60
300	103,1	94,3	88,2	86,7	85,6	80,2	76,8	67,7	103,9	90	62
320	103,1	94,3	88,2	86,7	85,6	80,2	76,8	67,7	103,9	90	62
380	105,1	96,3	90,2	88,7	87,6	82,2	78,8	69,7	105,9	92	64
430	105,1	96,3	90,2	88,7	87,6	82,2	78,8	69,7	105,9	92	64
500	105,1	96,3	90,2	88,7	87,6	82,2	78,8	69,7	105,9	92	64

Lw: Sound power level according to ISO 9614.

Lp: Sound pressure level measured at 1 mt from the unit in free field conditions direction factor Q=2 according to ISO 9614.



The sound pressure level of the STANDARD VERSIONS without compressor jackets and compressor insulation is approx. 1,5 dB(A) higher than the equivalent low noise versions LS.

4. INSTALLATION

4.1 General safety guidelines and use of symbols



Before undertaking any task the operator must be fully trained in the operation of the machines to be used and their controls. They must also have read and be fully conversant with all operating instructions.



All maintenance must be performed by TRAINED personnel and be in accordance with all national and local regulations.



The installation and maintenance of the unit must comply with the local regulations in force at the time of the installation.



Avoid contact and do not insert any objects into moving parts.

4.2 Health and safety Considerations



The workplace must be kept clean, tidy and free from objects that may prevent free movement. Appropriate lighting of the work place shall be provided to allow the operator to perform the required operations safely. Poor or too strong lighting can cause risks.



Ensure that work places are always adequately ventilated and that respirators are working, in good condition and comply fully with the requirements of the current regulations.

4.3 Personal protective equipment



When operating and maintaining the unit, use the following personal protective equipment listed below, required by law.



Protective footwear.



Eye protection.



Protective gloves.



Respiratory protection.



Hearing protection.

4.4 Inspection

When installing or servicing the unit, it is necessary to strictly follow the rules reported on this manual, to conform to all the specifications of the labels on the unit, and to take any possible precautions of the case. Not observing the rules reported on this manual can create dangerous situations. After receiving the unit, immediately check its integrity. The unit left the factory in perfect conditions; any eventual damage must be questioned to the carrier and recorded on the Delivery Note before it is signed. The company must be informed, within 8 days, of the extent of the damage. The Customer should prepare a written statement of any severe damage.

Before accepting the unit check:

- The unit did not suffer any damage during transport;
- The delivered goods are conforming to what shown in the delivery note.

In Case of Damage

- List the damage on the delivery note
- Inform the Company of the extent of the damage within 8 days of receipt of the goods. After this time any claim will not be considered.
- A full written report is required for cases of severe damage.

4.5 Storage

Units should be stored under cover and ideally, should remain in their packaging. The tools that are supplied for opening the electric box should be formally transferred to the person responsible for the plant.

4.6 Unpacking



Packaging could be dangerous for the operators.

It is advisable to leave packaged units during handling and remove it before the installation. The packaging must be removed carefully to prevent any possible damage to the machine. The materials constituting the packaging may be different in nature (wood, cardboard, nylon, etc.).

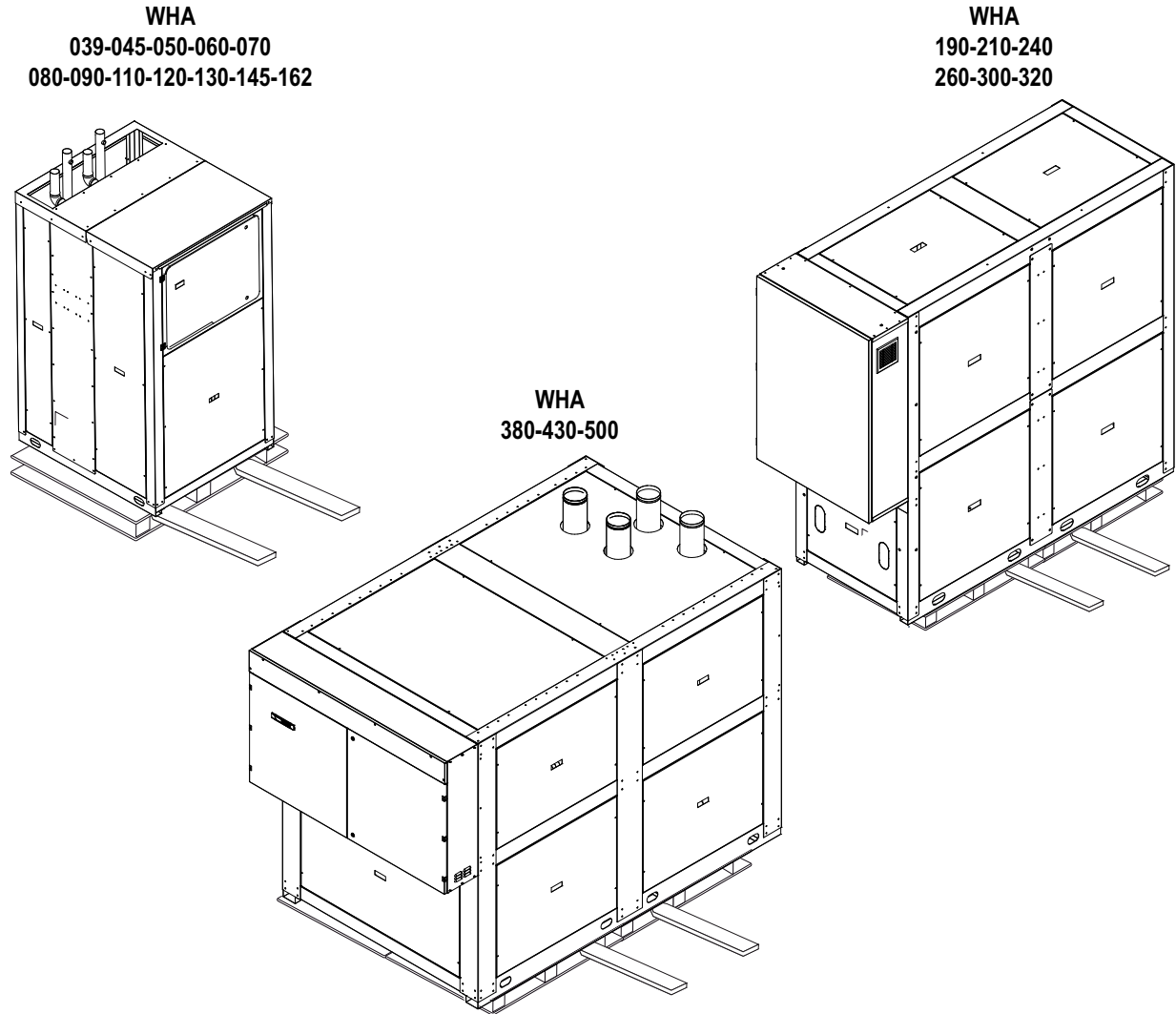


The packaging materials should be separated and sent for disposal or possible recycling to specialist waste companies.

Prior to unpacking and installing the unit, it is prudent to read this manual, note the information provided on the labels on the unit and to take all precautions required for safe working and to avoid damage. Non compliance with the warnings can create dangerous situations.

4.7 Lifting and handling

When unloading the unit, it is highly recommended to avoid any sudden move in order to protect refrigerant circuit, copper tubes or any other unit component. Units can be lifted by using a forklift or, in alternative, using belts, being sure that the method of lifting does not damage the lateral panels and the cover. It is important to keep the unit horizontal at all time to avoid damages to the internal components.



4.8 Location and minimum technical clearances

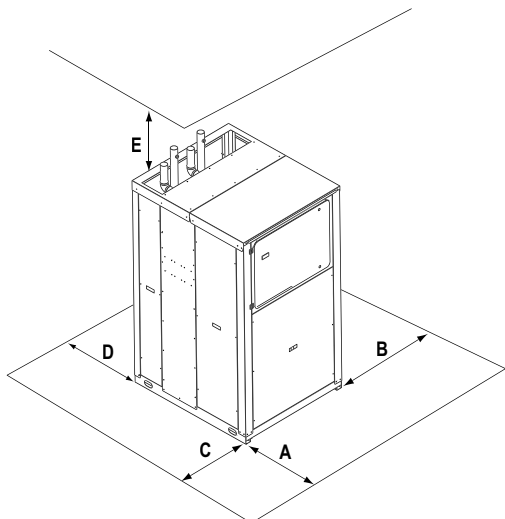


The unit has to be installed such that maintenance and repair is possible. The warranty does not cover costs for the provision of lifting apparatus, platforms or other lifting systems required to perform repairs during warranty period.



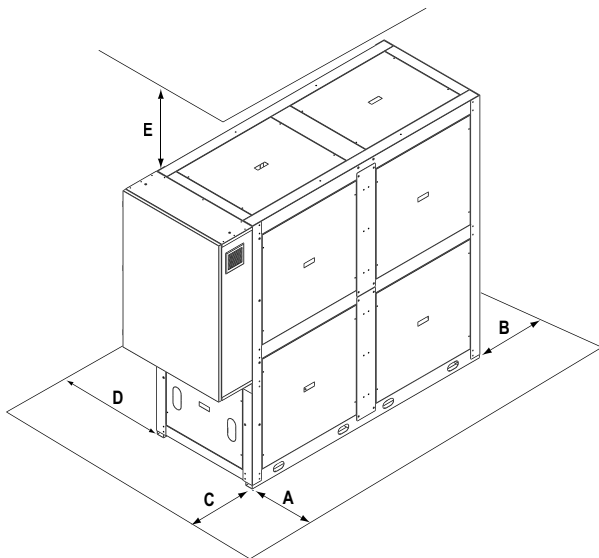
The installation site should be chosen in accordance with EN 378-1 and 378-3 standards. When choosing the installation site, all risks caused by accidental refrigerant leakage should be taken into consideration.

All models are designed and built for indoor installations, it is a good idea to create a base of support to those of the appropriate size, the units transmit to a low level of ground vibration: it is advisable to interpose between the frame base and the ground plane of vibration absorbers (spring or rubber), In this regard it is necessary to guarantee the minimum service below.

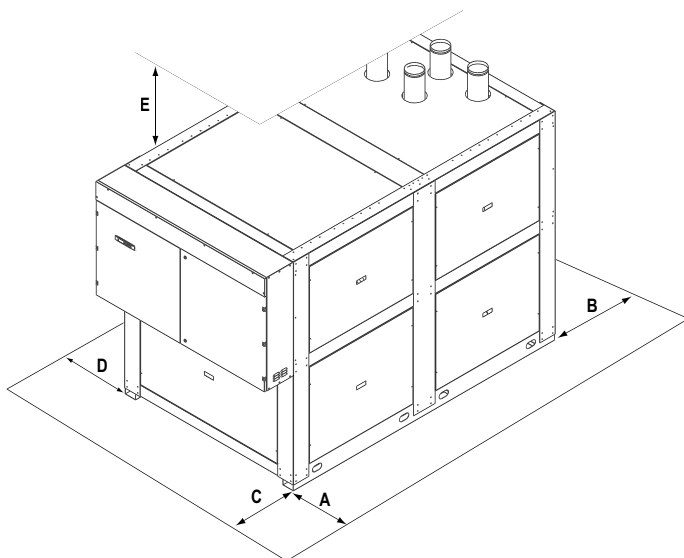


Mod.	A	B	C	D*	E
039	1000	500	600	0	500
045	1000	500	600	0	500
050	1000	500	600	0	500
060	1000	500	600	0	500
070	1000	500	600	0	500
080	1000	500	600	0	500
090	1000	500	600	0	500
110	1000	500	600	0	500
120	1000	500	600	0	500
130	1000	500	600	0	500
152	1000	500	800	0	500
162	1000	500	800	0	500

* minimum 600 mm when using hydraulic kit S1NT



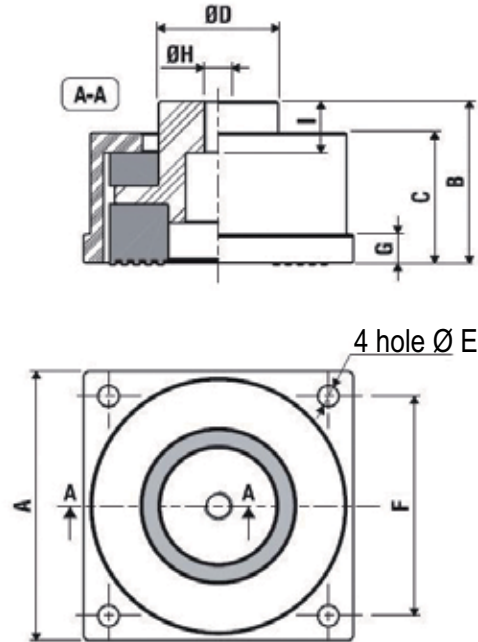
Mod.	A	B	C	D	E
190	1000	500	800	1000	500
210	1000	500	800	1000	500
240	1000	500	800	1000	500
260	1000	500	800	1000	500
300	1000	500	800	1000	500
320	1000	500	800	1000	500



Mod.	A	B	C	D	E
380	1000	500	800	1000	500
430	1000	500	800	1000	500
500	1000	500	800	1000	500

4.9 Installation of rubber vibration dampers (KAVG)

All units should be installed on vibration dampers in order to prevent the transmission of vibration to the supporting surface and reduce the noise level. Rubber vibration dampers are available as an option in the catalogue. The vibration dampers (optional) are supplied by the factory in separate packaging.



A	B	C	D	E	F	G	H	I
80	55	44	25	6,5	67	8	M12	41

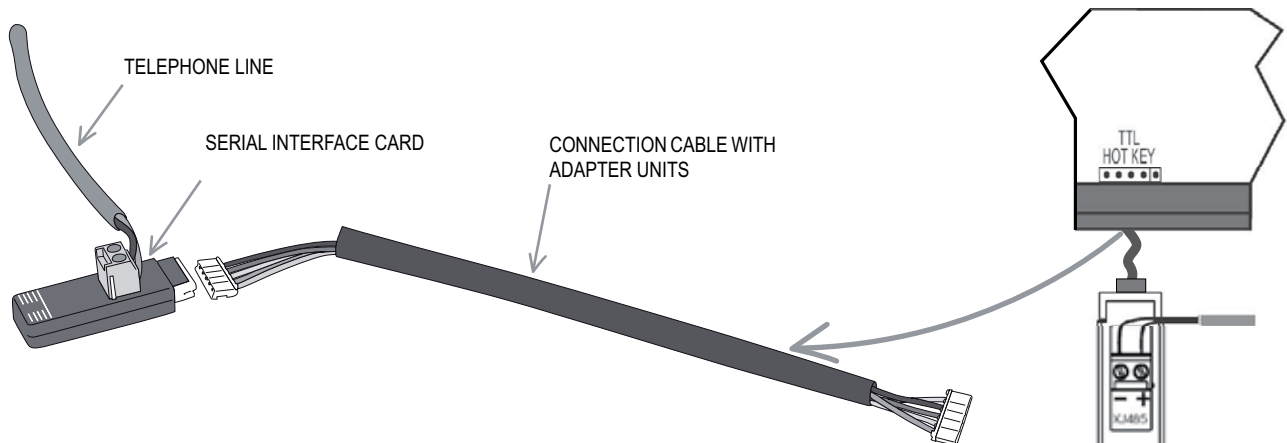
4.10 Serial interface card RS485 (INSE)

Supervision system interface serial board (MODBUS RS485 available only)

The installation of the card will allow the unit to be plugged in and connected to a system with MODBUS protocol. This system allows you to remotely monitor all parameters of the unit and change their values.

The serial interface board is normally fitted at the factory, where it is provided separately is necessary to respect the polarity of the wiring as shown in the diagram. Any reversal of polarity will result in the non-functioning unit. The supervision connectivity cable must be telephone one type 2x0,25 mm².

The unit is configured at the factory with serial address 1. In case of using the MODBUS system, you can request the list of variables by contacting the assistance.



4.11 Source water pump installation

Recently there has been a continuous increase in installations (solution 1 at page 32) where the variable speed source water pump (inverter type) is used.

The company states that it is of fundamental importance the correct flow rate of water source in order to avoid problems of freezing of the source heat exchanger. In this regard it is noted that the source water pump should be exclusively dedicated to the heat pump and, preferably, the ON / OFF type.



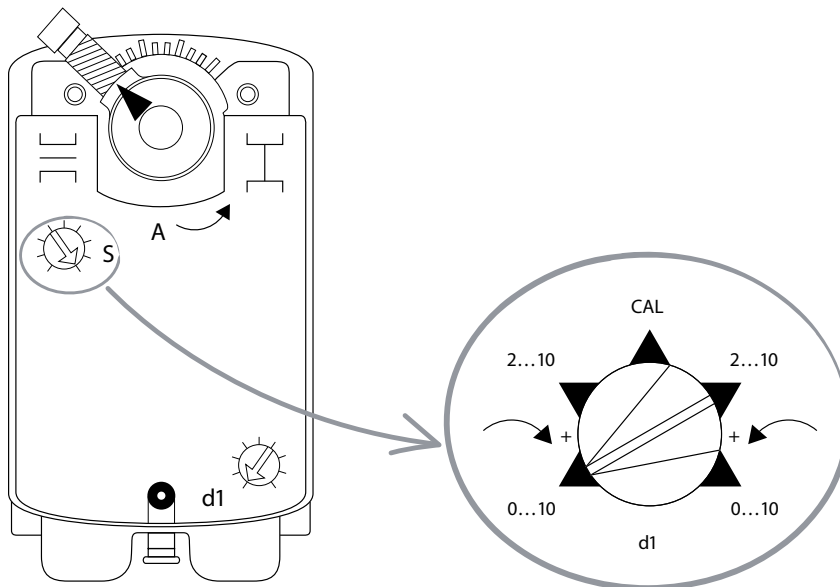
In the case of using the source water pump for other purposes (irrigation, etc..) and you need a variable speed pump (inverter type) , undertakes the installation of the modulating valve V2MO. In these cases, the pump must ensure a constant pressure at the inlet of the source circuit of the heat pump of at least 3 bars, regardless of the type and number of active users.



In case of variation of the water flow to the source circuit there is a risk of freezing of the source heat exchanger. In this case the warranty expires immediately.



The activation of the modulating valve V2MO shows a selector used to vary the type of signal and the sense of rotation of the valve itself. Tampering can undermine the correct operation of the valve precluding security.



4.12 Hydraulic connections

The water pipe-work must be installed in accordance with national and local regulation and can be made from copper, steel, galvanized steel or PVC. The Pipework must be designed to cater for the nominal water flow and the hydraulic pressure drops of the system, a maximum pressure drop of 300 Pa/m run being typical. All pipes must be insulated with closed-cell material of adequate thickness. The hydraulic piping should includes:

- Pockets for temperature sensor to measure the temperature in the system.
- Flexible joints, to isolate the unit from the rest of the system
- Temperature and pressure gauges for maintenance and servicing operations.
- Shut-off manual valves to isolate the unit from the hydraulic circuit.
- Metallic filters to be mounted on the inlet pipe with a mesh not larger than 1 mm.
- Vent valves, expansion tank with water filling, discharge valve.



System return water must be fitted to the connection labelled: "USER WATER IN" as incorrect connection can damage the heat exchanger by freezing.



It is compulsory to install on the USER WATER IN connection, a water strainer with a mesh not larger than 1 mm. Fitting this filter is **COMPULSORY** and the warranty will be invalidated if it is removed. The filter must be kept clean and checked periodically.



All units are factory supplied with a flow switch; the flow switch **MUST BE FITTED** in the pipework connection labelled "USER WATER OUT". If the flow switch is altered, removed, or the water filter omitted on the unit, the warranty will be invalidated.



The water flow through the heat exchangers of the unit should not be fall below Δt 8°C measured at the following conditions:

Heating mode: 10/7°C Dry bulb ambient temperature 35°C water outlet temperature
Cooling mode: 30/35°C dry bulb ambient temperature 7°C water outlet temperature.

4.13 Chemical characteristics of the water

The system is to be filled with clean water and vented after a full flushing operation has been performed; the water should have the following characteristics :

PH	6-8	Total Hardness	Lower Than 50 ppm
Electric conductivity	Lower Than 200 mV/ cm (25°C)	Sulphur ion	None
Chlorine ions	Lower Than 50 ppm	Ammonia ion	None
Sulphuric acid ions	Lower Than 50 ppm	Silicon ion	Lower Than 30 ppm
Total Iron	Lower Than 0,3 ppm		

4.14 User circuit minimum water content



Like any refrigerant unit also the heat pumps need a minimum water content in the user hydraulic circuit to guarantee a correct operation of the units, avoiding a high numbers of start and stop of the compressors that can reduce the working life of the unit.

Model	039	045	050	060	070	080	090	110	120	130
Minimum water content (l)	500	600	700	750	850	1000	1200	1350	1500	1700
Safety valve (bar)	6	6	6	6	6	6	6	6	6	6

Model	152	162	190	210	240	260	300	320	380	430	500
Minimum water content (l)	1900	2100	1200	1350	1500	1700	1900	2100	1500	2000	2100
Safety valve (bar)	6	6	6	6	6	6	6	6	6	6	6

4.15 Installation with source open circuit (water to water heat pump)

The source water circuit of a water to water heat pump is generally an open circuit, with sampling from a well or a water reservoir. The hydraulic source MUST include appropriate safety devices to protect the 3 major problems encountered:

- Corrosion: generated by the chemical composition of ground water;
- Clogging: caused by mud and / or suspended organic and inorganic compounds in groundwater;
- Freezing: caused by too low temperature of the fluid source.

4.16 Chemical characteristics of source water circuit

Carbonic acid dissolved	(CO ₂)	< 5 mg/Kg	Gas chloride free	(Cl ₂)	< 1 mg/Kg
Hydrogen peroxide sulfur	(H ₂ S)	< 0,05 mg/Kg	Manganese	(Mn)	< 0,1 mg/Kg*
Ammonia	(NH ₃)	< 2 mg/Kg	Nitrate	(NO ₃)	< 100 mg/Kg
Chloride	(Cl)	< 100 mg/Kg	Oxygen	(O ₂)	< 2 mg/Kg*
Chloride free	(Cl)	< 0,5 mg/Kg	Sulphate	(SO ₄ ²⁻)	< 50 mg/Kg
Electrical conductivity		>50µS/cm e <600µS/cm	Sulfites	(SO ₃)	< 1 mg/Kg
Iron	(Fe)	< 0,2 mg/Kg*	pH Value		6,5 – 9,0

*An excess of these limits due to a blockage of mud in the source heat exchanger and piping.



Warranty does not cover any damage caused by corrosion, clogging and freezing if attributable to lack and / or incorrect installation of described safety devices



The use of groundwater generally requires approval by the municipality and / or the province. Check with local authorities.



The limit values in the table may cause clogging by mud in the pipes and the heat exchanger.



The maintenance of the quality of ground water is borne by the user and / or maintenance company.



The temperature of source groundwater at the inlet of the source heat exchanger in heating mode, must not fall below 7.8 ° C to avoid freezing problems in the source circuit. The fact is average water cooling of about 3-5 ° C, resulting in temperature of the fluid outlet from the heat pump, in this case an inlet water temperature less than 7 ° C is dangerously close to the temperature of formation of ice.

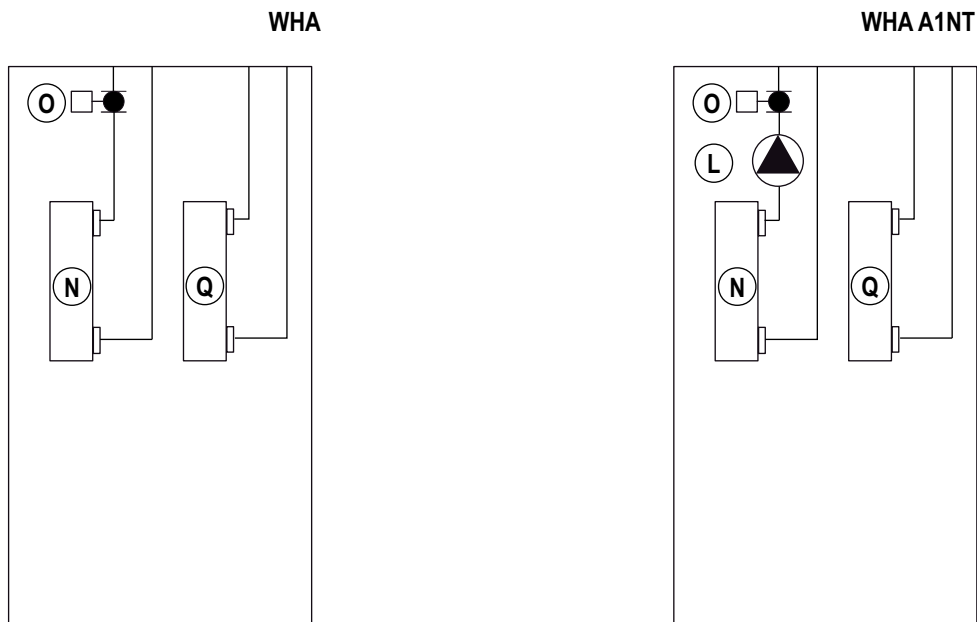


The temperature of the source groundwater at the inlet of source heat exchanger in heating mode, should never exceed 25 ° C as this may activate the control devices and safety unit. For applications with temperatures above 25 ° C groundwater temperature, please contact the company.



In case of installation in sites with ground water temperatures close to the above it is recommended to test for water consumption for a minimum period of 36 consecutive hours (to be made, possibly, towards the end of winter season).

4.17 Hydraulic components



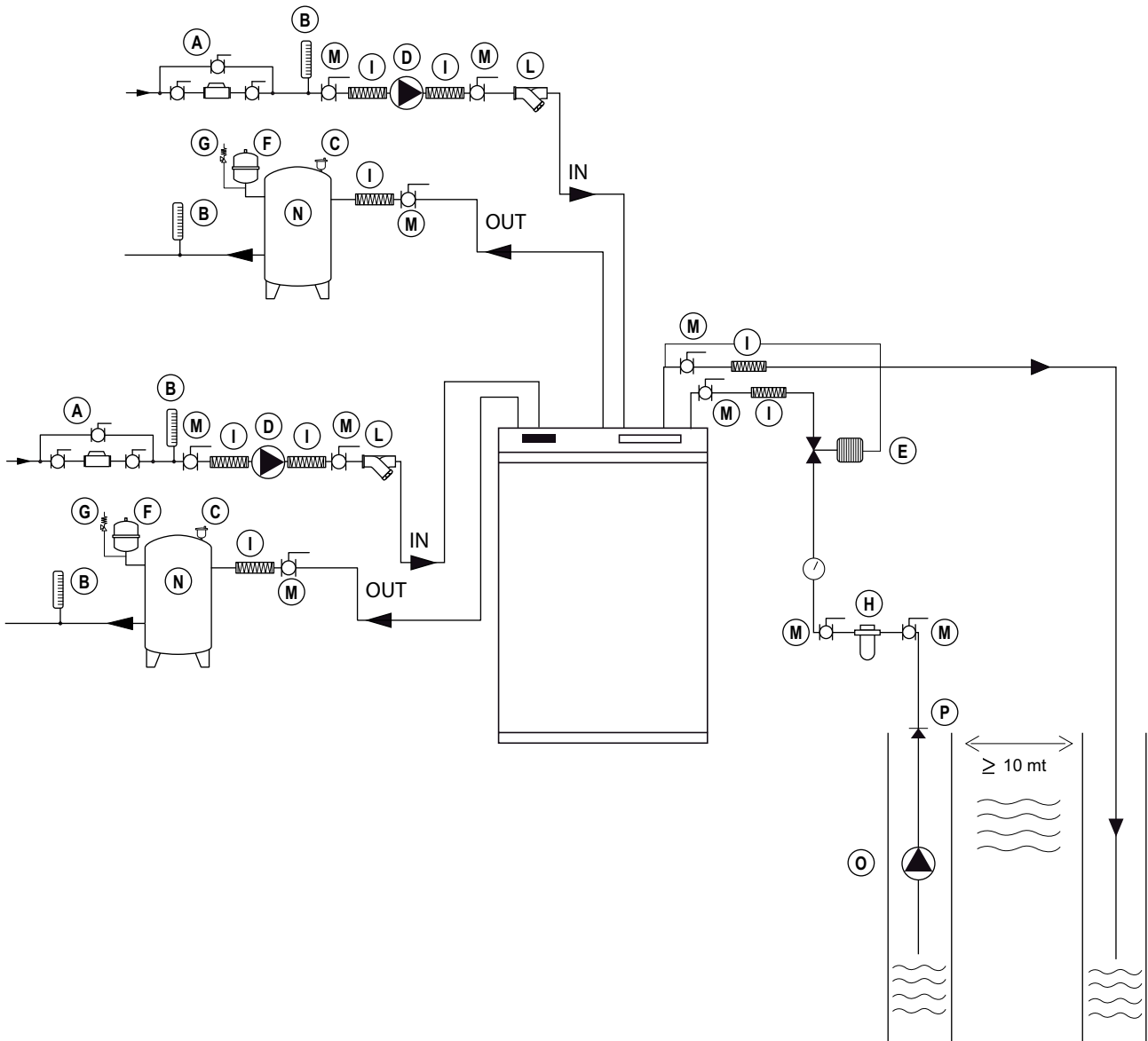
L	Water Pump	O	Flow Switch
N	User heat exchanger	Q	Source heat exchanger

The hydraulic kit includes: single centrifugal pump, suitable for hot and cooled water. The pump is directly managed by the microprocessor. In the hydraulic circuit are also present the safety valve and manual shut-off valves.



If the unit is supplied without a pump, the pump must be installed with the supply side toward the water inlet connection of the unit.

4.17.1 Solution 1



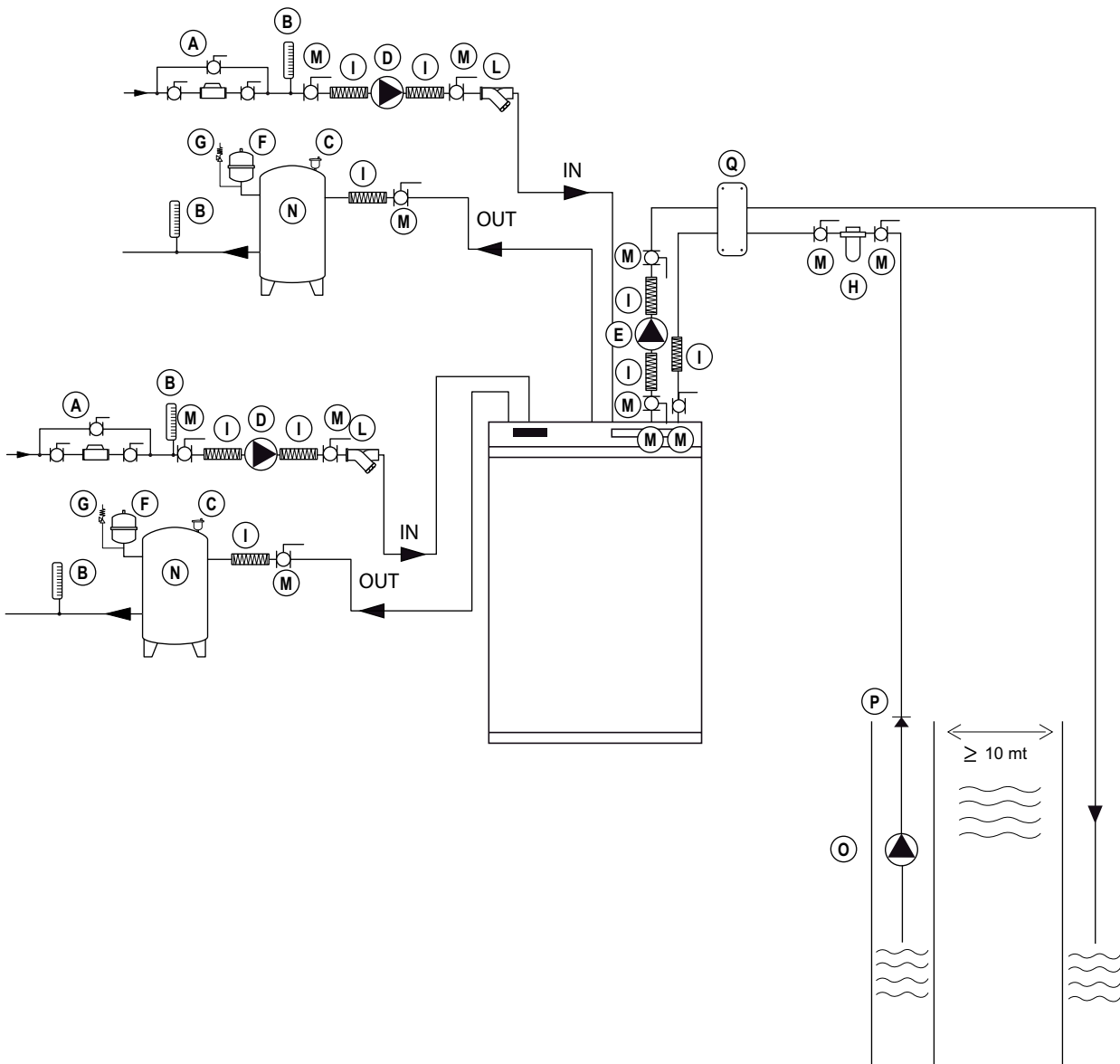
The above system is the most economical and efficient, but it can be used ONLY in cases where a water quality parameters are within the limits shown in the table. It is ALWAYS recommended to perform an accurate chemical analysis of water by a qualified technician. In the case where it is not possible to maintain control the water quality parameters listed above there has to opt for a source hydraulic circuit type 2.

A	System Filling Group	H	Source water Filter
B	Thermometer	I	Flexible Connection
C	Vent Valve	L	User water Filter
D	Circulating pump	M	Manual valve
E	Source modulating valve	N	Water tank
F	Expansion Vessel	O	Well pump
G	Safety Valve	P	Check valve



The pump (O) must be installed with the water supply side facing the unit water inlet connection.

4.17.2 Solution 2



The system above is the most secure and reliable, involves the installation of an intermediate water –water plate heat exchanger which protects the source of the heat pump from clogging, corrosion and freezing.

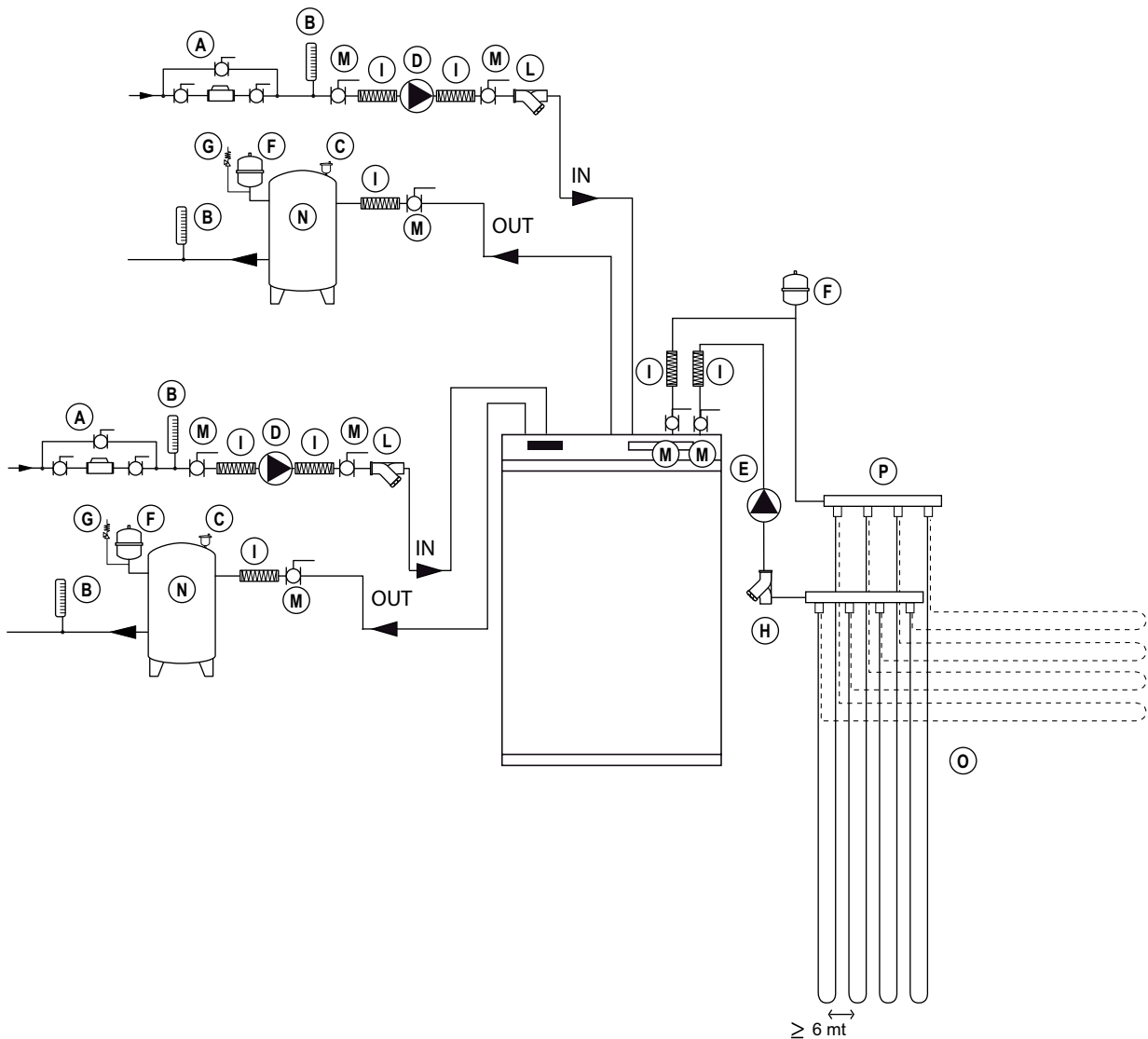
This hydraulic circuit is strongly recommended in those installations where it is not possible to maintain control the water quality parameters listed above. The installation of the intermediate heat exchanger lead to lower performance of the unit and requires an auxiliary pump. Please contact the Company in case of need for sizing of the intermediate heat exchanger.

A	System Filling Group	I	Flexible Connection
B	Thermometer	L	User water Filter
C	Vent Valve	M	Manual valve
D	Circulating pump	N	Water tank
E	Source pump	O	Well pump
F	Expansion Vessel	P	Check valve
G	Safety Valve	Q	Medium heat exchanger
H	Source water Filter		



The pump must be installed with the water supply side facing the unit water inlet connection.

4.17.3 Solution 3



The above system refers to an application with geothermal probes vertical or horizontal. In the majority of vertical applications using PE pipes connected in parallel, placed at a distance of at least 6 meters. Normally the vertical perforations must be approved by local authorities. In case of horizontal applications will typically use PE pipes buried about 1.5 to 2 meters deep.

A	System Filling Group	H	Source water Filter
B	Thermometer	I	Flexible Connection
C	Vent Valve	L	User water Filter
D	Circulating pump	M	Manual valve
E	Source modulating valve	N	Water tank
F	Expansion Vessel	O	Geothermal probes
G	Safety Valve	P	Collector probes



The geothermal probes must be correctly sized with glycol as a function of their operating temperature. It is recommended to contact the manufacturer of the individual probes for more details.



The pump must be installed with the water supply side facing the unit water inlet connection.

4.18 Domestic hot water (dhw) hydraulic circuit



The domestic hot water (DHW) circuit also requires a minimum water content to guarantee correct operation and to avoid excessive cycling of the compressors that can reduce the working life of the unit.

The minimum domestic hot water circuit content required is:

Model	039	045	050	060	070	080	090	110	120	130
Minimum water content (l)	500	600	700	750	850	1000	1200	1350	1500	1700
Safety valve (bar)	6	6	6	6	6	6	6	6	6	6

Model	152	162	190	210	240	260	300	320	380	430	500
Minimum water content (l)	1900	2100	1200	1350	1500	1700	1900	2100	1500	2000	2100
Safety valve (bar)	6	6	6	6	6	6	6	6	6	6	6



Il contenuto acqua minimo del circuito acqua calda sanitaria sopra riportato in tabella indica solamente il minimo contenuto d'acqua richiesto dal sistema per garantire il corretto funzionamento dell'unità in termini di corretto numero di avviamenti e fermate dei compressori e di minimo tempo di funzionamento permesso per ogni ciclo. **Il valore sopra riportato non garantisce la disponibilità di un adeguato flusso di acqua calda sanitaria all'utenza e la sua corretta temperatura nel lungo periodo;** questo valore infatti, DEVE essere stabilito a seconda del sistema impiegato per produrre l'acqua calda domestica e calcolato in funzione delle esigenze dell'utenza. Vi preghiamo di contattare l'azienda per ulteriori informazioni su questo argomento.

4.19 Filling the hydraulic circuit

- Before filling, check that the system drain valve is closed.
- Open all pipework, heat pump and terminal unit air vents.
- Open the shut off valves.
- Begin filling, slowly opening the water valve in the filling group outside the unit.
- When water begins to leak out of the terminal unit air vents, close them and continue filling until the pressure gauge indicates a pressure of 1.5 bar.

The installation should be filled to a pressure of between 1 and 2 bars. It is recommended that this operation be repeated after the unit has been operating for a number of hours (due to the presence of air bubbles in the system). The pressure of the installation should be checked regularly and if it drops below 1 bar, the water content should be topped-up. If frequent top-ups are required, check all connections for leaks.

4.20 Emptying the installation

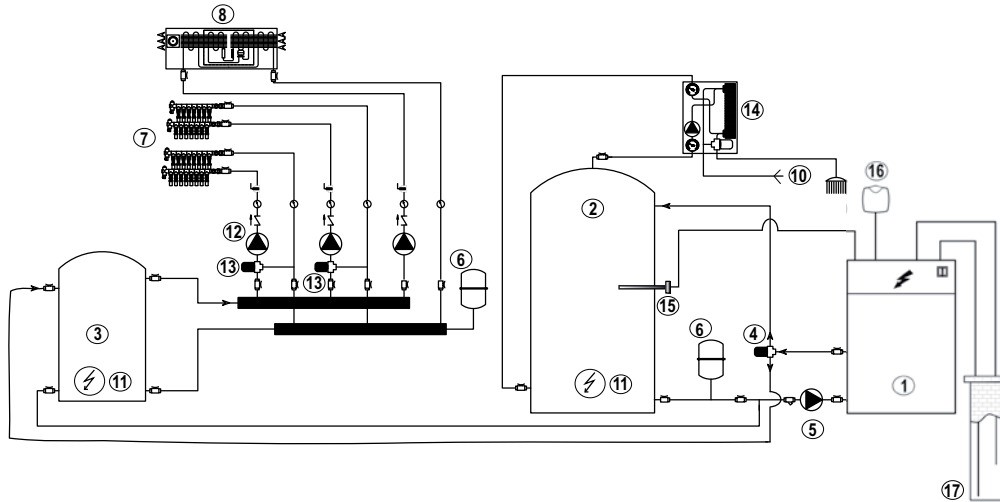
- Before emptying, place the mains switch in the "Off" position.
- Make sure the filling group valve is closed.
- Open the drainage valve outside the unit and all the installation and terminal air vent valves.



If the fluid in the circuit contains anti-freeze, it **MUST** not be allowed to run away to drain. It must be collected for possible re-cycling or for correct disposal.

4.21 Typical installations

4.21.1 Combined heating / Cooling / Domestic hot water production – 2 pipe system



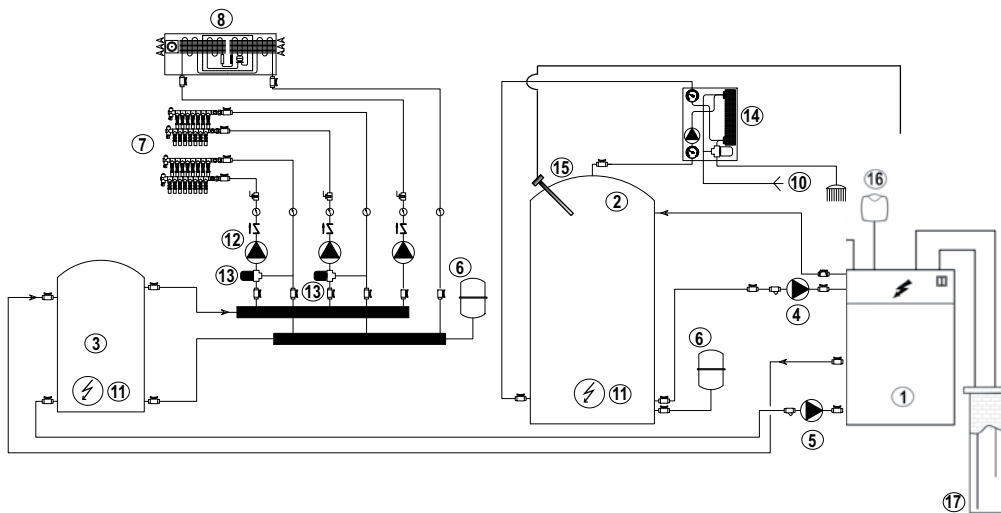
1	Heat pump	2	DHW Domestic hot water cylinder
3	Buffer storage tank	4	3 way ON/OFF valve Heating/DHW production
5	Primary circuit user water pump	6	Expansion vessel
7	Underfloor heating system	8	Dehumidifier / Cooling
9	Domestic hot water supply	10	Domestic cold water
11	Integration electric heater	12	Secondary circuit user water pumps
13	Underfloor heating modulating valves	14	Instantaneous domestic hot water producer
15	Domestic hot water sensor	16	Weather compensation sensor
17	Integrative source		

The above system combines heating at low temperatures with domestic hot water production at higher temperature using an instantaneous heat exchanger. When heating, the hot water produced by the heat pump is supplied to the floor heating at low temperatures e.g. 35°C. Domestic hot water production however, always has priority; it is activated by the domestic hot water sensor (15) which switches the position of the 3 way valve (4) and the set point of the unit e.g. 60°C. In cooling mode the system will produce cold water (by activation of the reversing valve). If domestic hot water is required, the unit stops the production of cold water, switches the reversing valve to heating, changes the position of the 3 way valve (4) and changes to the DHW set point. The heat pump heats up the DHW cylinder (2) and, when the temperature measured by the DHW sensor (15) reaches set point, it returns to operation in cooling mode. All units are supplied with a weather compensation sensor (16) that enables compensation of the hot water set point in winter mode with respect to the variation of ambient temperature.

The plant components supplied by the company are:

	STANDARD		OPTIONS		NOT AVAILABLE
1	Heat pump	2	Domestic hot water cylinder	6	Expansion vessel
15	Domestic hot water sensor	3	Buffer storage tank	7	Underfloor heating system
16	Weather compensation sensor	4	3 way ON/OFF valve	12	Secondary circuit user water pumps
		5	Primary circuit user water pump	13	Underfloor heating modulating valve
		8	Dehumidifier/Cooling		
		11	Integration electric heater		
		14	Domestic hot water producer		

4.21.2 Combined heating / Cooling / Domestic hot water production – 4 pipe system



1	Heat pump (SW6 Version)	2	DHW Domestic hot water cylinder
3	Buffer storage tank	4	DHW primary circuit water pump
5	Primary circuit user water pump	6	Expansion vessel
7	Underfloor heating system	8	Dehumidifier / Cooling
9	Domestic hot water supply	10	Domestic cold water
11	Integration electric heater	12	Secondary circuit user water pumps
13	Underfloor heating modulating valves	14	Instantaneous domestic hot water producer
15	Domestic hot water sensor	16	Weather compensation sensor
17	Integrative source		

This system enables the production of hot water for heating, domestic hot water and cold water by using a 4 pipe system. The SW6 versions have 4 water connections: 2 connections are for the domestic hot water circuit (DHW) and the other 2 with the heating/cooling system. Hot water production always has priority and it is controlled by the DHW sensor (15) which activates the domestic hot water pump (4). In heating mode, activation of the DHW water pump(4) temporarily stops the supply of hot water to the underfloor heating system. This is restored when the DHW cylinder has reached the set point temperature (measured by the sensor 15). In cooling mode, the SW6 unit will generate cold water (by activation of the reversing valve installed in the unit) and, if required, domestic hot water . The unit, in this operating mode, can produce cold water and domestic hot water at the same time. Effectively, domestic hot water in cooling mode is produced by heat recovery and is consequently, FREE OF CHARGE. When the temperature measured by the DHW sensor (15) reaches set point, the pump (4) is stopped and the unit only produces cold water.

The plant components supplied by the company are:

STANDARD		OPTIONS		NOT AVAILABLE	
1	Heat pump (SW6 version)	2	Domestic hot water cylinder	6	Expansion vessel
15	Domestic hot water sensor	3	Buffer storage tank	7	Underfloor heating system
16	Weather compensation sensor	4	DHW primary circuit pump	12	Secondary circuit user water pumps
		5	Primary circuit user water pump	13	Underfloor heating modulating valve
		8	Dehumidifier/Cooling		
		11	Integration electric heater		
		14	Domestic hot water producer		

4.22 Electric connections: preliminary safety information

The electric panel is located inside the unit at the top of the technical compartment where the various components of the refrigerant circuit are also to be found. To access the electrical board, remove the front panel of the unit:



Power connections must be made in accordance to the wiring diagram enclosed with the unit and in accordance to the norms in force.



Make sure the power supply upstream of the unit is (blocked with a switch). Check that the main switch handle is padlocked and it is applied on the handle a visible sign of warning not to operate.



It must be verified that electric supply is corresponding to the unit electric nominal data (tension, phases, frequency) reported on the label in the front panel of the unit.



Power cable and line protection must be sized according to the specification reported on the form of the wiring diagram enclosed with the unit.



The cable section must be commensurate with the calibration of the system-side protection and must take into account all the factors that may influence (temperature, type of insulation, length, etc.).



Power supply must respect the reported tolerances and limits: If those tolerances should not be respected, the warranty will be invalidated.



Flow switches must be connected following the indication reported in the wiring diagram. Never bridge flow switches connections in the terminal board. Guarantee will be invalidated if connections are altered or not properly made.



Make all connections to ground provided by law and legislation.



Before any service operation on the unit, be sure that the electric supply is disconnected.



FROST PROTECTION

If opened, the main switch cuts the power off to any electric heater and antifreeze device supplied with the unit, including the compressor crankcase heaters. The main switch should only be disconnected for cleaning, maintenance or unit repair.

4.23 Electric data



The electrical data reported below refer to the standard unit without accessories.
In all other cases refer to the data reported in the attached electrical wiring diagrams.



The line voltage fluctuations can not be more than $\pm 10\%$ of the nominal value, while the voltage unbalance between one phase and another can not exceed 1%, according to EN60204. If those tolerances should not be respected, please contact our Company.

Model		039	045	050	060	070	080	090
Power supply	V/~/Hz	400/3/50	400/3/50	400/3/50	400/3/50	400/3/50	400/3/50	400/3/50
Control board	V/~/Hz	24 V	24 V	24 V	24 V	24 V	24 V	24 V
Auxiliary circuit	V/~/Hz	230/1/50	230/1/50	230/1/50	230/1/50	230/1/50	230/1/50	230/1/50
Line section	mm ²	10	16	16	16	25	25	35
PE section	mm ²	10	16	16	16	16	16	25

Model		110	120	130	152	162	190	210
Power supply	V/~/Hz	400/3/50	400/3/50	400/3/50	400/3/50	400/3/50	400/3/50	400/3/50
Control board	V/~/Hz	24 V	24 V	24 V	24 V	24 V	24 V	24 V
Auxiliary circuit	V/~/Hz	230/1/50	230/1/50	230/1/50	230/1/50	230/1/50	230/1/50	230/1/50
Line section	mm ²	50	50	70	70	95	120	120
PE section	mm ²	25	25	35	35	50	70	70

Model		240	260	300	320	380	430	500
Power supply	V/~/Hz	400/3/50	400/3/50	400/3/50	400/3/50	400/3/50	400/3/50	400/3/50
Control board	V/~/Hz	24 V	24 V	24 V	24 V	24 V	24 V	24 V
Auxiliary circuit	V/~/Hz	230/1/50	230/1/50	230/1/50	230/1/50	230/1/50	230/1/50	230/1/50
Line section	mm ²	150	150	185	240	290	330	370
PE section	mm ²	95	95	95	120	120	120	150



Electric data may change for updating without notice. It is therefore necessary to refer always to the wiring diagram present in the units.

4.24 Electric connections



The numbering of the terminals may change without notice. For their connection is mandatory to refer to the wiring diagram supplied along with the unit.

4.24.1 Remote wiring connections (compulsory)

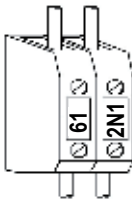
All terminals referred to in the explanations below are present on the terminal board inside the electrical box, all electric connections mentioned below and have to be made by the installer, on site.



USER CIRCUIT WATER INLET SENSOR (BTI)

It is used to measure the return water temperature from the user circuit. The sensor is always supplied loose in a plastic bag and has to be connected to terminals 3 and 9.

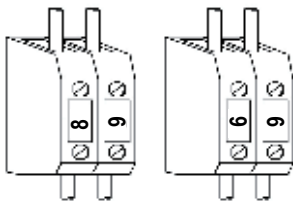
As standard working mode, the user pump will be switched off during stand-by periods (Compressors in Off). The sensor must be placed in an appropriate position in order to measure the temperature of the secondary circuit (See Par. 4.23). The incorrect positioning of the user water sensor can have negative influence in the operation of the heat pump. The remote sensor is supplied loose with the unit (it is present inside the electric box) and it is available with 6 mt. cable length. In case the length of the cable is not enough it is recommended to increase the length by only using cable diameter 0,5 mm² to a maximum distance of 50meters.



USER CIRCUIT WATER PUMP

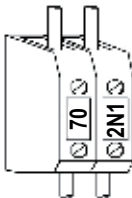
If the pump is factory supplied and fitted (A version) it will already be connected otherwise, connect to terminals 61 and 2N1 (6 and 9 for Models 90÷162); maximum input current 3A. In standard configuration, the unit microprocessor controller switches off the user water pump when the set point is reached or if the unit is in standby. This strategy is suitable if the unit is heating a buffer store from which a secondary circuit is taken and provides a substantial reduction of energy use.

Modd. 090÷162



DOMESTIC HOT WATER SENSOR (BTS)

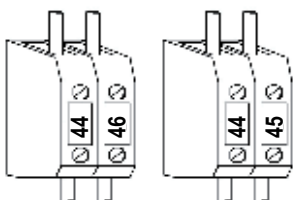
It is used to measure the return water temperature from the domestic hot water circuit. The sensor must be placed in the socket provided in the DHW (Domestic hot water) cylinder, in an appropriate position, in order to measure the correct temperature of the domestic hot water. (See Par. 4.24). The incorrect positioning of the domestic hot water sensor can have negative influence in the correct operation of the heat pump. The sensor is supplied loose with the unit (it is present inside the electric box) and it is available with 6 mt. cable length. It has to be connected to the terminal 6 and 9. In case the length of the cable is not enough it is recommended to increase the length by only using cable diameter 0,5 mm² to a maximum distance of 50meters.



DOMESTIC HOT WATER CIRCUIT PUMP

To be connected across terminals 70 and 2N1; maximum input current 1A. In standard configuration, the microprocessor control of the unit switches off the user water pump when the set point has reached or if the unit is in standby. This strategy provides a substantial reduction of energy use.

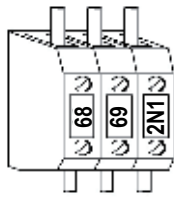
Modd. 090÷162



WEATHER COMPENSATED SENSOR (BTE)

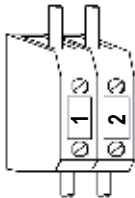
This is used to measure the ambient temperature enabling weather compensation modulation of the user set point with respect to the ambient conditions. It is connected to terminals 44 and 46 (44 and 45 for models 90 ÷ 162) .

4.24.2 Remote wiring connections (optional)



3 WAY ON/OFF VALVE(Only required on 2 pipes systems versions); Not required on / SW6 versions)

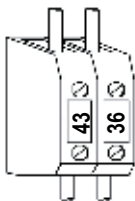
The 3 way valve is used with 2 pipe systems to produce domestic hot water; the valve is activated by the Domestic hot water sensor (BTS) and diverts the hot water either to the domestic hot water cylinder or to the user circuit. The valve is connected across terminals 2N1/68/69.



REMOTE ON / OFF

To switch the unit on or off remotely, the cable jumper connected across terminals 1 and 2 must be replaced with a switch.

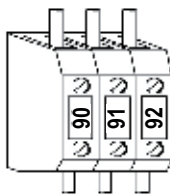
Contact closed, unit ON,
Contact open, unit OFF.



REMOTE SUMMER / WINTER CHANGE OVER

To remotely switch the unit from heating to cooling, the cable jumper connected across terminals 43 and 36 must be replaced with a switch.

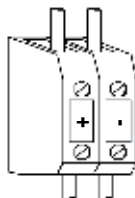
Contact closed, unit in Winter mode,
Contact open, unit Summer mode.



REMOTE GENERAL ALARM

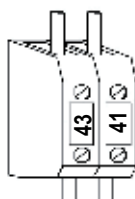
For remote display of a general alarm, connect the visual or audible device between terminals 90-91-92.

Contacts 90/91 NC (Normally closed)
Contacts 91/92 NO (Normally opened)



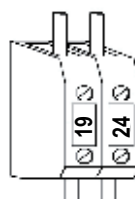
REMOTE CONTROL PANEL

The remote control panel replicates all of the functions on the main controller panel and can be connected up to a maximum distance of 50 meters from the unit. The panel has to be connected to the unit by 2 wires having diameter 0.75 mm². The power supply cables must be separated from the remote control panel wires, in order to avoid interference. The control panel has to be connected to the terminals + and -. The control panel cannot be installed in an area subject to excessive vibration, corrosive gases, is a dirty environment or has a high humidity level. The ventilation openings must not be blocked.



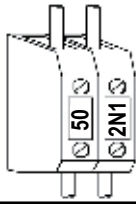
DOMESTIC HOT WATER CIRCUIT FLOW SWITCH (SW6 versions only)

If a flow switch is required on the domestic hot water circuit, it must be connected across terminals 41 and 43. The unit is factory fitted with a jumper that has to be removed before installing the flow switch.



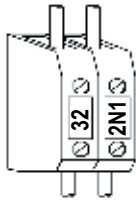
3 way mixing valve. It is necessary ONLY in the 2 pipes versions where the heat exchanger inside the DHW cylinder is incorrect (too small!). It is not available on the SW6 versions.

In 2 pipe versions (only) it is the 3 way mixing valve that, depending on the return water temperature from DHW cylinder, modulates the opening of the by-pass port going to the user circuit. The valve is connected to terminals 19 and 24. For more information about this option please refer to the paragraph 4.19.1.



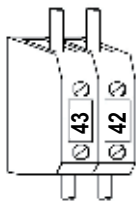
USER CIRCUIT ELECTRIC INTEGRATION HEATERS

If user circuit integration heaters are required, the coil of the contactor that is used to switch them must be connected across terminals 2N1 and 50.



DOMESTIC HOT WATER ELECTRIC INTEGRATION HEATERS

If domestic hot water circuit integration heaters are required, the coil of the contactor that is used to switch them must be connected across terminals 2N1 and 32.

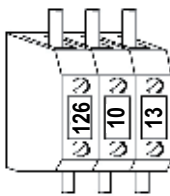


PRIORITY SELECTOR

If a priority selector switch is to be fitted, a voltage free switch has to be connected to terminals 42 and 43. The selector operates as follows:

- Closed contact: Domestic hot water only;
- Opened contact: Domestic hot water / Heating (and / or cooling);

The unit is supplied with noting connected to terminals 42 and 43 (Open contact).



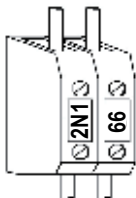
SOURCE WATER 2 WAY MODULATING VALVE (4-20mA; 0-10V) (VM20)

126-10 ± 24 W (supply)

13 Modulation signal

2-way modulating valve is factory installed in the hydraulic circuit at the source side, to optimize the consumption of well water as a function of the temperature of the available water. The valve is controlled by the microprocessor control unit by modulating signal 0-10V.

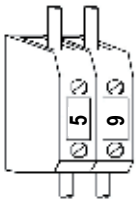
In the event of lack of power supply, the valve is normally closed.



PUMP SOURCE

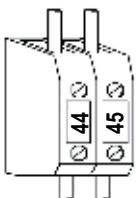
Must be connected to terminals 66 and 2N1, with maximum current of 3A. In standard configuration, the unit microprocessor control turns off the user water pump when set point is reached. This solution allows a significant reduction in electrical power consumption when the set point is reached or the unit is in standby.

4.24.3 Factory fitted wiring connections



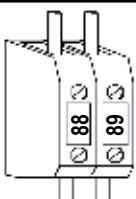
USER CIRCUIT WATER OUTLET SENSOR (BTO)

This is used to measure the outlet user temperature; it is also used as antifreeze protection in cooling mode; it is connected to the terminals 5 and 9.



DOMESTIC HOT WATER OUTLET SENSOR (BTU)

This is used to measure the domestic hot water outlet temperature; it is also used as maximum temperature sensor to protect the refrigerant circuit of the unit from excessive temperatures in case of low water flow rates. The sensor is connected to terminals 8 and 9.



USER CIRCUIT FLOW SWITCH (SFW1)

This is used to protect the unit if there is a low water flow rate in the user circuit. It is factory fitted across terminals 88 and 89.

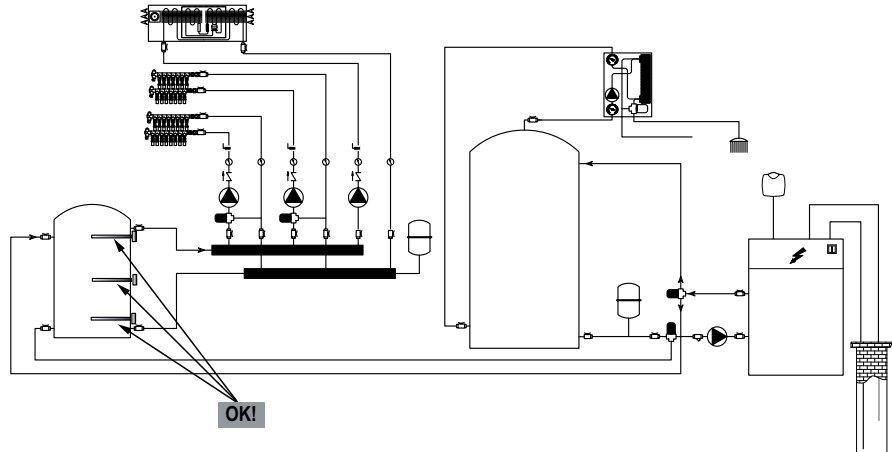
4.25 Positioning of the user circuit water inlet sensor (BTI)

The correct positioning of the BTI sensor is extremely important to guarantee the correct operation of the heat pump. The BTI sensor is used to cycle the unit to maintain the user water temperature at set point. The BTI sensor is also used to activate the user water pump and to stop it when the user water temperature set point is reached. The BTI sensor **MUST** be positioned in order to measure the water temperature of the secondary circuit.

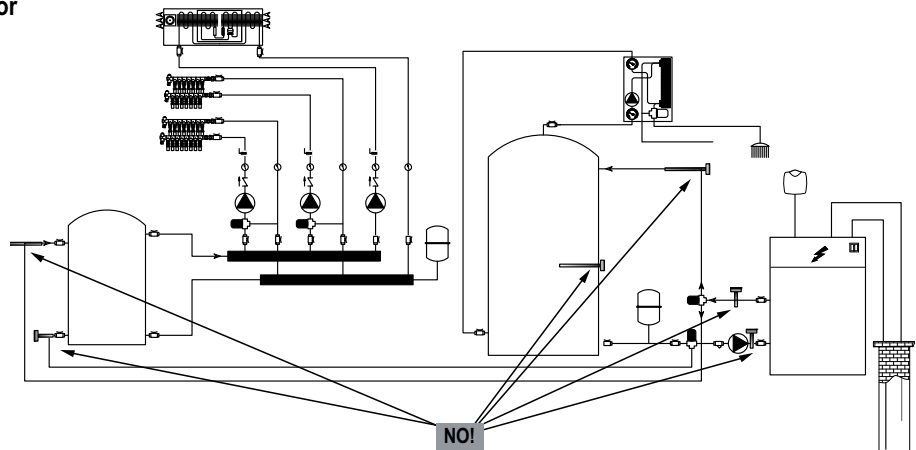


To guarantee the correct measurement of the temperature insert the probe in the sensor pocket of the buffer tank.

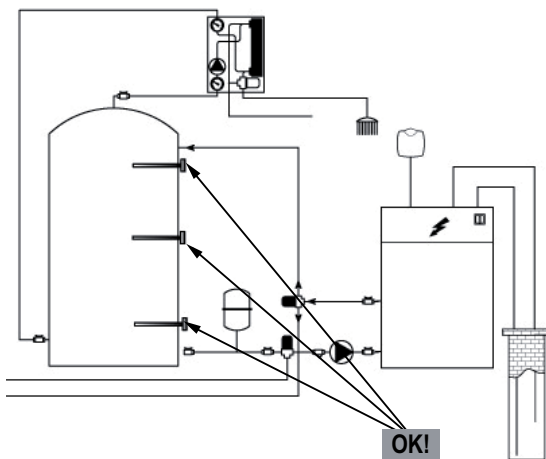
Correct positioning of the BTI sensor



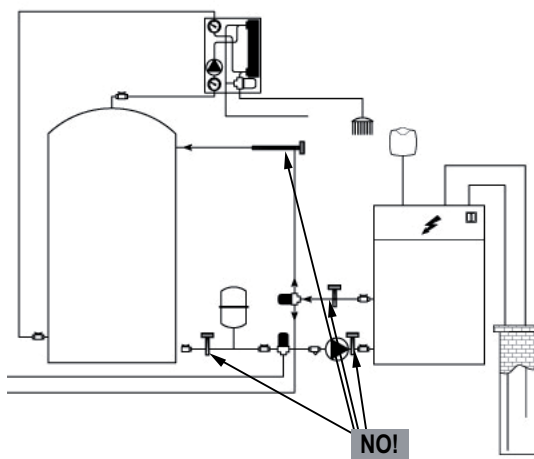
Incorrect positioning of the BTI sensor



4.26 Positioning of the domestic hot water circuit sensor (BTS)



Correct positioning of the BTS sensor

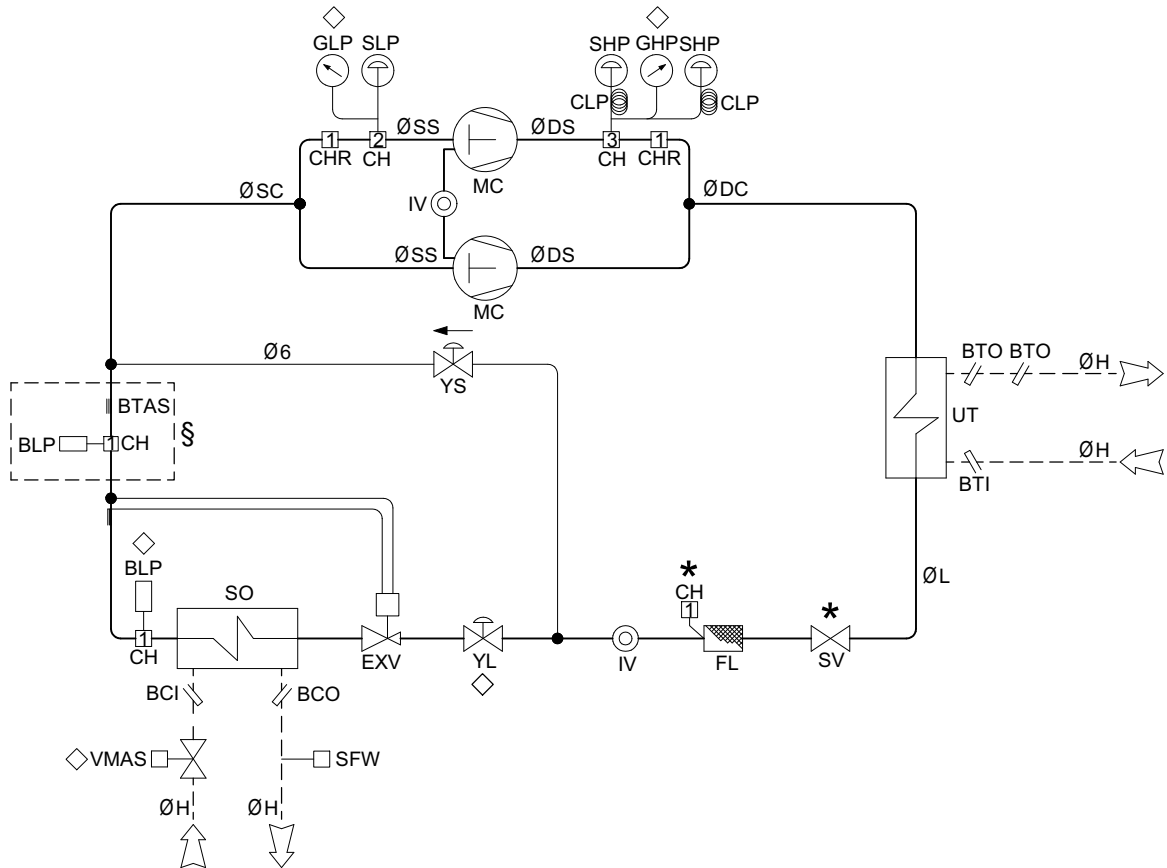


Incorrect positioning of the BTS sensor

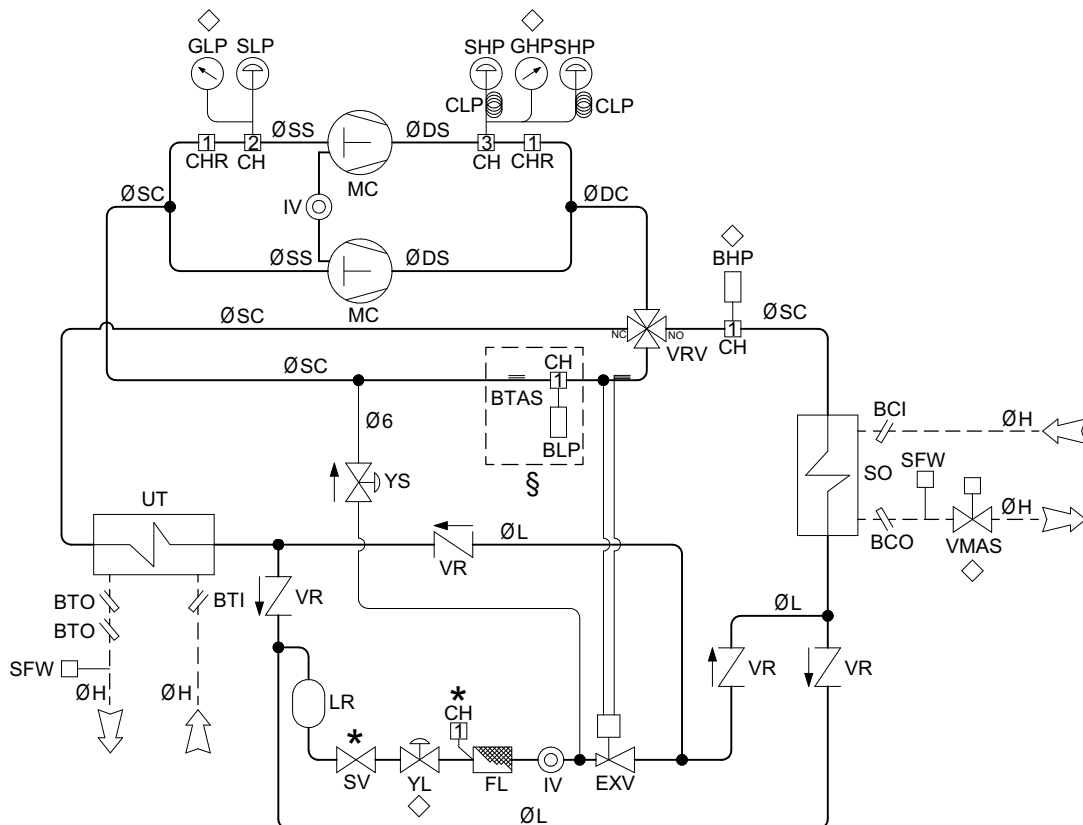
4.27 Refrigerant circuit layout

BCI	Source water input probe	SHP	High pressure pressostat
BCO	Source water output probe	SLP	Low-high pressure switch
BHP	High pressure transducer	SO	Source side
BLP	Low pressure transducer	SV	Shut off valve
BTFI	Free-cooling probe (inlet water plant)	SW	Sanitary side
BTI	User water input probe	UT	User side
BTO	User water output probe	V3SW5	3-Way water valve sw5
BTS	Sanitary water input probe	V3W	3-Way water valve
BTU	Sanitary water output probe	VMAS	Source water modulating valve
CH	Charging plug 1/4 sae (r407)	VR	Check nvalve
CLP	Expansion capillary tube	VRV	Reverse cycle valve
EXV	Thermostatic valve	YL	Liquid solenoid valve
FL	Liquid line filter	YMC	Chiller solenoid valve
GHP	High pressure gauge	YMS	Sanitary solenoid valve
GLP	Low pressure gauge	YS	Injection solenoid valve
IV	Moisture indicator sight glass	YSO	Source recovery solenoid valve
LR	Liquid receiver	YTSO	Source thermostatic valve solenoid valve
MC	Compressor	YTUT	User thermostatic valve solenoid valve
SFC	Free-cooling side	YUT	User recovery solenoid valve
SFW	Water flow switch	YW	Sanitary recovery solenoid valve

4.27.1 Refrigerant circuit layout version WHA

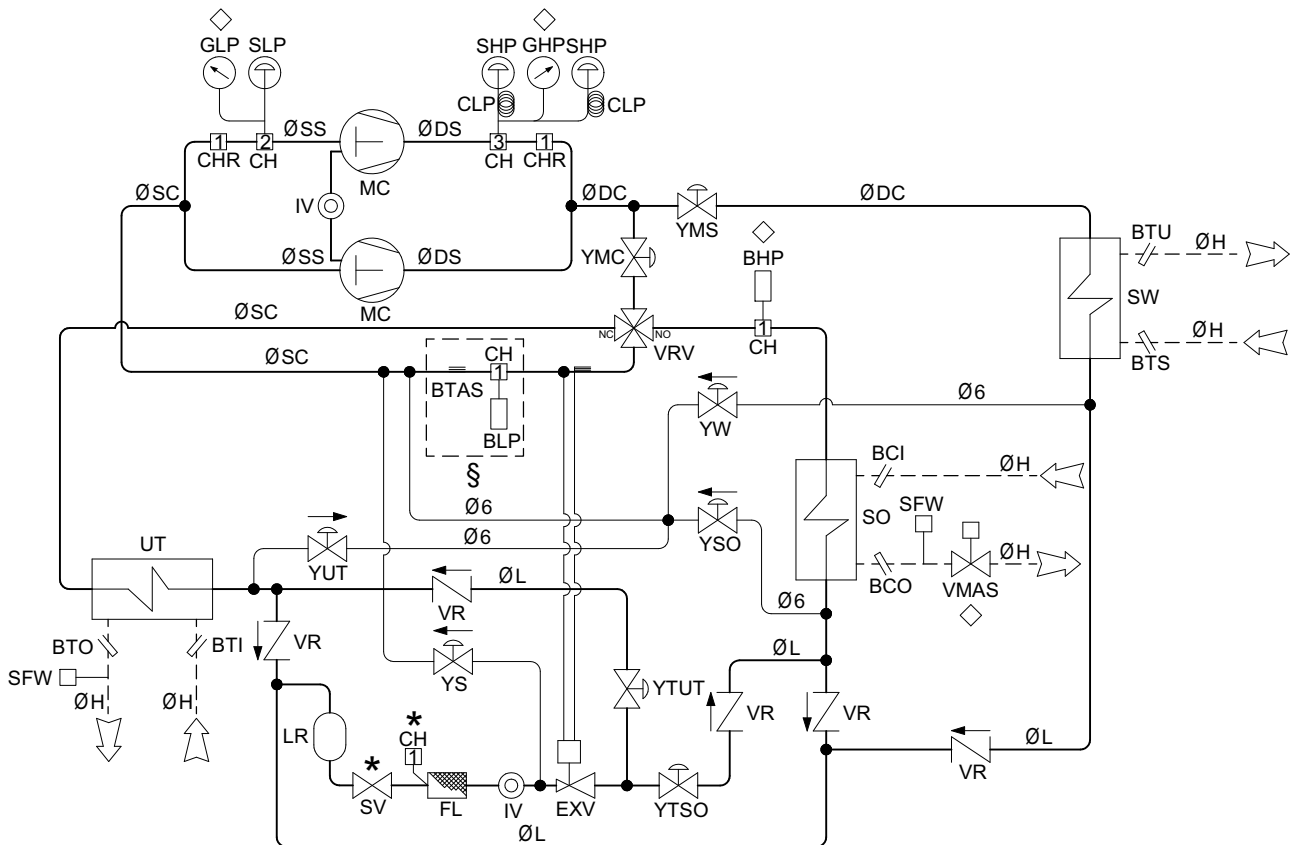


4.27.2 Refrigerant circuit layout version WHA/RV



4.27.3 Refrigerant circuit layout version WHA/RV/SW6

This version is fitted with an additional heat exchanger, used as a condenser, to produce domestic hot water irrespective of the operation mode of the unit. The activation of the additional heat exchanger is performed automatically by the microprocessor control when the domestic hot water temperature, measured by the sensor, is lower than the required set point. If, during the summer months, the unit is operating on cooling, this version can produce hot and cold water simultaneously. This version is equipped with return and supply domestic hot water sensors and an advanced control panel with specific software for management of the system priorities.



The SW6 unit, allows the production of cold and hot water, independently from the operation mode of the unit (heating or cooling).



During winter operation, if domestic hot water is required, it is temporarily stopped the water flow into the heating system.
 During summer operation the domestic hot water can be produced at the same time of the cold water flow. Domestic hot water is available even when the cooling system is in stand-by or the set point has been reached.
 The unit microprocessor gives always priority to the domestic hot water mode.



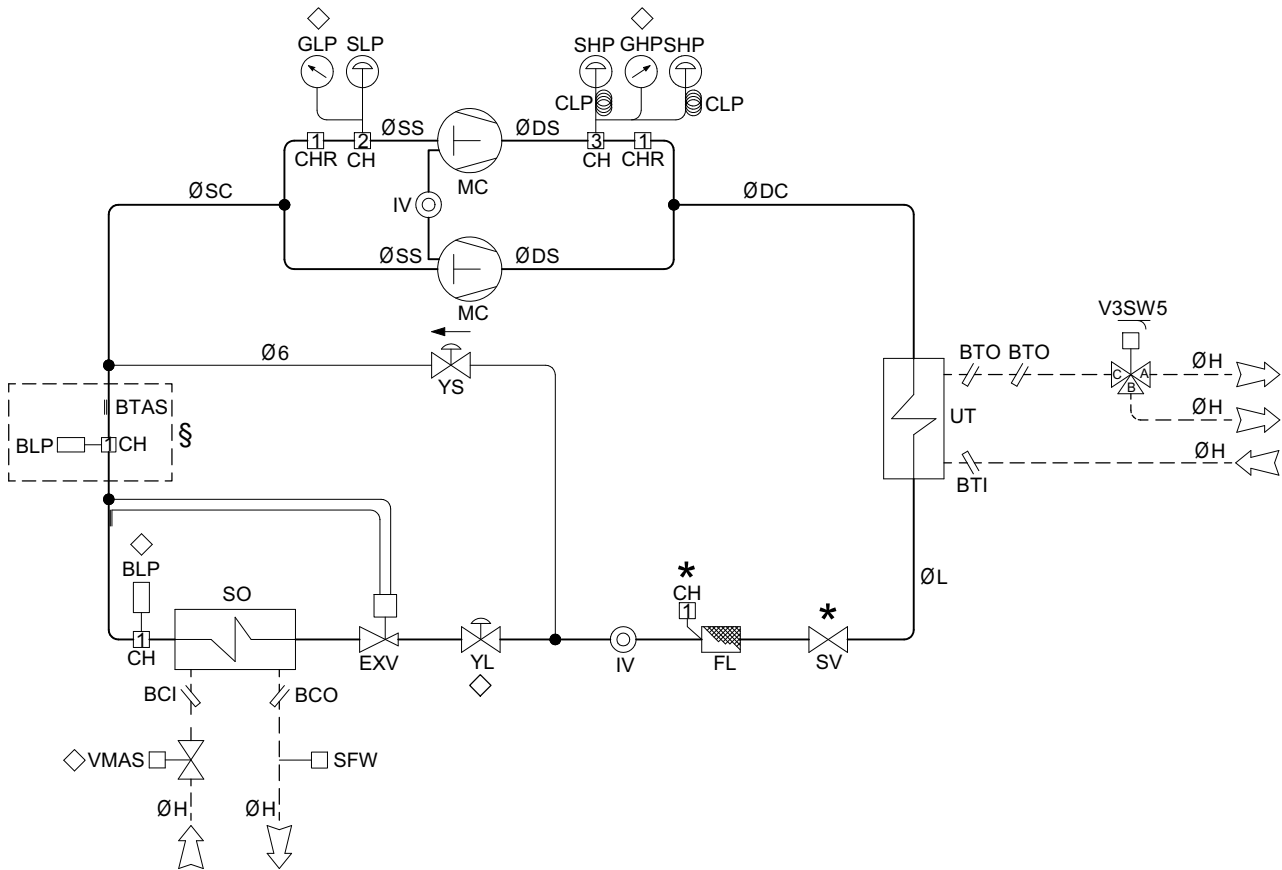
The WHA/RV/SW6 is only available as reverse cycle version.



The WHA/RV/SW6 version can be combined to the free cooling version (WHA/FC/RV/SW6).

4.27.4 Refrigerant circuit layout version WHA/SW5

This version is able to produce domestic hot water. It is supplied with an ON/OFF 3 way valve that diverts the water flow to a circuit for hot water production. These units are not available in the reversible version (RV) and cannot produce cold water.



During winter operation, if domestic hot water is required, it is temporarily stopped the water flow into the heating system. The unit microprocessor gives always priority to the domestic hot water mode.



The WHA/SW5 version is not available in reversible version (RV).



The WHA/RV/SW6 version can be combined to the free cooling version (WHA/FC/RV/SW6).

4.27.5 Refrigerant circuit diagram WHA/FC

The Free Cooling version (FC) is suitable for producing cold water during the summer season using the cooling power from the geothermal probes or from groundwater.

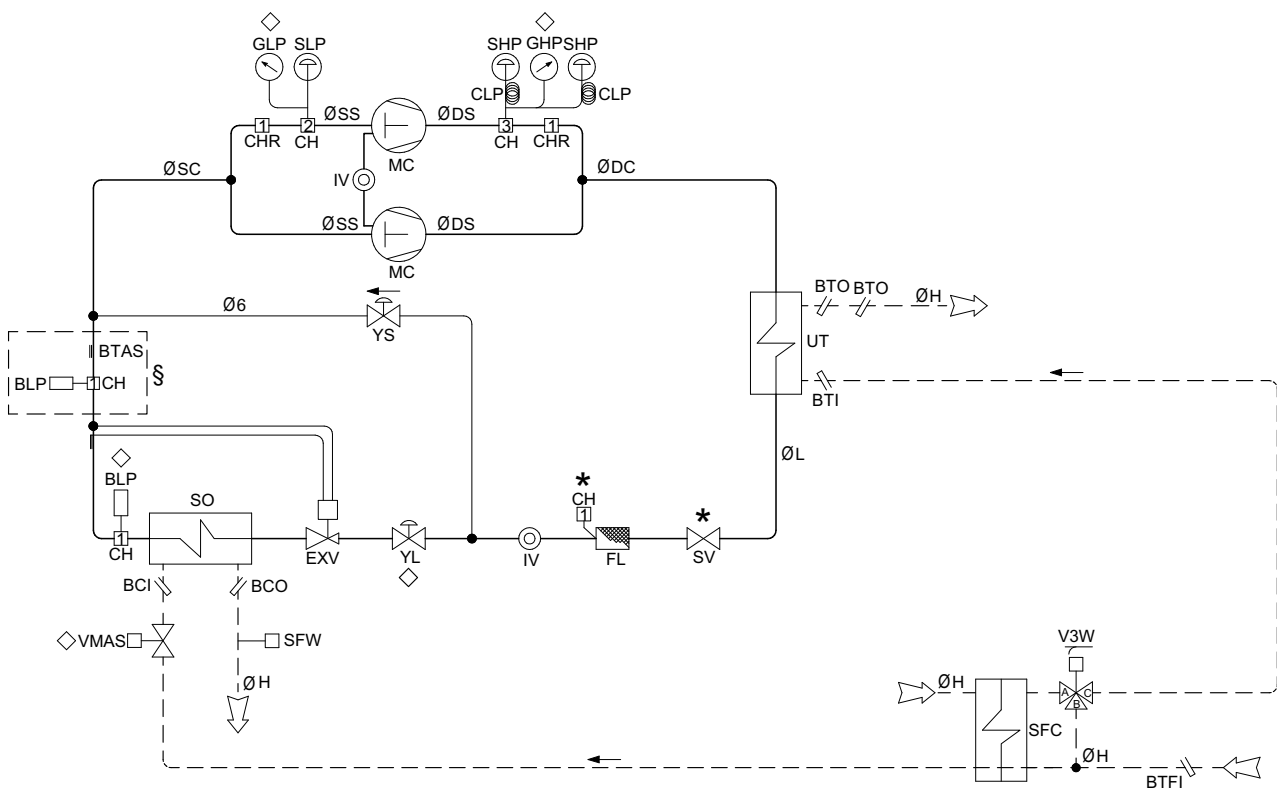
Principle of operation:

The free cooling heat exchanger is installed in series with the user heat exchanger; the 3-way valve controls the flow of water through the heat exchanger, when the return water temperature is higher than the water temperature at the free cooling heat exchanger, the control allows the water flow to pass first through the free cooling heat exchanger where performs the pre-cooling and then through to the user heat exchanger where, if the set is not reached in the free cooling heat exchanger, the cooling take place at the required set point (compressors are activated).

The free cooling versions can work in 2 different ways:

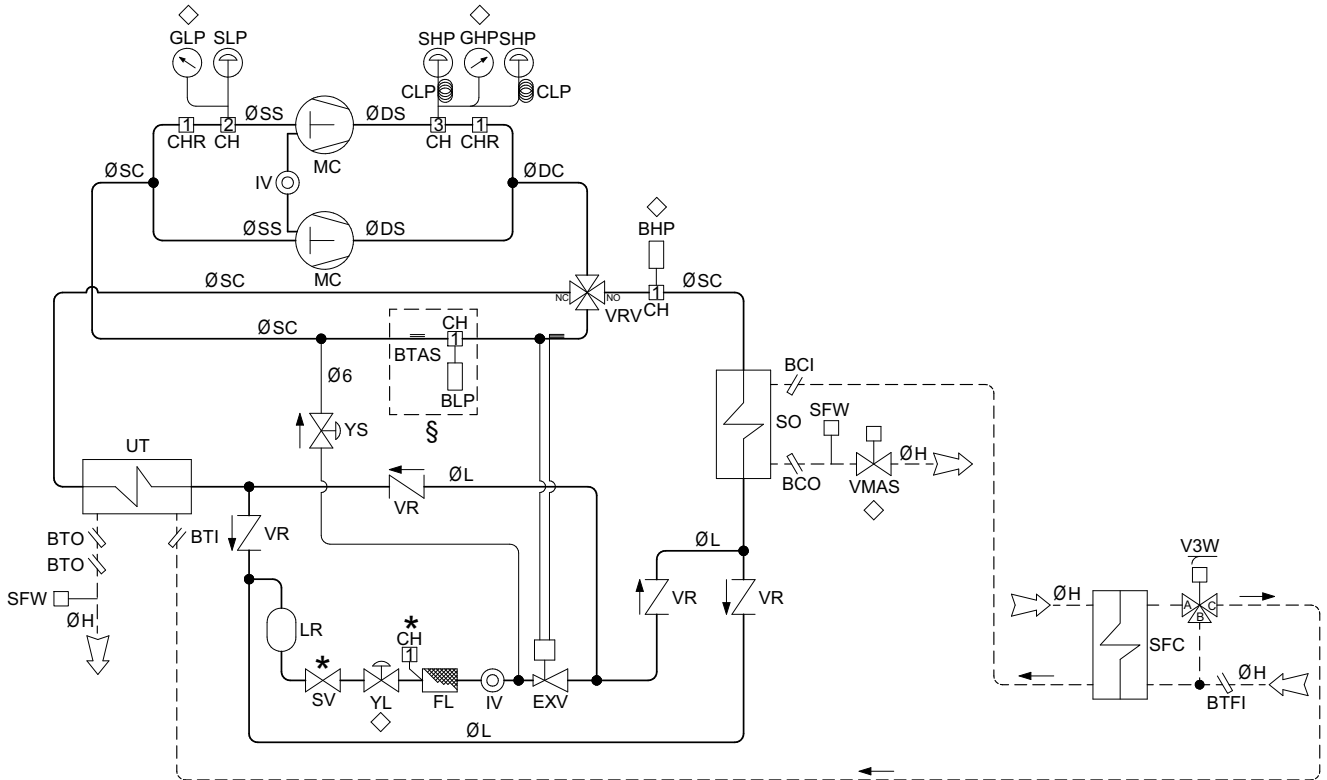
Free cooling mode: The geothermal probes (or ground water) can provide sufficient power to free cooling system; In this case the 3 way valve opens the way (A) and water flow passes into the heat exchanger where the geothermal probes are just sufficient to ensure the total load required; The compressors are not in operation; In this case, the free cooling system works in replacement of the water chiller.

Free cooling + Compressors mode: The geothermal probes (or ground water) can NOT guarantee sufficient cooling capacity to the system; In this case the 3-way valve opens the way (A) and the water flow passes into the free cooling heat exchanger where it is cooled down in function of the maximum capacity of the geothermal probes; not being reached then the set-point the compressors start to operate, the water flow then passes into the user exchanger where it is cooled down to the required temperature. In this case the free cooling system works in integration to the water chiller.



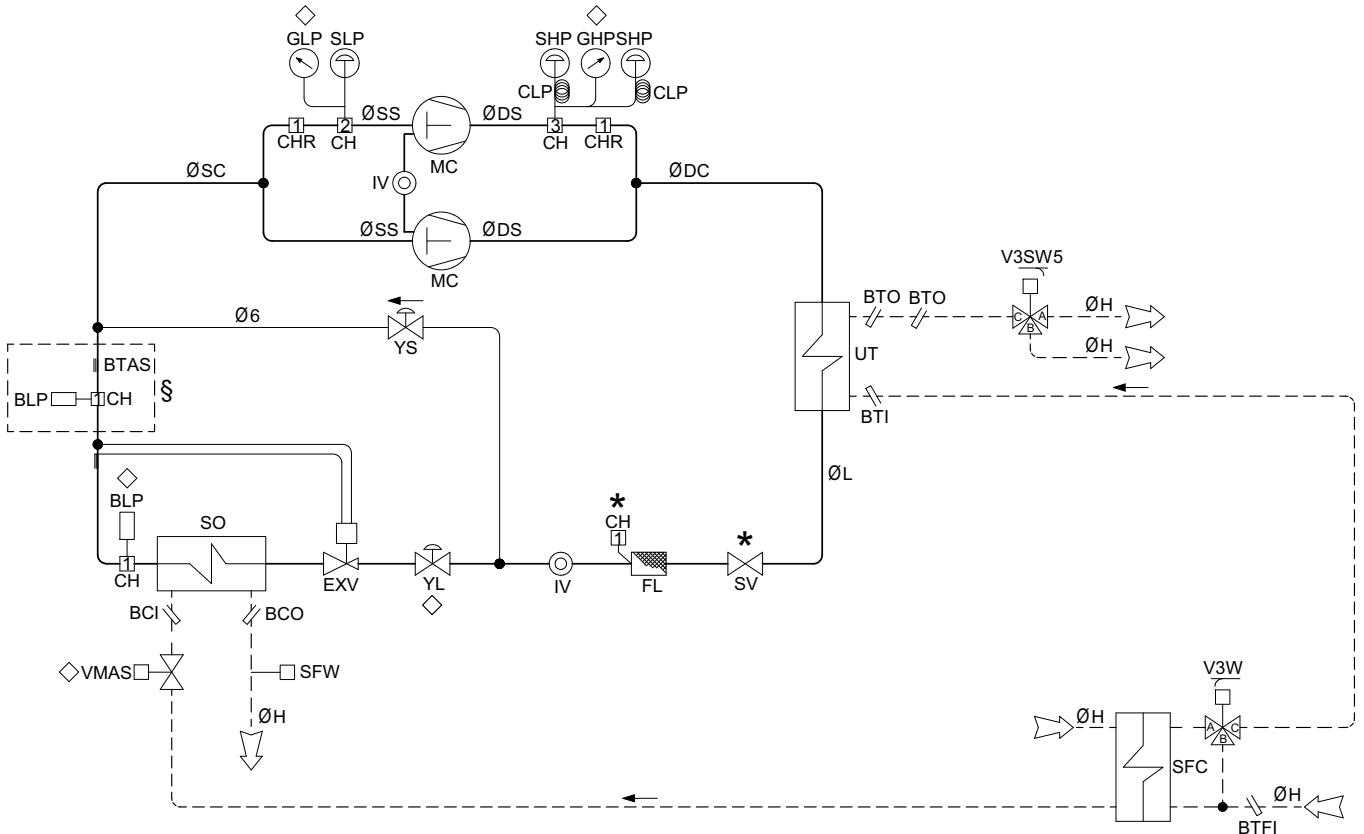
4.27.6 Refrigerant circuit layout WHA/FC/RV

The version WHA/FC/RV has the same operating system version WHA/FC with the ability to produce hot water in winter, the free cooling is not in operation when the unit is in heating mode.



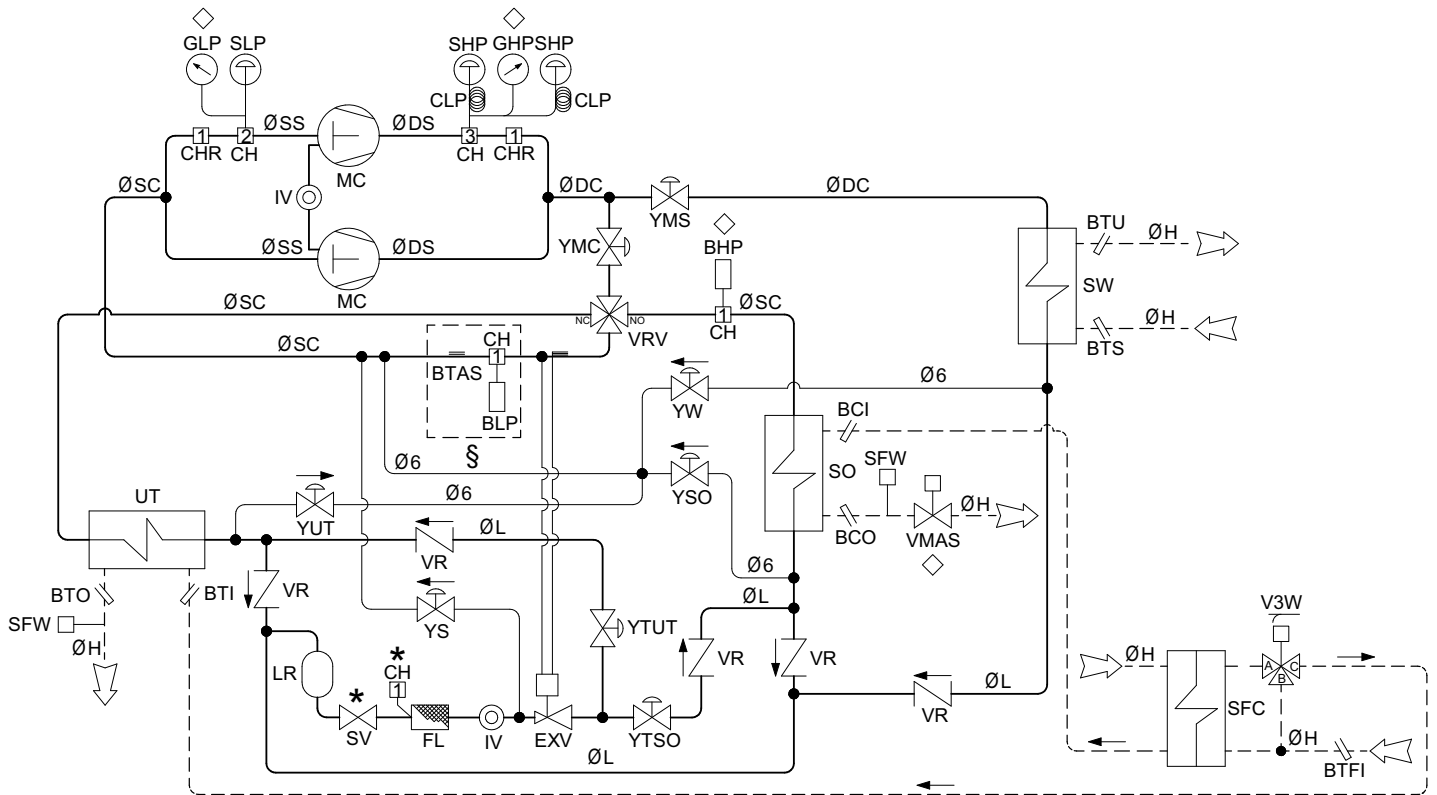
4.27.7 Refrigerant circuit layout WHA/FC/SW5 – 5 pipes system

This unit allows you to combine the features of version WHA/SW5 + FC (free cooling) version.



4.27.8 Refrigerant circuit layout WHA/RV/SW6 + FC– 6 pipes system

This unit allows you to combine the features of version WHA/RV/SW6 + FC (free cooling) version.



4.27.9 Free cooling capacities (FC)

The rated Free Cooling capacity is achieved when all the compressors are not in operation, the source water inlet temperature is 10 ° C, the return user water temperature is 20 ° C and the nominal waterflow (for each model) is shown in the table:

Model		039	045	050	060	070	080	090	110	120	130
Rated Free Cooling capacity	kW	22,8	23	36,1	36,3	36,5	49,6	50	73,2	74,3	74,8
Water consumption	m ³ /h	7	8,7	10,4	10,9	12,7	15,5	18	19,7	23,1	25,8
Water pressure drops	kPa	17,3	25,4	20,9	22,7	29,9	26,3	34,5	18,5	24,8	30,2

Model		152	162	190	210	240	260	300	320	380	430	500
Rated Free Cooling capacity	kW	93,6	94,2	130	131,5	132,1	164,5	165	203,6	167,1	168,4	207,1
Water consumption	m ³ /h	27,7	31,4	37,2	42,5	48	53,4	59,9	66,4	75,0	87,9	99,1
Water pressure drops	kPa	22,6	28,3	26,1	33,1	41,2	33,2	40,9	34,0	92,0	81,5	101,8



Warning: the pressure drop refers only to Free-cooling heat exchanger. To obtain the pressure drop of the whole hydraulic circuit the pressure drop of the 3-way valve must be added. It always refers to a range between 25 and 45 kPa.

5. UNIT START UP

5.1 Preliminary checks

Before starting the unit the checks detailed in this manual of the electric supply and connections (par. 4.20), the hydraulic system (par. 4.11) and the refrigerant circuit (par. 5.1.4), should be performed.



Start-up operations must be performed in accordance with the instructions detailed in the previous paragraphs.



If it is required to switch the unit on and off, never do this using the main isolator: this should only be used to disconnect the unit from the power supply when the unit is to be permanently off. Isolation will result in no supply for the crankcase heater and on start up the compressor could be seriously damaged.

5.1.1 Before start-up



Damage can occur during shipment or installation. It is recommended that a detailed check is made, before the installation of the unit, for possible refrigerant leakages caused by breakage of capillaries, pressure switch connections, tampering of the refrigerant pipework, vibration during transport or general abuse suffered by the unit.

- Verify that the unit is installed in a workmanlike manner and in accordance with the guidelines in this manual.
- Check that all power cables are properly connected and all terminals are correctly fixed.
- The operating voltage between phases R S T is the one shown on the unit labels.
- Check that the unit is connected to the system earth.
- Check that there is no refrigerant leakage.
- Check for oil stains, sign of a possible leak.
- Check that the refrigerant circuit shows the correct standing pressure on the pressure gauges (if present) otherwise use external ones.
- Check that the Schrader port caps are the correct type and are tightly closed.
- Check that crankcase heaters are powered correctly (if present).
- Check that all water connections are properly installed and all indications on unit labels are observed.
- The system must be flushed, filled and vented in order to eliminate any air.
- Check that the water temperatures are within the operation limits reported in the manual.
- Before start up check that all panels are replaced in the proper position and locked with fastening screws.



Do not modify internal wiring of the unit as this will immediately invalidate the warranty.



Crankcase heaters must be powered at least 12 hours before start up (pre-heating period) To do this, isolate the compressor(s), fans and pump(s) in the electrics box and then switch on the main isolator (heaters are automatically supplied when the main switch is closed). The crankcase heaters are working properly if, after several minutes, the compressor crankcase temperature is about 10÷15°C higher than ambient temperature.



During the 12 hours pre-heating period it is also important to check that the label OFF is shown on the display or that the unit is on stand-by mode. If there is an accidental start-up before the 12 hours pre-heating period has elapsed, the compressors could be seriously damaged and therefore the warranty will immediately terminate .

5.1.2 Safety device setting

Device		Set-point	Differential	Reset
Control thermostat (Heating mode)	°C	30	2	----
Control thermostat (Domestic hot water)	°C	45	2	----
Control thermostat (Cooling mode)	°C	23	2	----
Anti-freeze thermostat	°C	4	4	MANUAL
High pressure switch	Bar	30	7	Automatic for 3 times (than manual)
Low pressure switch	Bar	0.7	1.5	
Water safety valve (Present in A versions only)	Bar	6	---	Automatic



If the unit is required for heating/cooling only (without domestic hot water production) the internal parameter of the microprocessor FS1 has to be modified from 2 to 1 in order to avoid configuration alarms. Please contact the company for support.

5.1.3 Controls during unit operation

- Check the rotation of the fans . If the rotation is incorrect, disconnect the main switch and change over any two phases of the incoming main supply to reverse motor rotation (only for units with three-phase fan motors).
- Check that user water inlet temperature is close to the set point of the control thermostat.
- For "A" version units (units with pumps) if the pump is noisy, slowly close discharge shut-off valve until the noise is reduced to normal levels. This can occur when the system pressure drop substantially lower than the pump available pressure.

5.1.4 Refrigerant charge checking

- After several hours of operation, check that the sight glass has a green colour core: if the core is yellow moisture is present in the circuit. In this event it is necessary for dehydration of the circuit to take place. This must be performed by qualified people only. Check that there are no continuous vapour bubbles present at the sight glass . This would indicate a shortage of refrigerant. A few vapour bubbles are acceptable.
- Several minutes after start up and operating in cooling mode, check that condensing temperature is approximately 15 °C higher than the ambient air temperature.
- On cooling mode, check that the evaporation temperature is about 5 °C lower than the user water outlet temperature.
- On cooling mode check that the refrigerant superheat on the user heat exchanger is about 5-7 °C
- On cooling mode check that the refrigerant sub-cooling on the source heat exchanger is about 5-7 °C.

5.2 Description of the control panel



Display

The instrument display is divided into three zones:

Top left zone: the display shows the inlet water temperature,

Bottom left zone: the display shows the inlet domestic hot water temperature (the digit SAN. Will appear),

Right zone: icons.

5.2.1 Display icons

Icon	Meaning	Icon	Meaning
°C	Celsius degrees		General Alarm
bar	Bar		Electric heaters activated
	Compressor 1		User water pump
	Compressor 2	Flow!	Water flow alarm

5.2.2 Key function



M makes it possible to enter the functions menu



SET makes it possible to display or modify the set points . Selects a parameter or confirms a value in programming mode.



In standard mode allows the display of the different temperatures
 1 click: Bottom line displays **EIN**: User inlet water temperature
 2 clicks: Bottom line displays **EOUT**: User outlet water temperature
 3 clicks: Bottom line displays **ET**: Ambient temperature
 4 clicks: Bottom line displays **DEF1**: Finned coil temperature
 5 clicks: Bottom line displays **SAN1**: Domestic hot water inlet temperature (return from the system)
 6 clicks: Bottom line displays **SAN2**: Domestic hot water outlet temperature (supply to the system)
 7 clicks: Bottom line displays **CDP1**: refrigerant pressure (high pressure in cooling, low pressure in heating mode)
 In programming mode allows to scroll through the parameter codes or increases the values.



In standard mode allows the display of the different temperatures in opposite way of the above arrow...In programming mode allows to scroll through the parameter codes or increases the values



If press ed down for 5 seconds, it makes it possible to switch the unit on or off in chiller mode (and domestic hot water, if required). Each time this function is activated, the green led positioned just above the button will be switched **ON**.



If press ed down for 5 seconds, it makes it possible to switch the unit on or off in heating mode (and domestic hot water, if required). Each time this function is activated, the green led positioned just above the button will be switched **ON**.

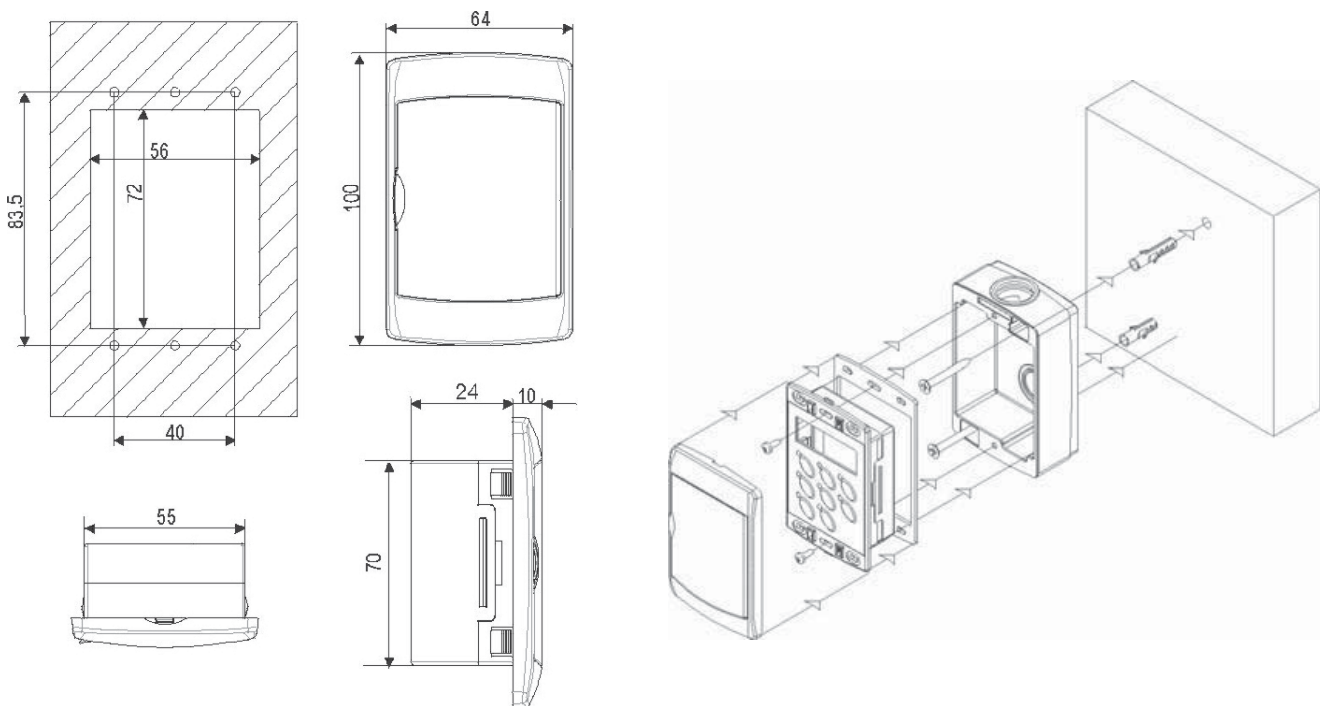
5.3 Remote control panel



5.3.1 Installation

The remote control panel is mounted on a panel with 72x56 mm cut-out, fixed with screw.

To obtain IP65 protection for the panel, use the rubber gasket RGW-V (optional). For wall mounting use the V-KIT plastic adapter as illustrated in the picture.



Electric data can be updated without notice. It is therefore necessary to always refer to the wiring diagram provided in the unit.



If there is damage to the remote control or there is a faulty connection, failure of communication will be indicated in the display with the message "noL" (no link).

5.3.2 Display icons

Icon	Meaning	Icon	Meaning
°C	Celsius degrees		General Alarm
bar	Bar		Electric heaters activated
	Compressor 1		User water pump
	Compressor 2	Flow!	Water flow alarm

5.3.3 Key function



M makes it possible to enter the functions menu



SET makes it possible to display or modify the set points . Selects a parameter or confirms a value in programming mode.



In standard mode allows the display of the different temperatures
 1 click: Bottom line displays **EIN**: User inlet water temperature
 2 clicks: Bottom line displays **EOUT**: User outlet water temperature
 3 clicks: Bottom line displays **ET**: Ambient temperature
 4 clicks: Bottom line displays **DEF1**: Finned coil temperature
 5 clicks: Bottom line displays **SUN1**: Domestic hot water inlet temperature (return from the system)
 6 clicks: Bottom line displays **SUN2**: Domestic hot water outlet temperature (supply to the system)
 7 clicks: Bottom line displays **CDP1**: refrigerant pressure (high pressure in cooling, low pressure in heating mode)
 In programming mode allows to scroll through the parameter codes or increases the values.



In standard mode allows the display of the different temperatures in opposite way of the above arrow...In programming mode allows to scroll through the parameter codes or increases the values



If press ed down for 5 seconds, it makes it possible to switch the unit on or off in chiller mode (and domestic hot water, if required). Each time this function is activated, the green led positioned just above the button will be switched **ON**.

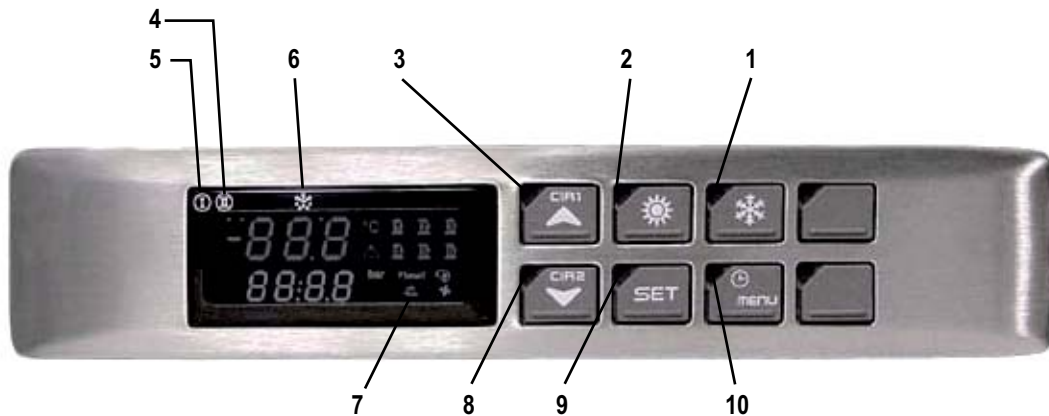


If press ed down for 5 seconds, it makes it possible to switch the unit on or off in heating mode (and domestic hot water, if required). Each time this function is activated, the green led positioned just above the button will be switched **ON**.

6. USE

6.1 Switch the unit on

In order to power the unit, turn the main switch in ON position. The display shows the User inlet water temperature and the Domestic hot water inlet water temperature.




Legend

1	Led ON: Unit in cooling mode.	6	Led blinking: Defrost cycle timeout activated; Led ON: Defrost cycle activated.
2	Led ON: Unit in heating mode.	7	Led ON: Integrative user circuit heaters activated; Led blinking Domestic hot water integrative heaters activated; Led OFF: Integrative heaters not in operation.
3	Led ON: Refrigerant circuit 1 activated; When led cir1 and led cir2 are blinking a the same time it means we are entering in the programming mode.	8	Led ON: Refrigerant circuit 2 activated; When led cir1 and led cir2 are blinking a the same time it means we are entering in the programming mode.
4	Led ON: Auxiliary outputs (Not used).	9	Led blinking: Energy saving function activated.
5	Led ON: Auxiliary outputs (Not used).	10	Led ON: Menu function activated.

6.1.1 Cooling mode

To start the unit in the cooling mode, press the key. The green led is on. If requested, the compressor safety delay countdown starts and the compressor icon flashes. The water pump will be activated after few seconds, and then, once the compressor countdown has finished, the compressor starts and the icon remains on. The display shows the user water inlet temperature and Domestic hot water inlet temperature.

6.1.2 Heating mode


To start the unit in heating mode, press the  key. The green led is on. If requested, the compressor safety delay countdown starts and the compressor icon flashes. The water pump will be activated after few seconds and then, once the compressor countdown has finished, the compressor starts and the icon remains on. The display shows the user water inlet temperature and Domestic hot water inlet temperature.

6.1.3 Domestic hot water mode


At the first start up, the unit microprocessor control checks the domestic hot water inlet temperature measured by the sensor BTS (this has priority over the other parameters) and, if the measured temperature is lower than the domestic hot water set point, it will activate the domestic hot water mode automatically. If the unit is required to operate in heating and the domestic hot water temperature is higher than the set point (there is no requirement for domestic hot water) the microprocessor control will activate the unit in heating mode. If the unit is required to operate in cooling and domestic hot water mode the microprocessor control will activate both functions at the same time. If domestic hot water is not required, the microprocessor control will activate cooling mode only.

6.2 Stop

6.2.1 Cooling mode

To stop the unit in heating mode, press the key . The LED switches off. The unit goes into stand-by mode.

6.2.2 Heating mode

To stop the unit in cooling mode, press the  key. The LED switches off. The unit goes into standby mode.

6.3 Stand-by

When the unit is switched off from the keyboard or the remote panel, it goes into standby mode. In this mode, the microprocessor control displays the sensor readings and is also able to manage alarm situations. The only visible signal on the display is the green led of circuit1 and the water temperatures. If the unit is switched off from remote ON/OFF the label OFF is displayed.



If it is required to switch the unit on and off, never do this using the main isolator: this should only be used to disconnect the unit from the power supply when the unit is to be permanently off. Isolation will result in no supply for the crankcase heater and on start up the compressor could be seriously damaged.

6.4 How to change the set points



When modifying or varying the machine's operating parameters, make sure that you do not create situations that conflict with the other set parameters.



The complete display of the 3 set points (heating, domestic hot water, cooling) is ONLY available when the unit is in stand-by mode. It is suggested to put the unit in stand by when modifying set points. If the unit is not in stand-by, the only editable parameters are the ones related to the operation mode of the unit (eg. In heating mode it is only possible to change the heating and domestic hot water set points, in cooling mode it is only possible to change the cooling and domestic hot water set points.)



Select the required set point using the Press the **SET** . The label appears at the bottom of the display:

SEtH Heating set point

SEtS Domestic hot water set-point,

SEtC Cooling set point.

To set the required set-points press again the **SET** for 3 seconds. The current value flashes at the top and can be modified using the **CIR1** , **CIR2** keys we can modify the parameter. Then press the **SET** key to memorise the parameter and exit.



All set points are intended as return temperature from the plant. For example: if hot water at 45°C is required and the Δt is 5°C, then the set point will be 40°C. If the Δt is 8°C, then the set point has to be set at 37°C. If, for example, cold water is required at 15°C and the Δt is 5°C, then the set point will be 20°C. If the Δt is 8°C, then the set point has to be set at 23°C.

6.4.1 Adjustable parameters

The adjustable set point that can be modified by the end user are:

Label	Function	Adjustment limit	Default value
SEt H	Heating set-point	20÷55°C	30°C
SEt S	Domestic hot water set-point	20÷55°C	45°C
SEt C	Cooling set-point	10÷23°C	23°C
SD02	Set point compensation	0÷15°C	10°C
PAS	Password	(Contact the company)	



The units are supplied with a very sophisticated control system with many other parameters that are not adjustable by the end user; these parameters are protected by a manufacturer password.

6.5 Parameters list

By pressing the key the user has the possibility to display the many parameters. Scroll the list of the parameters using the keys, then press the key to display the required one. In this menu there is just the possibility to display the parameters. It is not possible to change any value.





The parameter list is:

Display	Lista	Simbolo	Significato
ALrM	Alarm List	ALrM	See following paragraph
ALOG	Alarm history	ALOG	See following paragraph
UPL	Uploading parameter list from hotkey	UPL	(Not used)
CrEn	Enable to stop one refrigerant circuit	CrEn	(Not used)
COEn	Enable to stop one compressor	COEn	(Not used)
HouR	Main components working hours	CO1H CO2H EP1H SAPH	Working hours compressor 1 Working hours compressor 2 (only models with 2 compressors) Working hours user water pump Working hours domestic hot water pump
COSn	Compressors start up	CO1E CO2E	Number of start up compressor 1 Number of start up compressor 2
Cond	Modulating valve source circuit control signal	Pout1 Pout2 Pout3 Pout4	(Not used) (Not used) (Not used) (Not used)
Pout	Auxiliary proportion output 0-10V		


6.6 Acoustic signal silencing

Pressing and releasing one of the keys; the buzzer is switched off, even if the alarm condition remains in place.







6.7 Alarm reset

Press the  key (the menu AlrM appears at the bottom right of the display). Press the  key to display the alarm event. In case of multiple alarms use the using the   keys, to scroll through the list of the active alarms.

There are two types of alarms:

Reset alarms: RST label appears on the upper part of the display. In this case press the  key to reset.
Non reset alarms: nO label appears on the upper part of the display. In this case the alarm is permanent; contact the company service.

6.8 Display alarm history

Press the  key, then the  ,  keys, to scroll through the menus, when ALOG label appears in the bottom part of the display, press  . To scroll the list of alarms use the   keys.

7. MAINTENANCE OF THE UNIT

7.1 General warnings

Maintenance can:

- Keep the equipment operating efficiently
- Prevent failures
- Increase the equipment life



It is advisable to maintain a record book for the unit which details all operations performed on the unit as this will facilitate troubleshooting.



Maintenance must be performed in compliance with all requirements of the previous paragraphs.



Use personal protective equipment required by regulations as compressor casings and discharge pipes are at high temperatures. Coil fins are sharp and present a cutting hazard.



If the unit is not to be used during the winter period, the water contained in the pipes may freeze and cause serious damage. In this event, fully drain the water from the pipes, checking that all parts of the circuit are empty including any internal or external traps and siphons.

7.2 Drive access

Access to the unit once installed, should only be possible to authorized operators and technicians. The owner of the equipment is the company legal representative, entity or person owns the property where the machine is installed.

They are fully responsible for all safety rules given in this manual and regulations. If it is not possible to prevent access to the machine by outsiders, a fenced area around the machine at least 1.5 meters away from external surfaces in which operators and technicians only can operate, must be provided.

7.3 Periodical checks



The start-up operations should be performed in compliance with all requirements of the previous paragraphs.



All of the operations described in this chapter **MUST BE PERFORMED BY TRAINED PERSONNEL ONLY**. Before commencing service work on the unit ensure that the electric supply is disconnected. The top case and discharge line of compressor are usually at high temperature. Care must be taken when working in their surroundings. Aluminium coil fins are very sharp and can cause serious wounds. Care must be taken when working in their surroundings. After servicing, replace the cover panels, fixing them with locking screws.

7.3.1 Every 6 months

It is advisable to perform periodic checks in order to verify the correct working of the unit.

- Check that safety and control devices work correctly as previously described.
- Check all the terminals on the electric board and on the compressor are properly fixed.
- Check and clean the sliding terminals of the contactors.
- Check for water leaks in the hydraulic system.
- Check correct operation of the flow switch and clean the strainers on the pipework.
- Check the compressor crankcase heater has the proper supply and is functioning correctly.
- Check the colour of the sight glass core (green=no moisture, yellow=moisture present): if it has a yellow colour, change the refrigerant filter.

7.3.2 End of seasons or unit switched off

If the unit is to be left out of commission for a long period, the hydraulic circuit should be drained down. This operation is compulsory if the ambient temperature is expected to drop below the freezing point of the fluid in the circuit (water or Glycol mix).

7.4 Refrigerant circuit repair



If the refrigerant circuit is to be emptied, all the refrigerant must be recovered using the correct equipment.

For leak detection, the system should be charged with nitrogen using a gas bottle with a pressure reducing valve, until 15 bar pressure is reached. Any leakage is detected using a bubble leak finder. If bubbles appear discharge the nitrogen from the circuit before brazing using the proper alloys.



Never use oxygen instead of nitrogen: explosions may occur.

Site assembled refrigerant circuits must be assembled and maintained carefully, in order to prevent malfunctions.

Therefore:

- Avoid oil replenishment with products that are different from that specified and that are pre-loaded into the compressor.
- In the event of a gas leakage on machines using refrigerant R407C, even if it is only a partial leak, do not top up. The entire charge must be recovered, the leak repaired and a new refrigerant charge weighed in to the circuit.
- When replacing any part of the refrigerant circuit, do not leave it exposed for more than 15 minutes.
- It is important when replacing a compressor that the task be completed within the time specified above after removing the rubber sealing caps.
- When replacing the compressor following a burn out, it is advisable to wash the cooling system with appropriate products including a filter for acid.
- When under vacuum do not switch on the compressor.

8. DECOMMISSIONING

8.1 Disconnect the unit



All decommissioning operations must be performed by authorized personnel in accordance with the national legislation in force in the country where the unit is located.

- Avoid spills or leaks into the environment.
- Before disconnecting the machine please recover:
 - the refrigerant gas;
 - Glycol mixture in the hydraulic circuit;
 - the compressor lubricating oil.

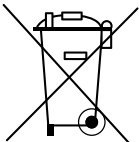
Before decommissioning the machine can be stored outdoors, providing that it has the electrical box, refrigerant circuit and hydraulic circuit intact and closed.

8.2 Disposal, recovery and recycling

The frame and components, if unusable, should be taken apart and sorted by type, especially copper and aluminum that are present in large quantities in the machine.

All materials must be recovered or disposed in accordance with national regulations.

8.3 RAEE Directive (only UE)



- The RAEE Directive requires that the disposal and recycling of electrical and electronic equipment must be handled through a special collection, in appropriate centers, separate from that used for the disposal of mixed urban waste.
- The user has the obligation not to dispose of the equipment at the end of the useful life as municipal waste, but to send it to a special collection center.
- The units covered by the RAEE Directive are marked with the symbol shown above.
- The potential effects on the environment and human health are detailed in this manual.
- Additional information can be obtained from the manufacturer.

9. DIAGNOSIS AND TROUBLESHOOTING

9.1 Fault finding

All units are checked and tested at the factory before shipment, however, during operation an anomaly or failure can occur.



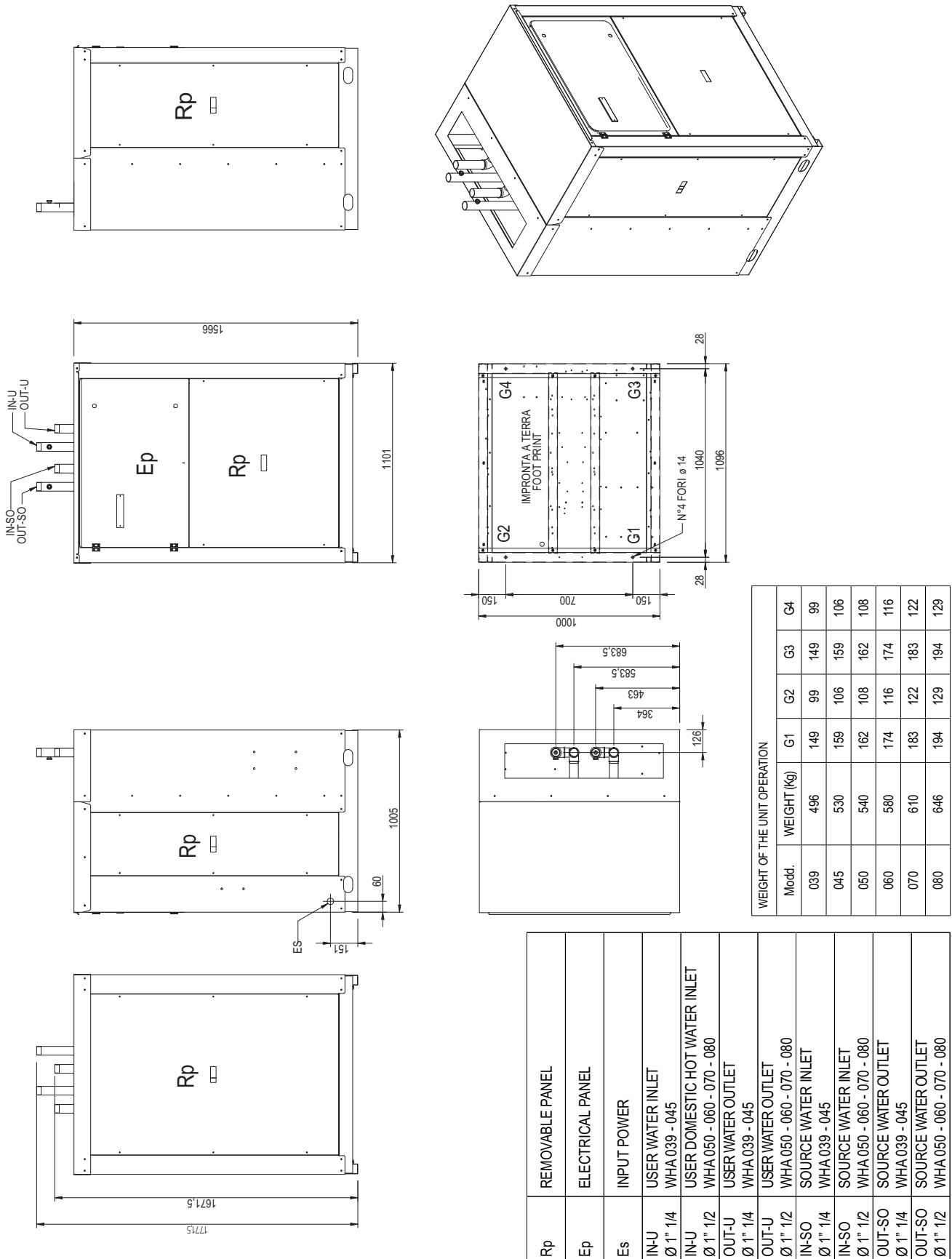
BE SURE TO RESET AN ALARM ONLY AFTER YOU HAVE REMOVED THE CAUSE OF THE FAULT; REPEATED RESET MAY RESULT IN IRREVOCABLE DAMAGE TO THE UNIT.

Code	Alarm Description	Cause	Solution
ACF1	Configuration alarm	Wrong configuration of microprocessor control system.	Contact the company.
ACF2	Configuration alarm		
ACF3	Configuration alarm		
ACF4	Configuration alarm		
ACF5	Configuration alarm		
ACF6	Configuration alarm		
ACF7	Configuration alarm		
ACF8	Configuration alarm		
ACF9	Configuration alarm		
AEE	Eeprom alarm	Severe hardware damage in the microprocessor control system.	Switch OFF the unit and, after few second switch ON the unit; if the alarm appears again contact the service.
AEFL	User water flow switch alarm	Presence of air or dirtiness in the user hydraulic system.	Bleed carefully the user hydraulic system or check and clean the water strainer.
AEU _n	Compressor unloading alarm (only units with 2 compressors)	User water temperature is too high.	Wait until the user water temperature is lower.
AHFL	Domestic hot water flow switch alarm	Presence of air or dirtiness in the user hydraulic system.	Bleed carefully the user hydraulic system or check and clean the water strainer.
AP1	Alarm user inlet water temperature sensor	Wrong electrical connection, Sensor defect.	Check the electrical connection of the sensor to the terminal board, if correct call the service to replace the sensor.
AP10	Alarm safety domestic hot water sensor		
AP2	Alarm user outlet water temperature sensor		
AP3	Alarm pressure transducer		
AP4	Alarm finned coil sensor / defrost sensor		
AP5	Alarm domestic hot water inlet temperature sensor		
AP6	Alarm domestic hot water outlet temperature sensor		

Code	Alarm Description	Cause	Solution
AP7	Alarm ambient sensor	Wrong electrical connection, Sensor defect.	Check the electrical connection of the sensor to the terminal board, if correct call the service to replace the sensor.
AP8	Not used		
AP9	Not used		
AtE1	Not used		
AtE2	Not used		
B1 HP	High pressure switch circuit 1	<p>In heating mode: Insufficient user circuit water flow; Insufficient domestic hot water circuit water flow.</p> <p>In cooling mode: Insufficient air flow at the source fan; Insufficient domestic hot water circuit water flow.</p>	<p>Restore the correct user circuit water flow. Restore the correct domestic hot water circuit water flow.</p> <p>Restore the correct air flow to source fan. Restore the correct domestic hot water circuit water flow.</p>
b1AC	Anti-freeze alarm circuit 1 (cooling mode)	Too low water temperature	Check user temperature set point; Check user water flow.
b1AH	Anti-freeze alarm circuit 1 (heating mode)	Too low water temperature	Check user temperature set point.
b1dF	Wrong defrost circuit 1 (maximum time admitted)	Defrost time too long; Outside temperature outside the working limits; Refrigerant charge leakage.	Check defrost set point; Restore normal working conditions; Find leakage and repair.
b1hP	High pressure transducer alarm circuit 1	Transducer defect	Replace the faulty transducer.
B1LP	Low pressure switch circuit 1	Refrigerant charge leakage.	Find leakage and repair.
b1IP	Low pressure transducer alarm circuit 1	Transducer defect	Replace the faulty transducer.
b1tF	Overload source fan alarm	Fan input current outside operation limits.	Check the proper operation of the source fan and, in case replace it.
C1tr	Compressor 1 overload	Compressor 1 input current outside operation limits.	Contact the Company
C2tr	Compressor 2 overload	Compressor 2 input current outside operation limits.	Contact the Company
C3tr	Compressor 3 overload	Compressor 3 input current outside operation limits.	Contact the Company
C4tr	Compressor 4 overload	Compressor 4 input current outside operation limits.	Contact the Company
C5tr	Compressor 5 overload	Compressor 5 input current outside operation limits.	Contact the Company
C6tr	Compressor 6 overload	Compressor 6 input current outside operation limits.	Contact the Company

10.DIMENSIONAL DRAWINGS

Dimensional drawings WHA 039-045-050-060-070-080

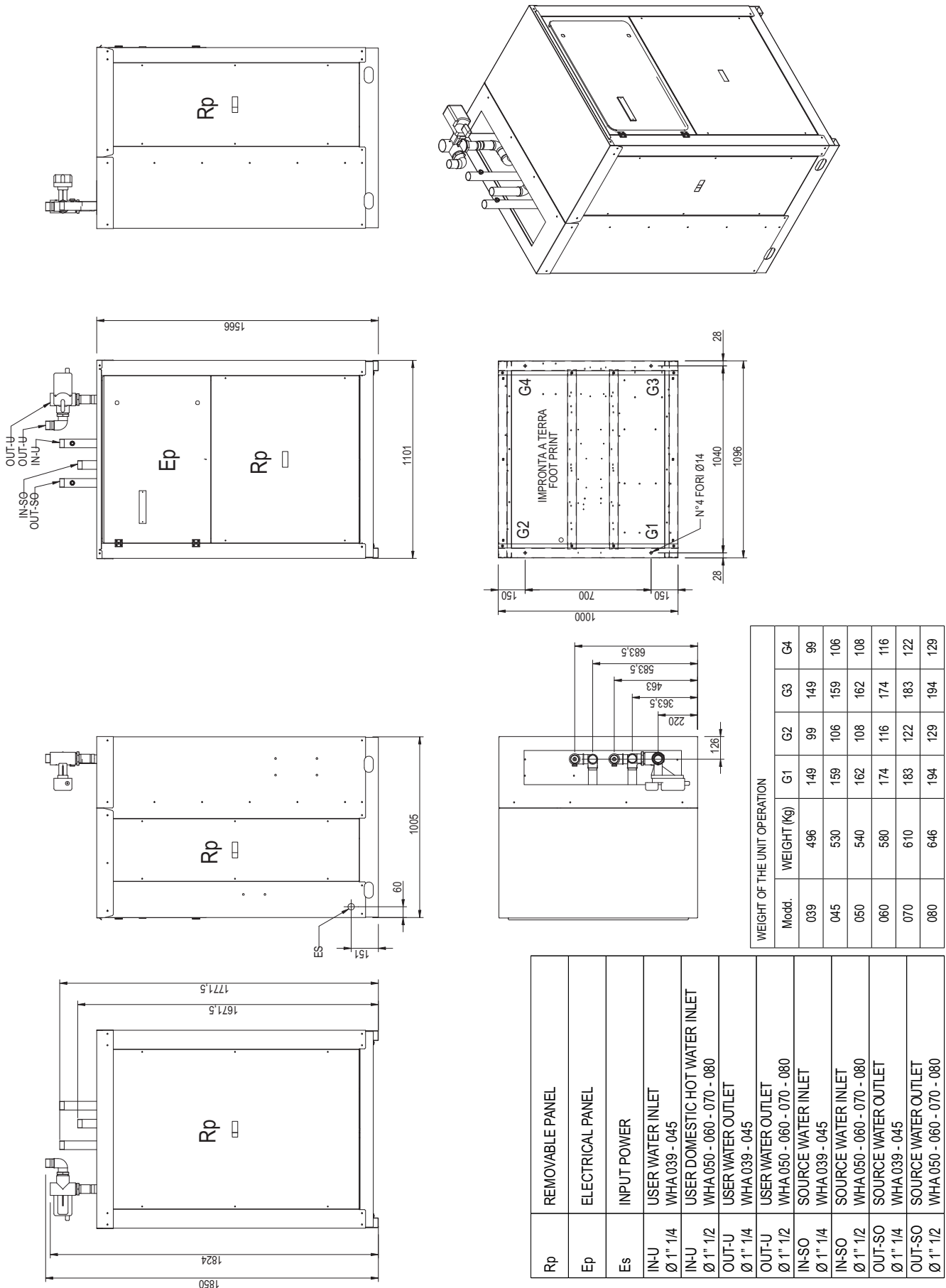


WEIGHT OF THE UNIT OPERATION

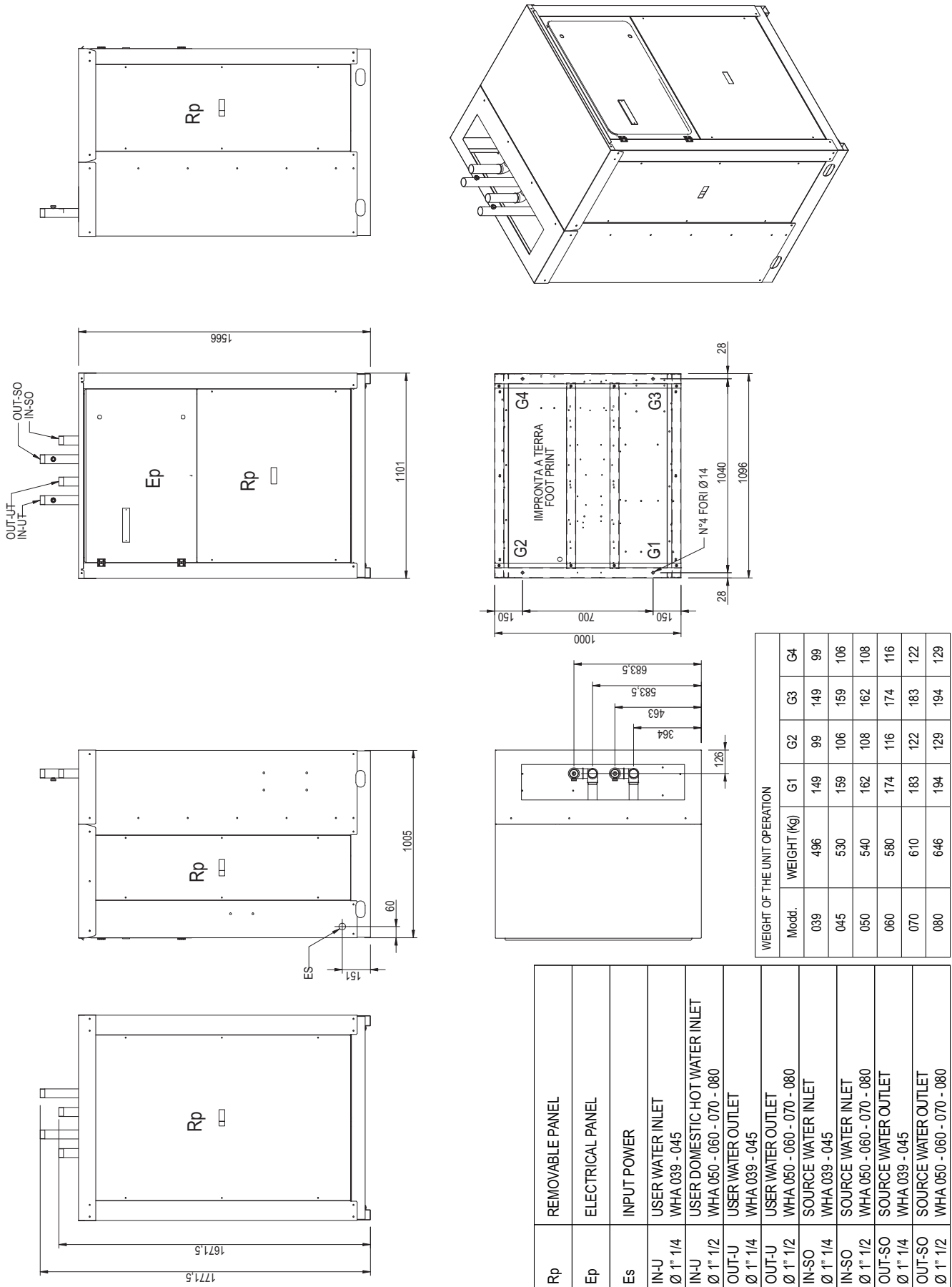
Modd.	WEIGHT (kg)	G1	G2	G3	G4
039	496	149	99	149	99
045	530	159	106	159	106
050	540	162	108	162	108
060	580	174	116	174	116
070	610	183	122	183	122
080	646	194	129	194	129

Rp	REMOVABLE PANEL
Ep	ELECTRICAL PANEL
Es	INPUT POWER
IN-U Ø 1" 1/4	USER WATER INLET WHA 039 - 045
IN-U Ø 1" 1/2	USER DOMESTIC HOT WATER INLET WHA 050 - 060 - 070 - 080
OUT-U Ø 1" 1/4	USER WATER OUTLET WHA 039 - 045
OUT-U Ø 1" 1/2	USER WATER OUTLET WHA 050 - 060 - 070 - 080
IN-SO Ø 1" 1/4	SOURCE WATER INLET WHA 039 - 045
IN-SO Ø 1" 1/2	SOURCE WATER INLET WHA 050 - 060 - 070 - 080
OUT-SO Ø 1" 1/4	SOURCE WATER OUTLET WHA 039 - 045
OUT-SO Ø 1" 1/2	SOURCE WATER OUTLET WHA 050 - 060 - 070 - 080

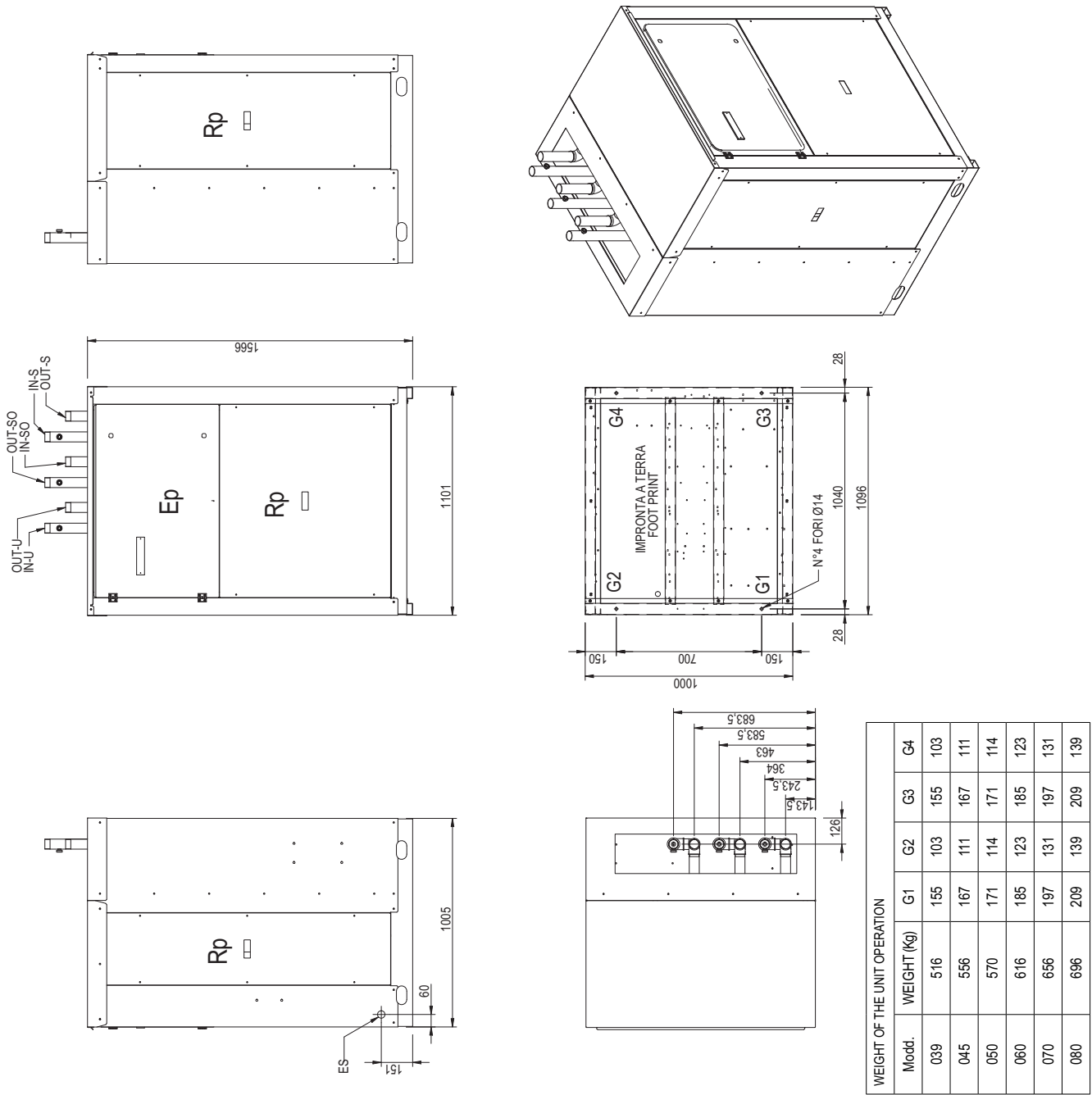
Dimensional drawings WHA/SW5 039-045-050-060-070-080



Dimensional drawings WHA/RV 039-045-050-060-070-080

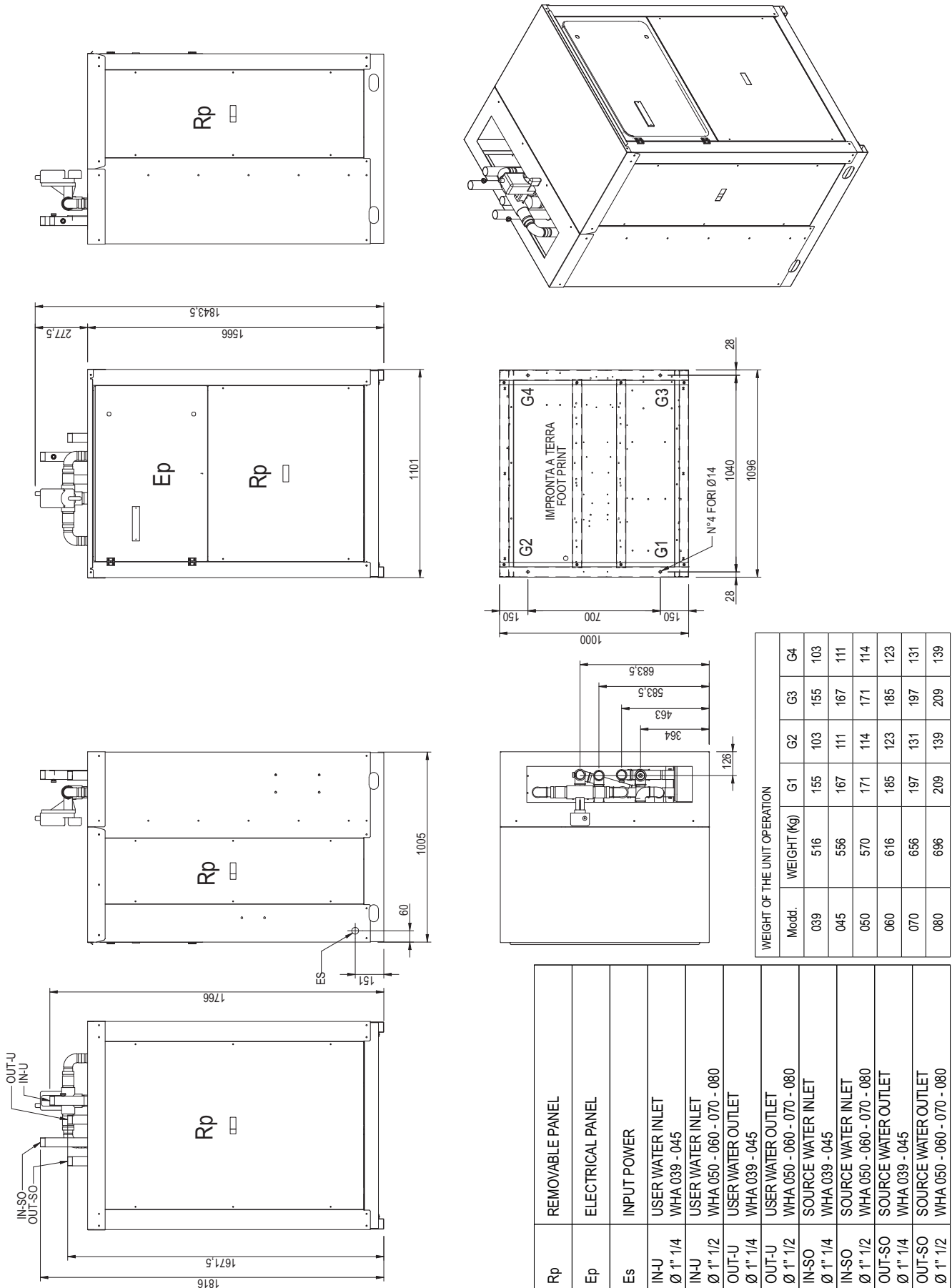


Dimensional drawings WHA/RV/SW6 039-045-050-060-070-080

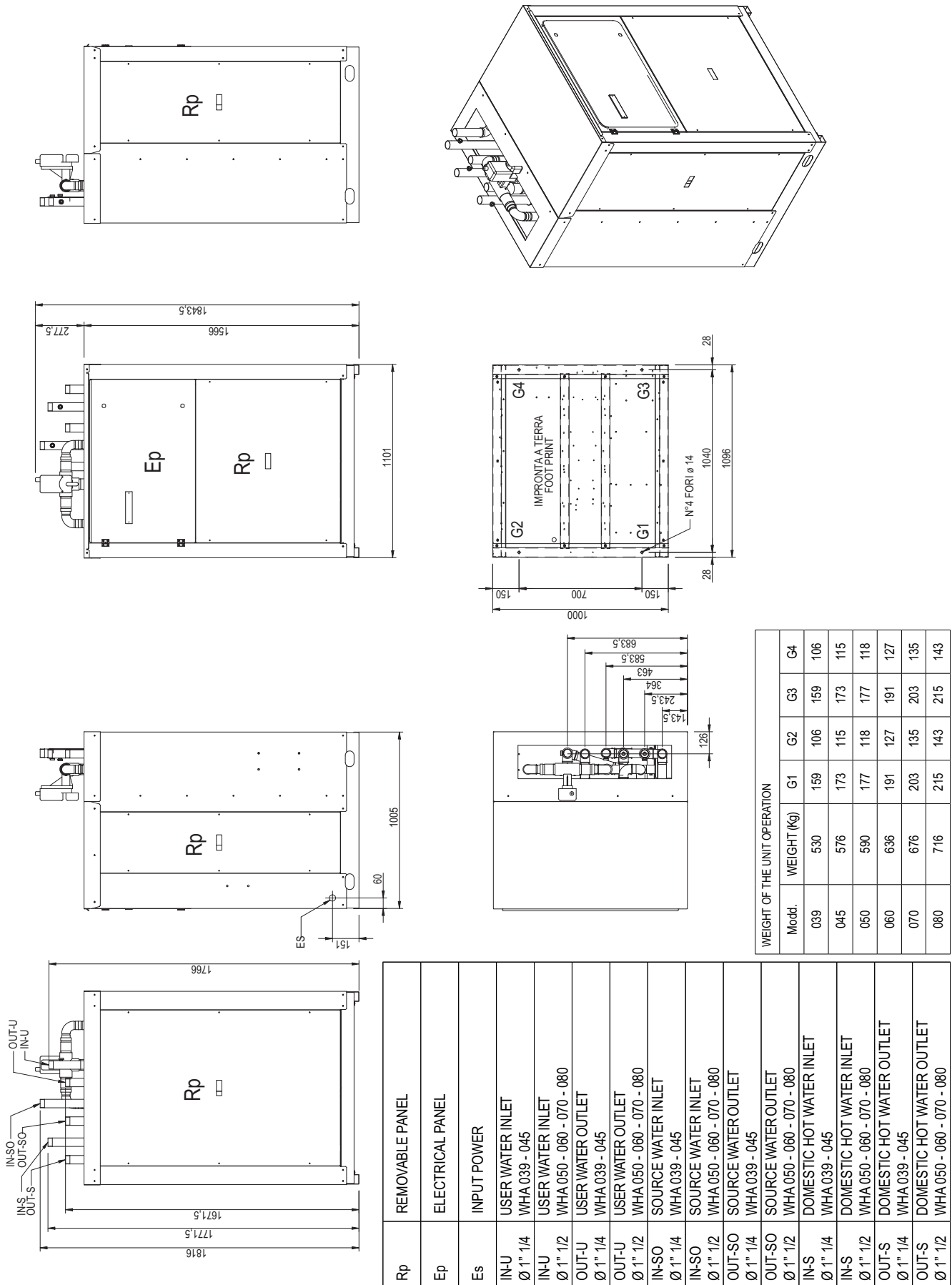


Rp	REMOVABLE PANEL
Ep	ELECTRICAL PANEL
Es	INPUT POWER
IN-U Ø 1" 1/4	USER WATER INLET WHA 039 - 045
IN-U Ø 1" 1/2	USER WATER INLET WHA 050 - 060 - 070 - 080
OUT-U Ø 1" 1/4	USER WATER OUTLET WHA 039 - 045
OUT-U Ø 1" 1/2	USER WATER OUTLET WHA 050 - 060 - 070 - 080
IN-SO Ø 1" 1/4	SOURCE WATER INLET WHA 039 - 045
IN-SO Ø 1" 1/2	SOURCE WATER INLET WHA 050 - 060 - 070 - 080
OUT-SO Ø 1" 1/4	SOURCE WATER OUTLET WHA 039 - 045
OUT-SO Ø 1" 1/2	SOURCE WATER OUTLET WHA 050 - 060 - 070 - 080
IN-S Ø 1" 1/4	DOMESTIC HOT WATER INLET WHA 039 - 045
IN-S Ø 1" 1/2	DOMESTIC HOT WATER INLET WHA 050 - 060 - 070 - 080
OUT-S Ø 1" 1/4	DOMESTIC HOT WATER OUTLET WHA 039 - 045
OUT-S Ø 1" 1/2	DOMESTIC HOT WATER OUTLET WHA 050 - 060 - 070 - 080

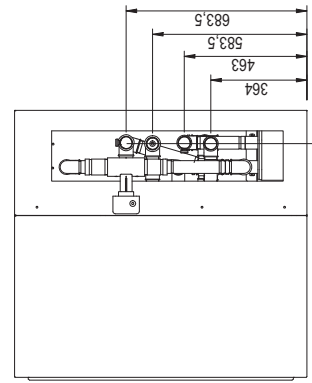
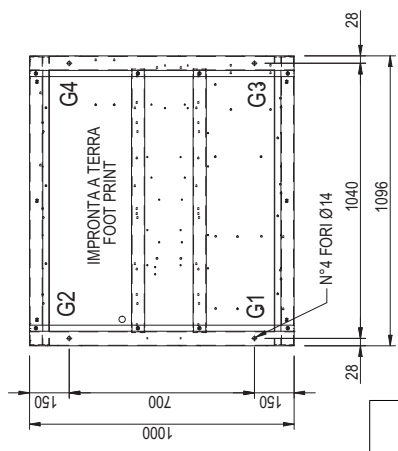
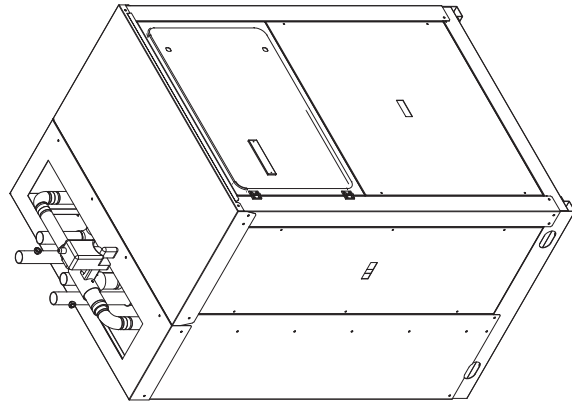
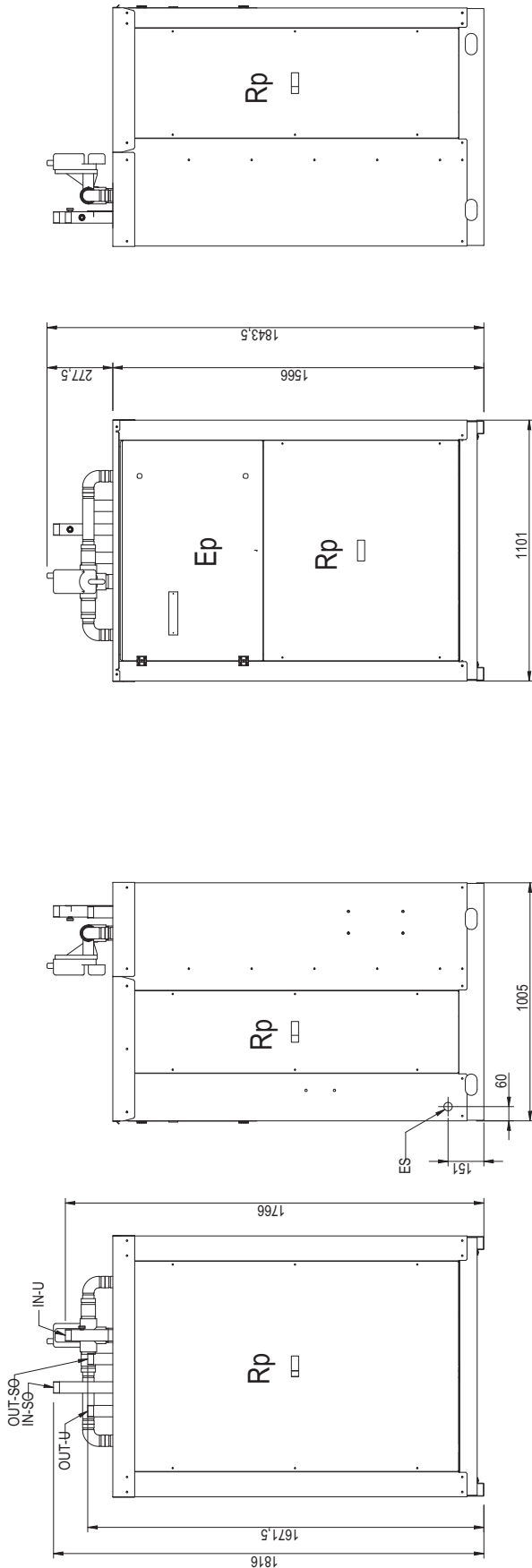
Dimensional drawings WHA/FC/RV 039-045-050-060-070-080



Dimensional drawings WHA/FC/RV/SW6 039-045-050-060-070-080



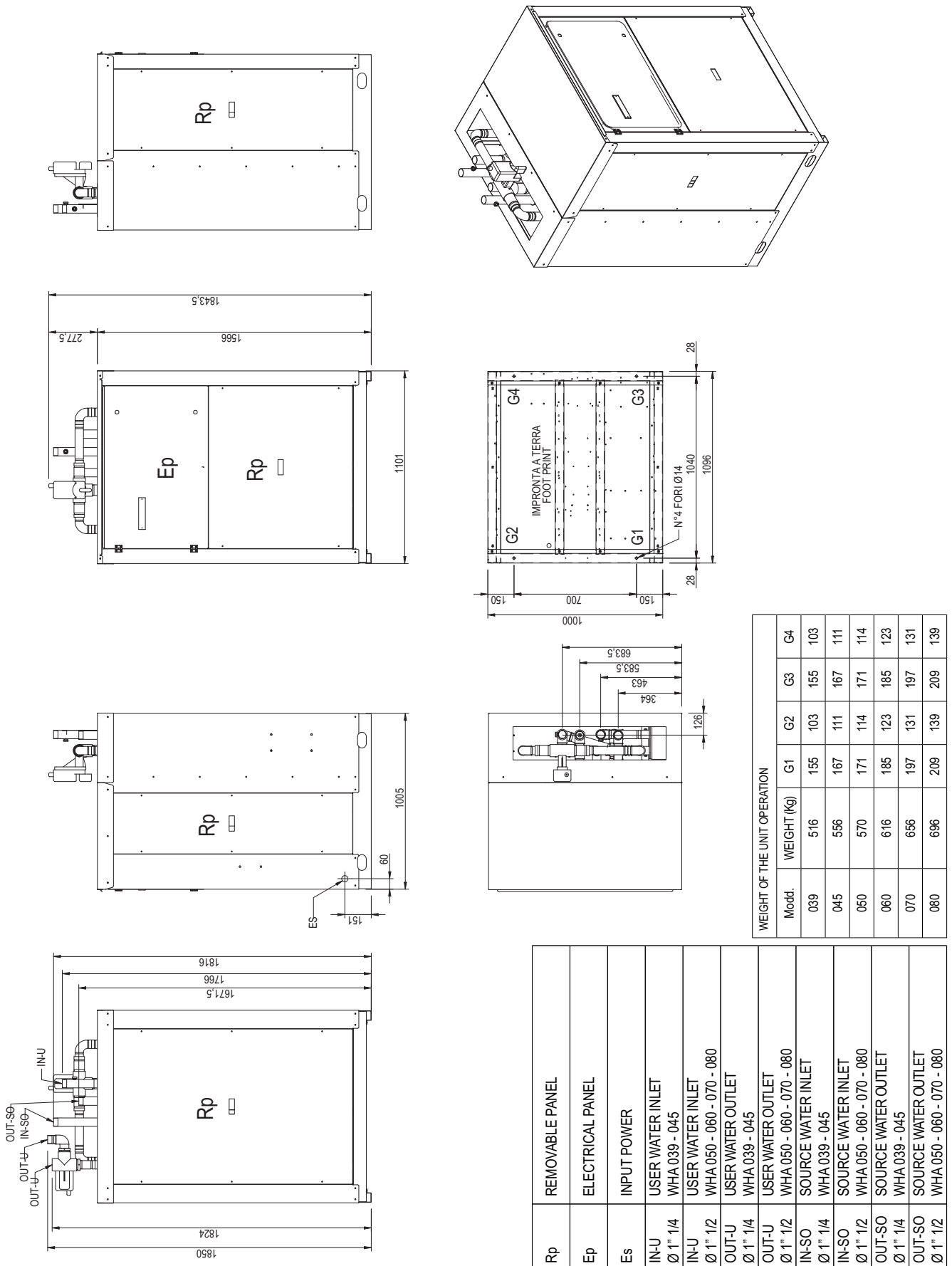
Dimensional drawings WHA/FC 039-045-050-060-070-080



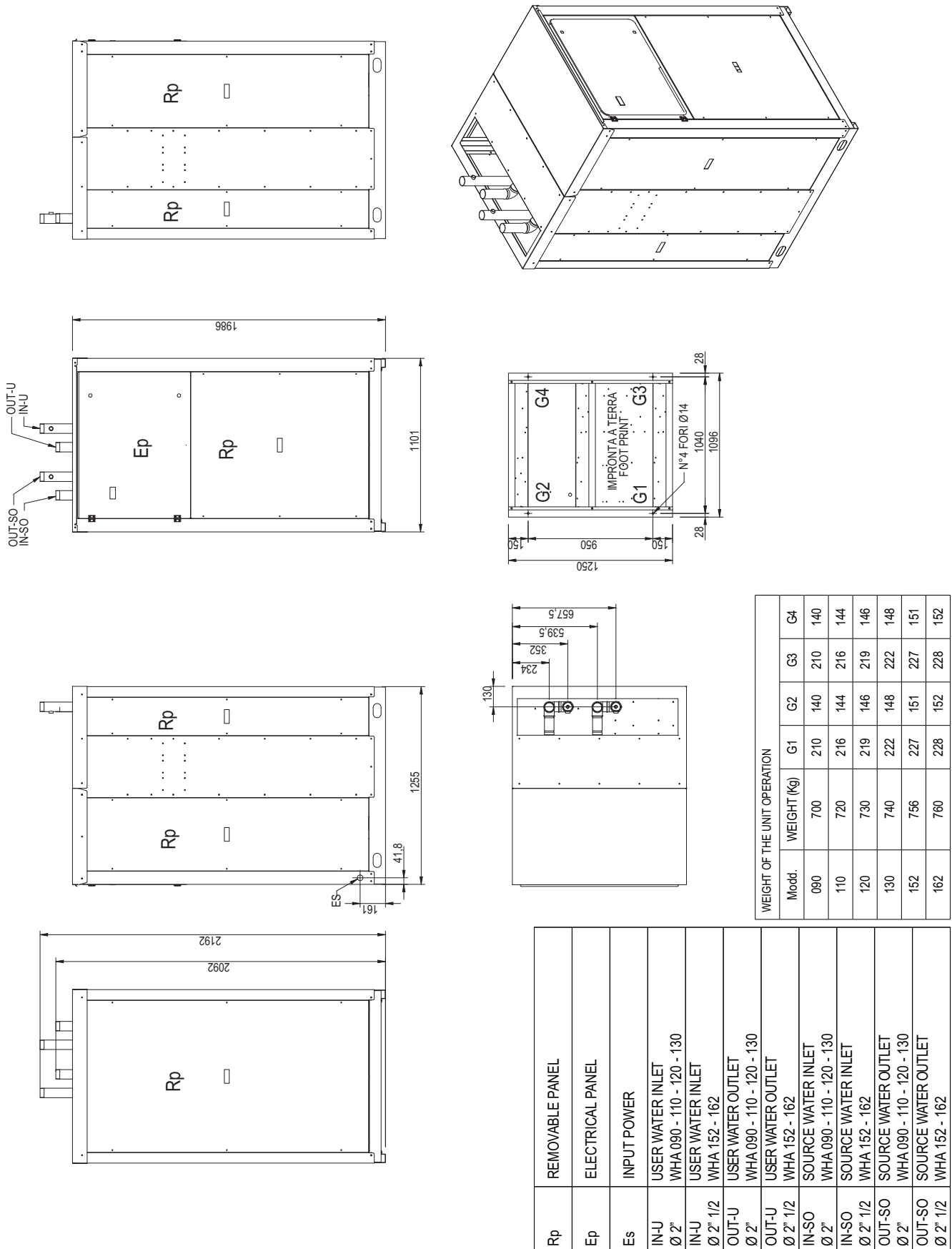
WEIGHT OF THE UNIT OPERATION						
Modd.	WEIGHT (kg)	G1	G2	G3	G4	
039	516	155	103	155	103	
045	556	167	111	167	111	
050	570	171	114	171	114	
060	616	185	123	185	123	
070	656	197	131	197	131	
080	696	209	139	209	139	

Rp	REMOVABLE PANEL
Ep	ELECTRICAL PANEL
Es	INPUT POWER
IN-U	USER WATER INLET Ø 1" 1/4 WHA 039 - 045
IN-U	USER WATER INLET Ø 1" 1/2 WHA 050 - 060 - 070 - 080
OUT-U	USER WATER OUTLET Ø 1" 1/4 WHA 039 - 045
OUT-U	USER WATER OUTLET Ø 1" 1/2 WHA 050 - 060 - 070 - 080
IN-SO	SOURCE WATER INLET Ø 1" 1/4 WHA 039 - 045
IN-SO	SOURCE WATER INLET Ø 1" 1/2 WHA 050 - 060 - 070 - 080
OUT-SO	SOURCE WATER OUTLET Ø 1" 1/4 WHA 039 - 045
OUT-SO	SOURCE WATER OUTLET Ø 1" 1/2 WHA 050 - 060 - 070 - 080

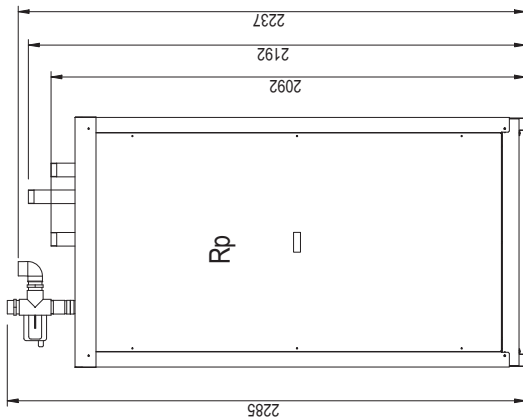
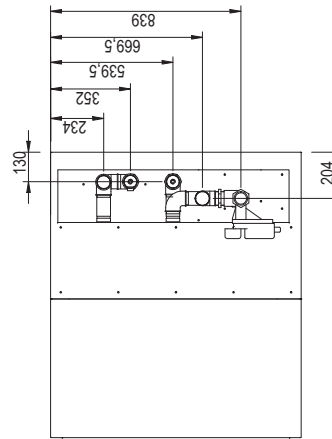
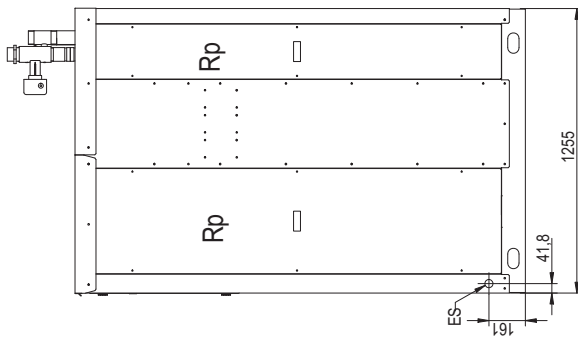
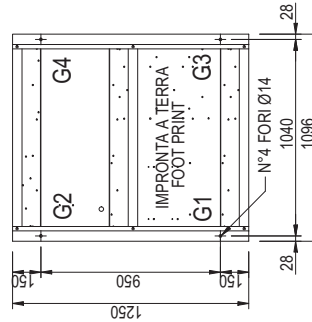
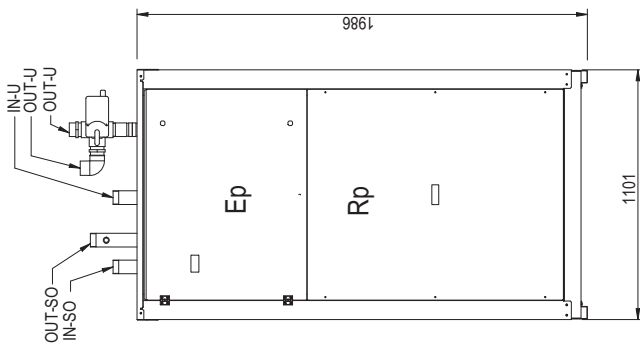
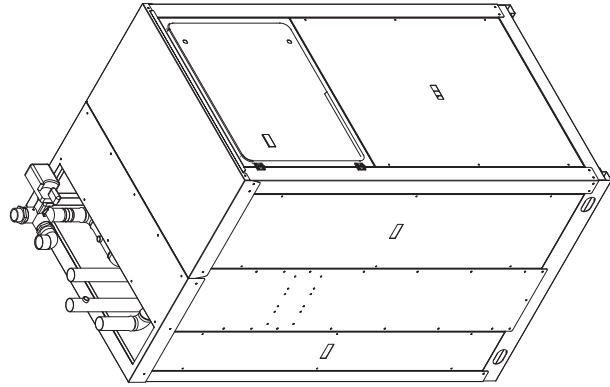
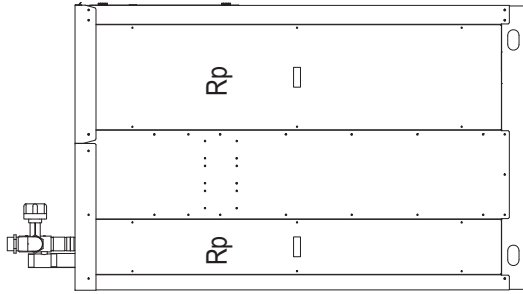
Dimensional drawings WHA/FC/SW5 039-045-050-060-070-080



Dimensional drawings WHA 090-110-120-130-152-162



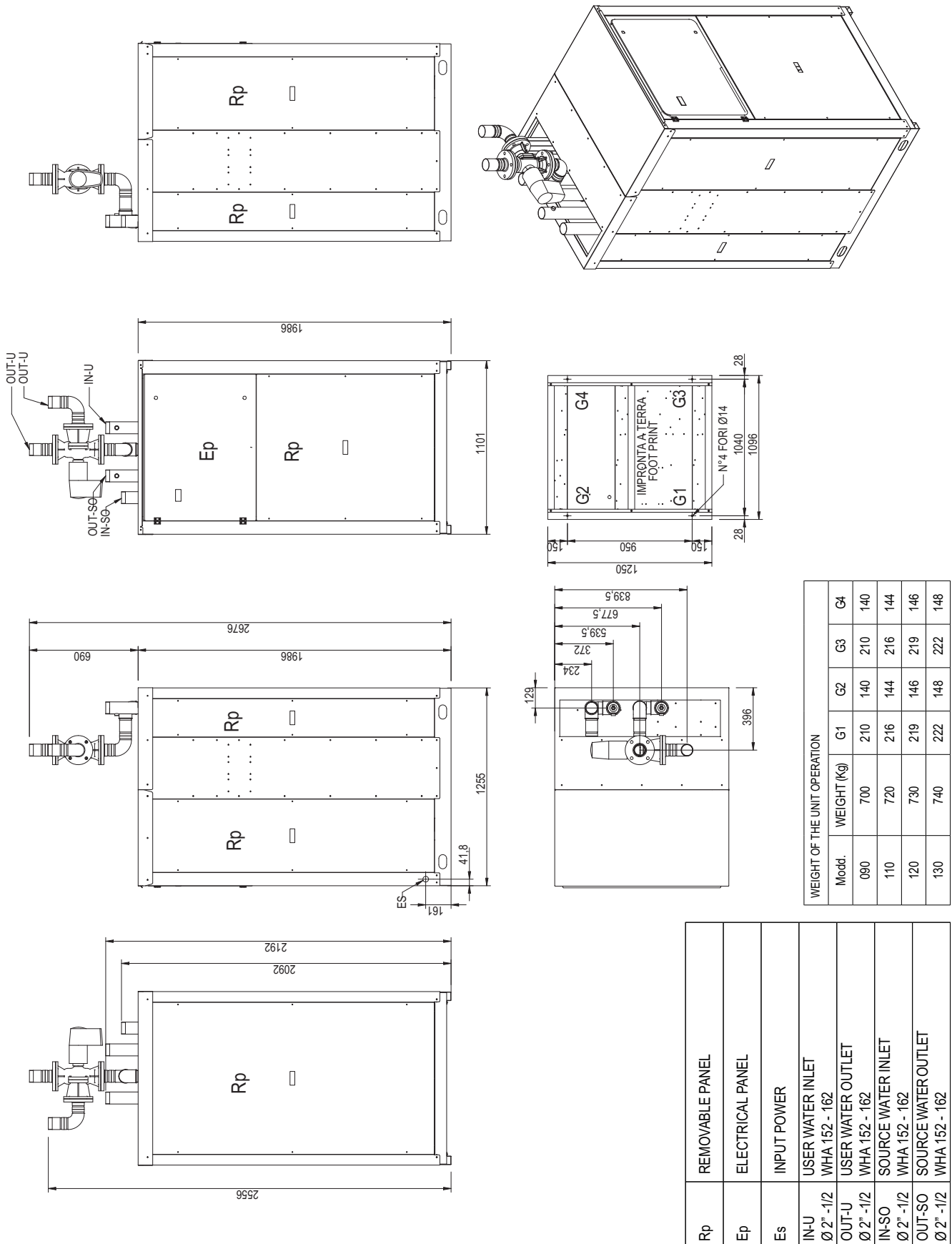
Dimensional drawings WHA/SW5 090-110-120-130



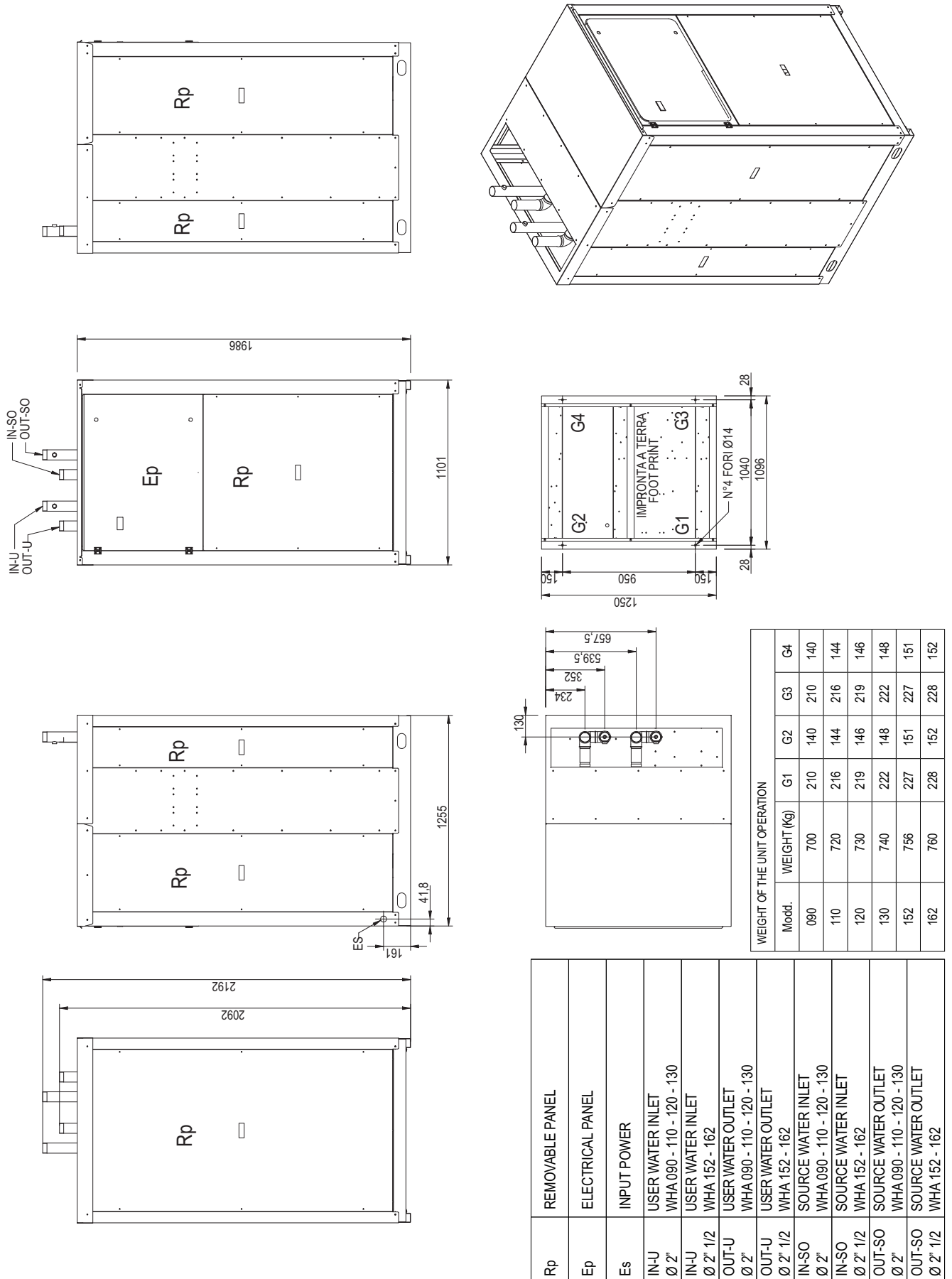
WEIGHT OF THE UNIT OPERATION					
Modd.	WEIGHT (kg)	G1	G2	G3	G4
090	700	210	140	210	140
110	720	216	144	216	144
120	730	219	146	219	146
130	740	222	148	222	148

Rp	REMOVABLE PANEL
Ep	ELECTRICAL PANEL
Es	INPUT POWER
IN-U Ø 2"	USER WATER INLET WHA.090 - 110 - 120 - 130
OUT-U Ø 2"	USER WATER OUTLET WHA.090 - 110 - 120 - 130
IN-SO Ø 2"	SOURCE WATER INLET WHA.090 - 110 - 120 - 130
OUT-SO Ø 2"	SOURCE WATER OUTLET WHA.090 - 110 - 120 - 130

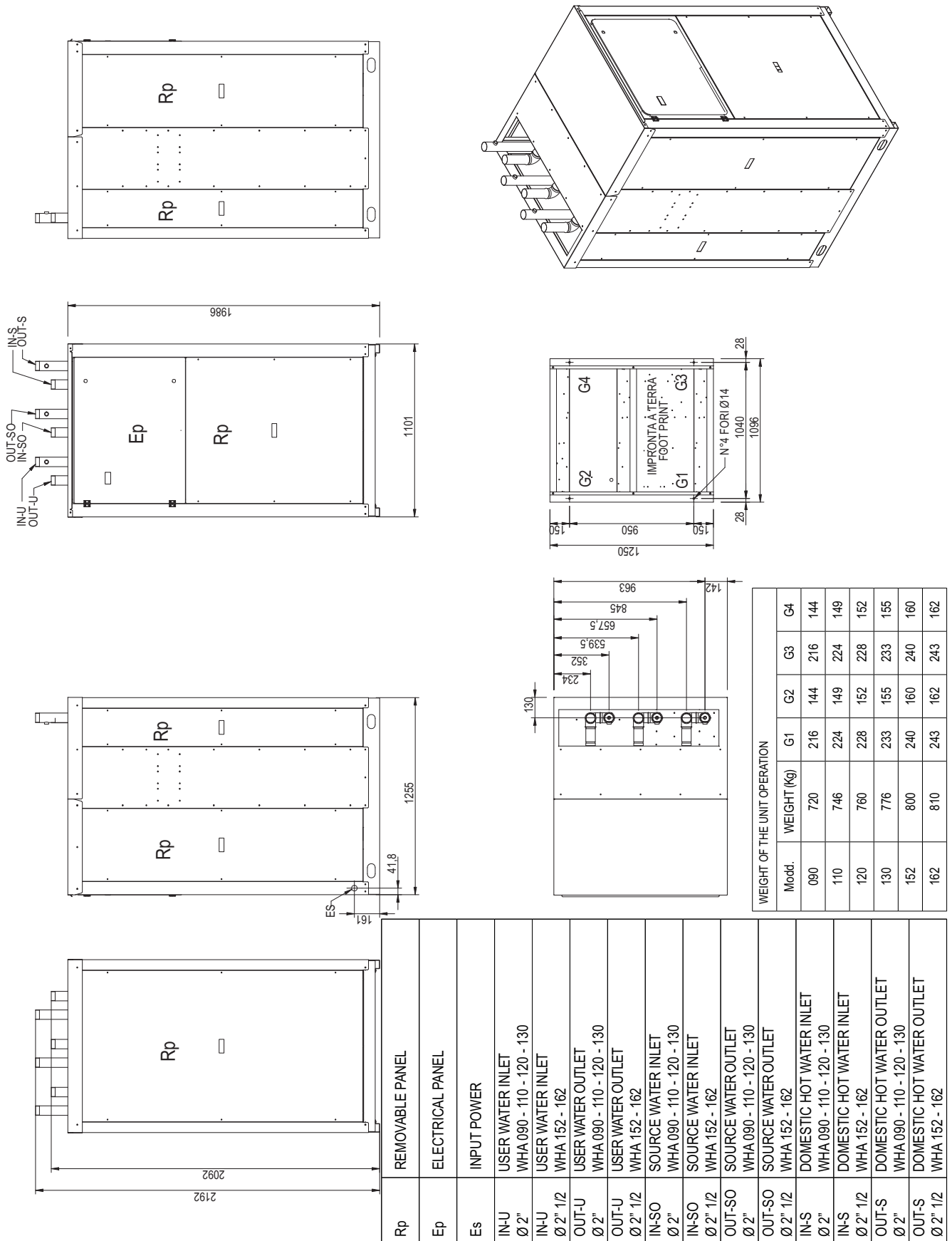
Dimensional drawings WHA/SW5 152-162



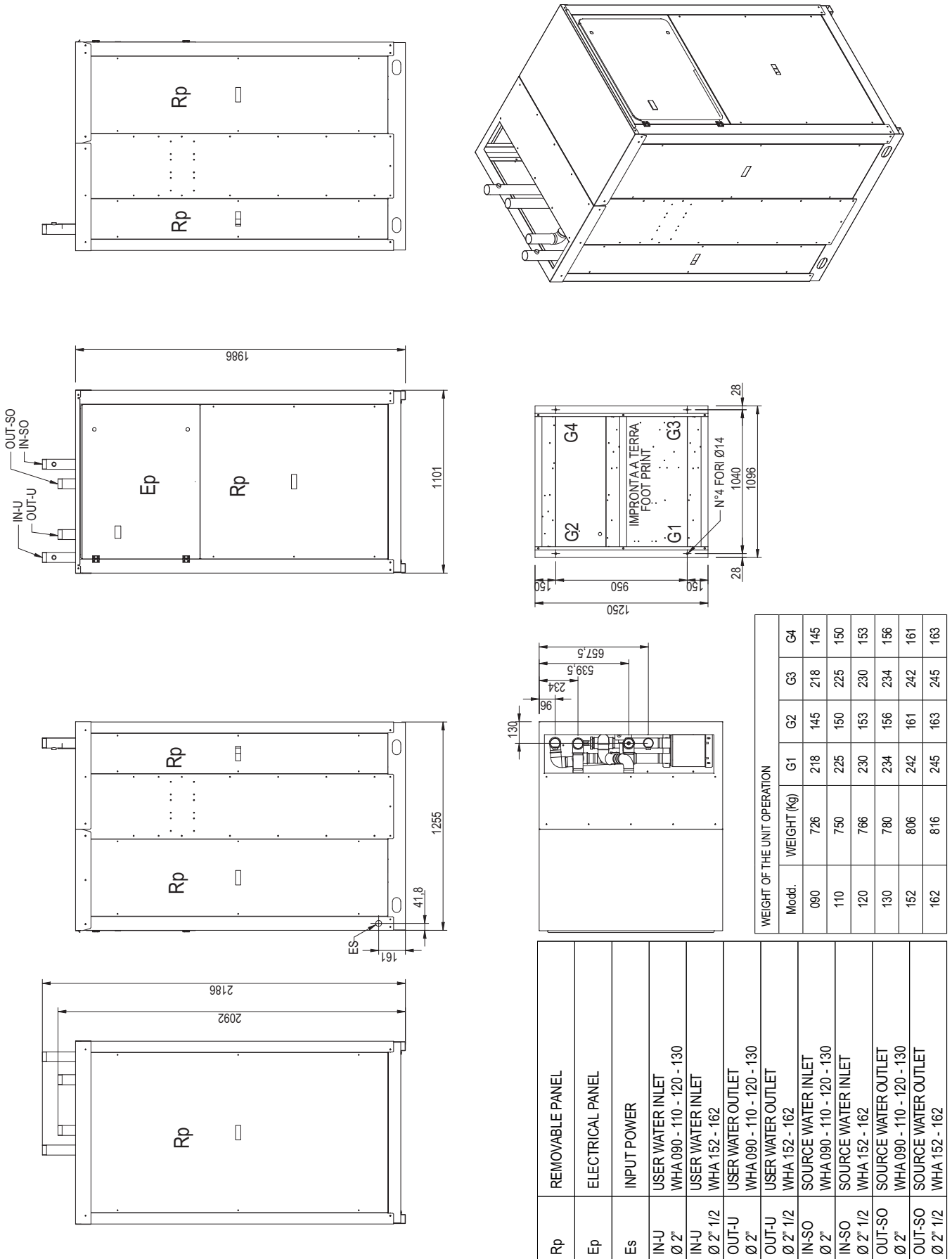
Dimensional drawings WHA/RV 090-110-120-130-152-162



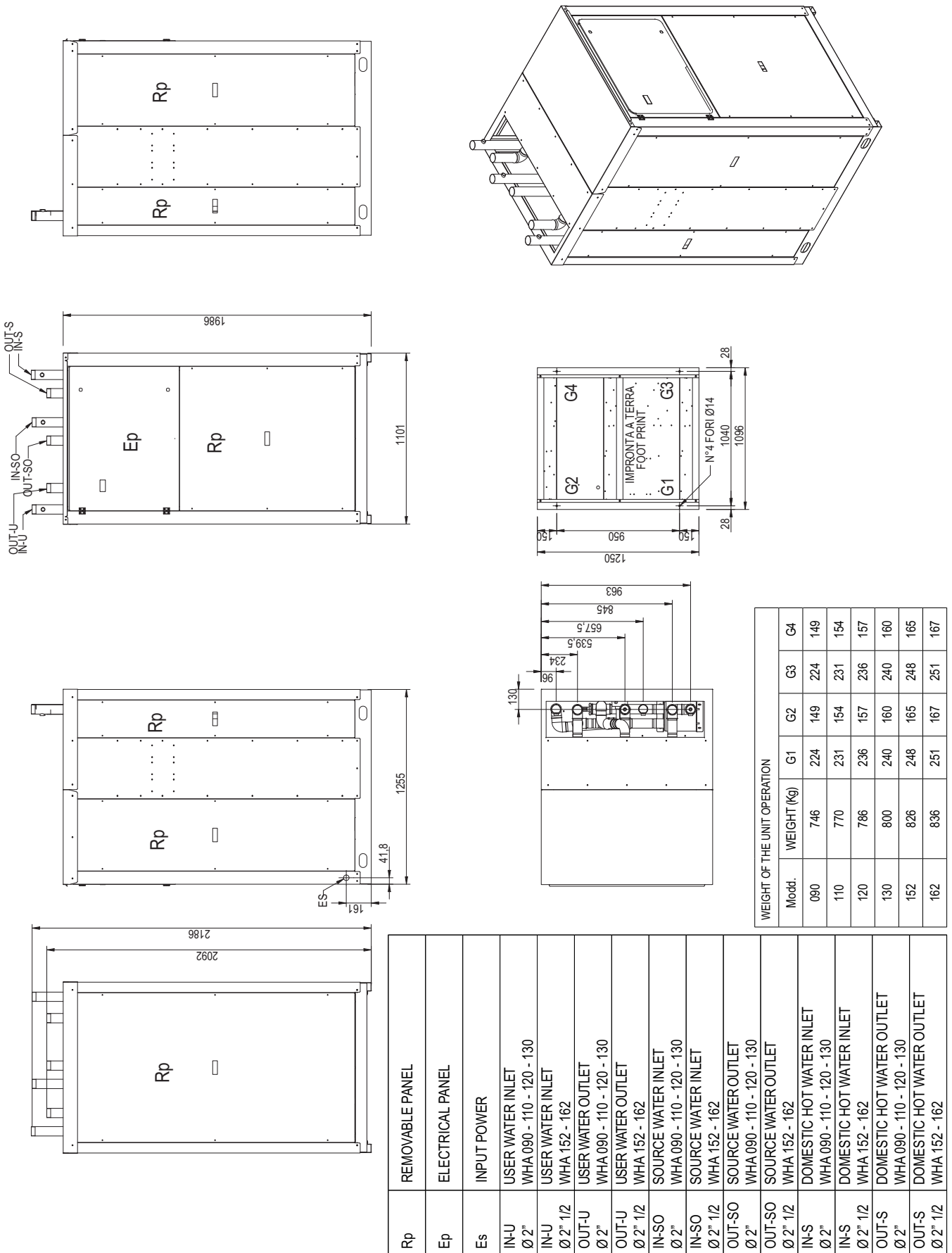
Dimensional drawings WHA/RV/SW6 090-110-120-130-152-162



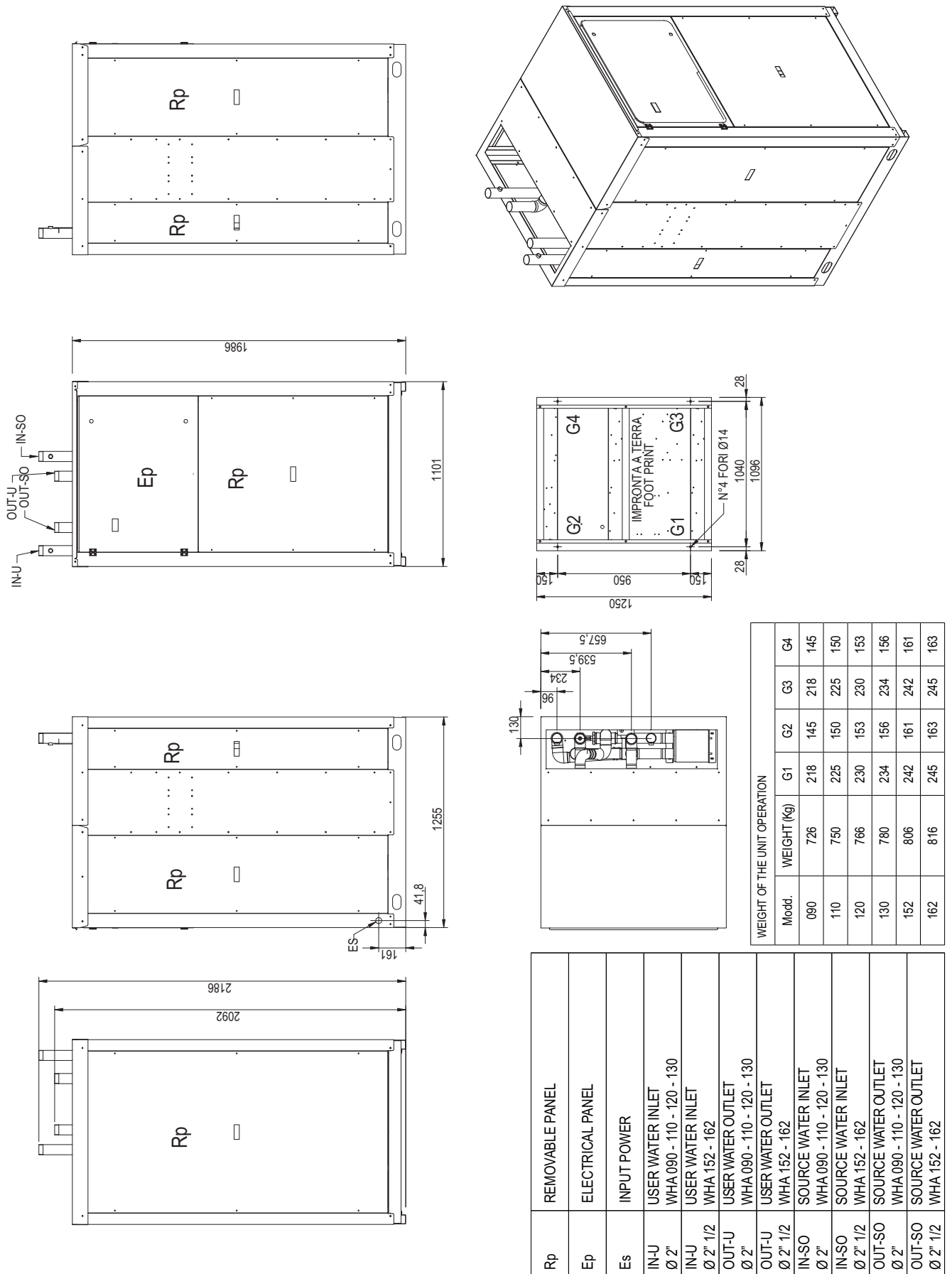
Dimensional drawings WHA/FC/RV 090-110-120-130-152-162



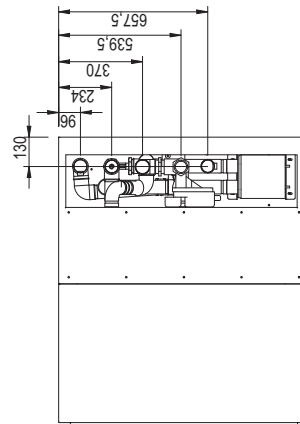
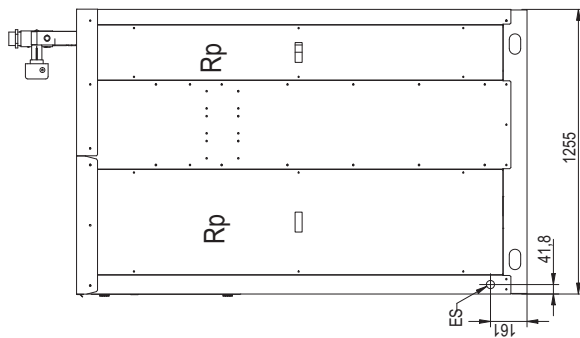
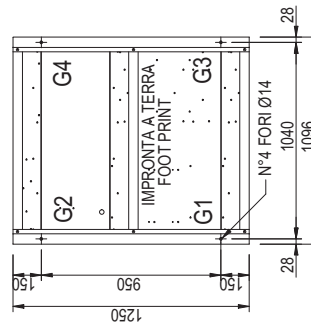
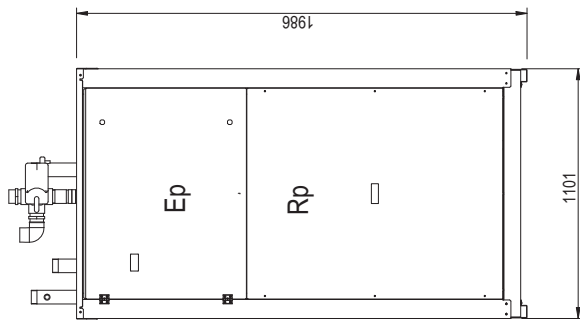
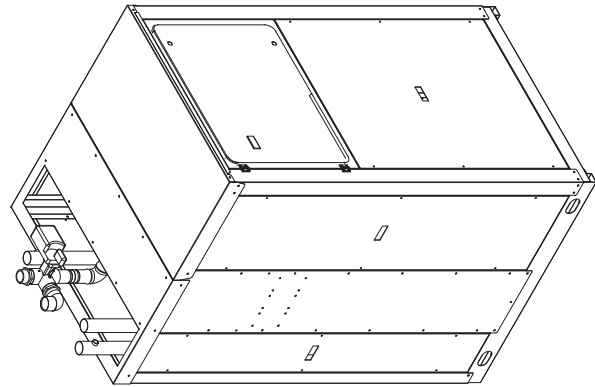
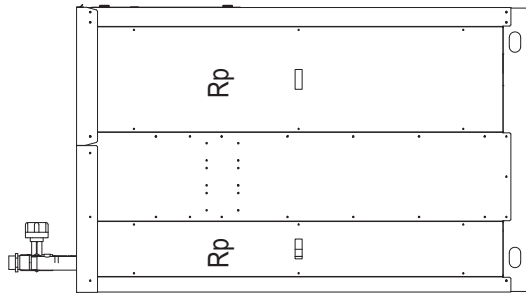
Dimensional drawings WHA/FC/RV/SW6 090-110-120-130-152-162



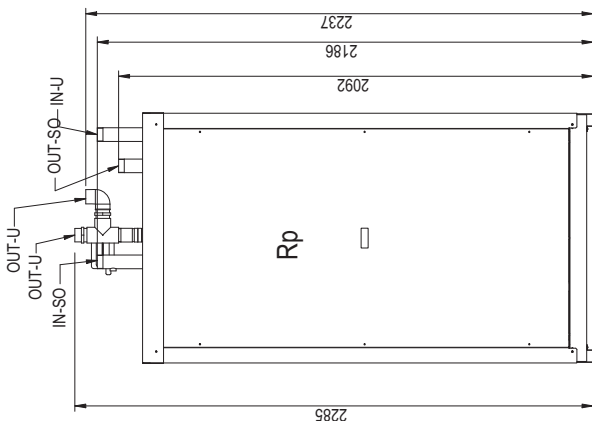
Dimensional drawings WHA/FC 090-110-120-130-152-162



Dimensional drawings WHA/FC/SW5 090-110-120-130

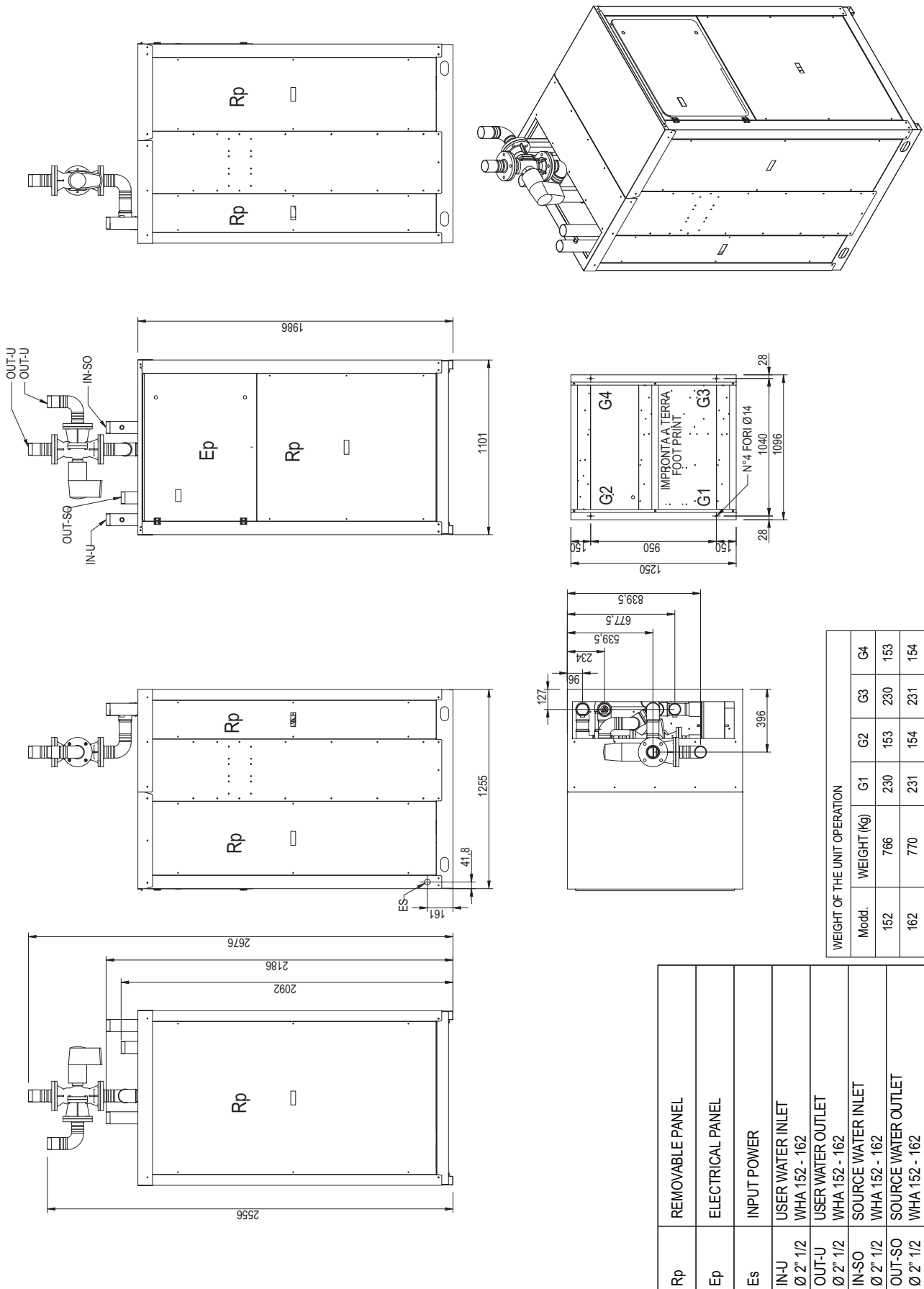


WEIGHT OF THE UNIT OPERATION					
Modd.	WEIGHT (kg)	G1	G2	G3	G4
090	726	218	145	218	145
110	750	225	150	225	150
120	766	230	153	230	153
130	780	234	156	234	156



Rp	REMOVABLE PANEL
Ep	ELECTRICAL PANEL
Es	INPUT POWER
IN-U Ø 2"	USER WATER INLET WHA 090 - 110 - 120 - 130
OUT-U Ø 2"	USER WATER OUTLET WHA 090 - 110 - 120 - 130
IN-SO Ø 2"	SOURCE WATER INLET WHA 090 - 110 - 120 - 130
OUT-SO Ø 2"	SOURCE WATER OUTLET WHA 090 - 110 - 120 - 130

Dimensional drawings WHA/SW5 152-162



WEIGHT OF THE UNIT OPERATION

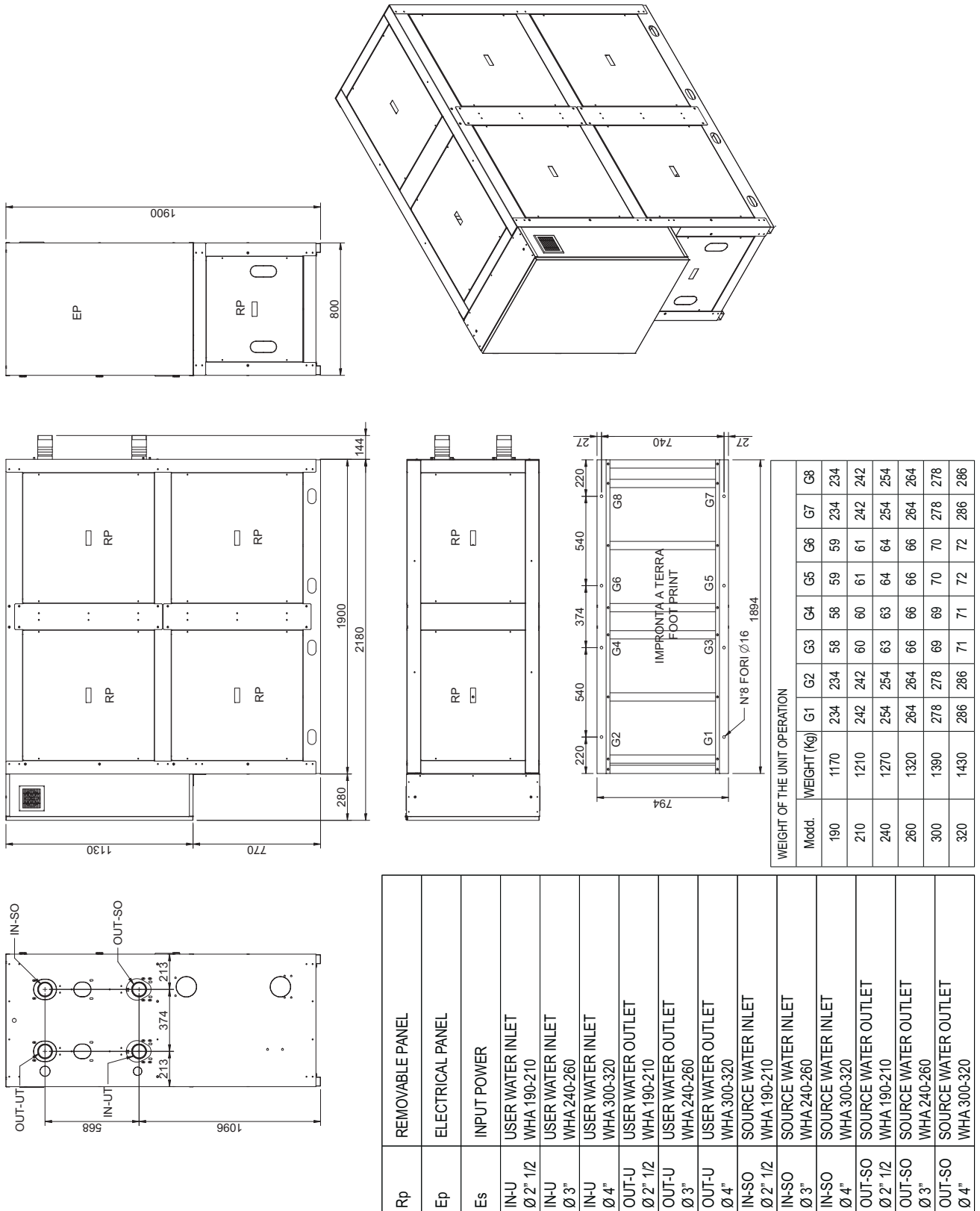
Mod.	WEIGHT (Kg)	G1	G2	G3	G4
152	766	230	153	230	153
162	770	231	154	231	154

Rp	REMOVABLE PANEL
Ep	ELECTRICAL PANEL
Es	INPUT POWER
IN-U	USER WATER INLET
Ø 2" 1/2	WHA 152 - 162
OUT-U	USER WATER OUTLET
Ø 2" 1/2	WHA 152 - 162
IN-SO	SOURCE WATER INLET
Ø 2" 1/2	WHA 152 - 162
OUT-SO	SOURCE WATER OUTLET
Ø 2" 1/2	WHA 152 - 162

Dimensional drawings WHA RV 190-210-240-260-300-320



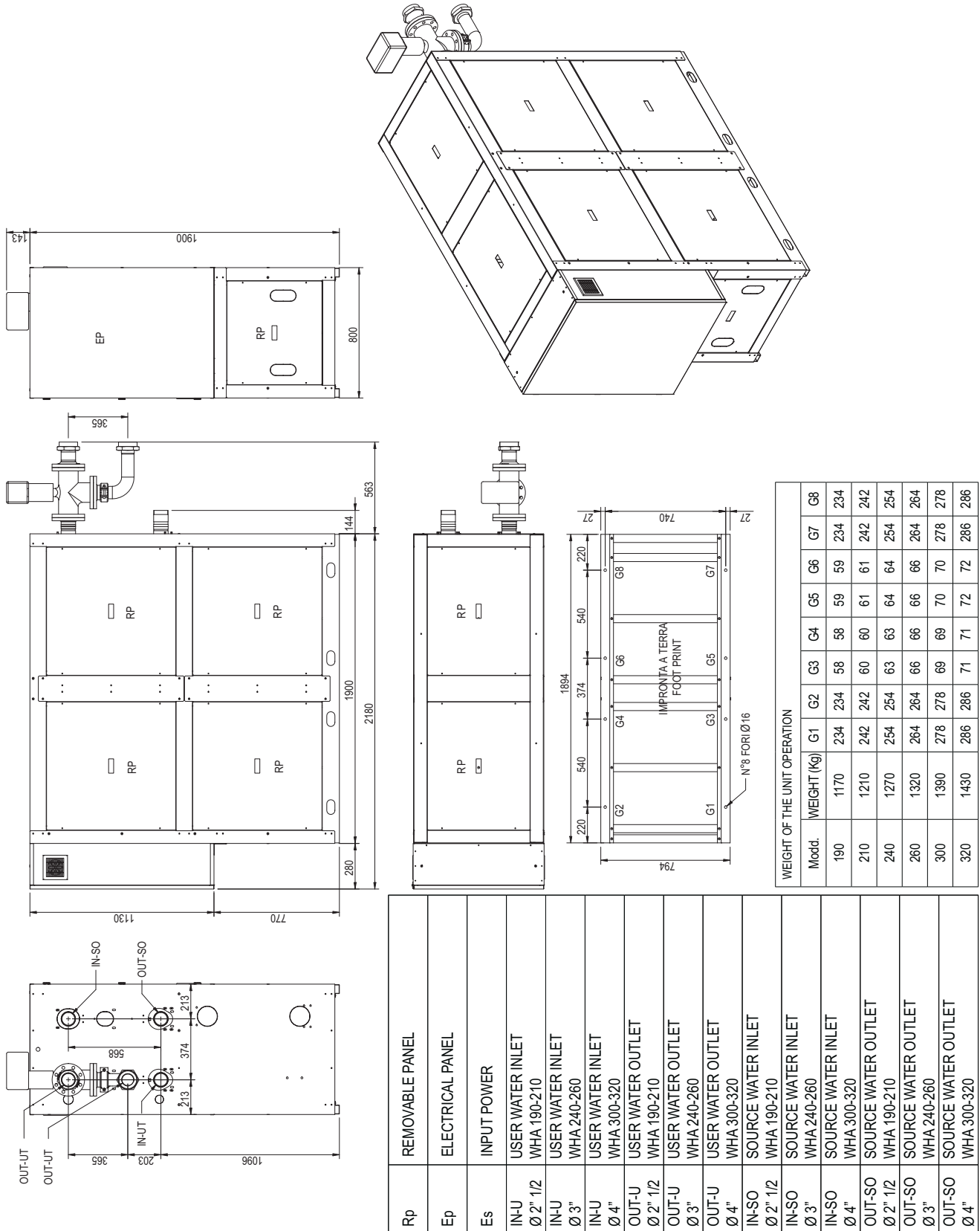
For this version S1NT hydraulic kit is not available.



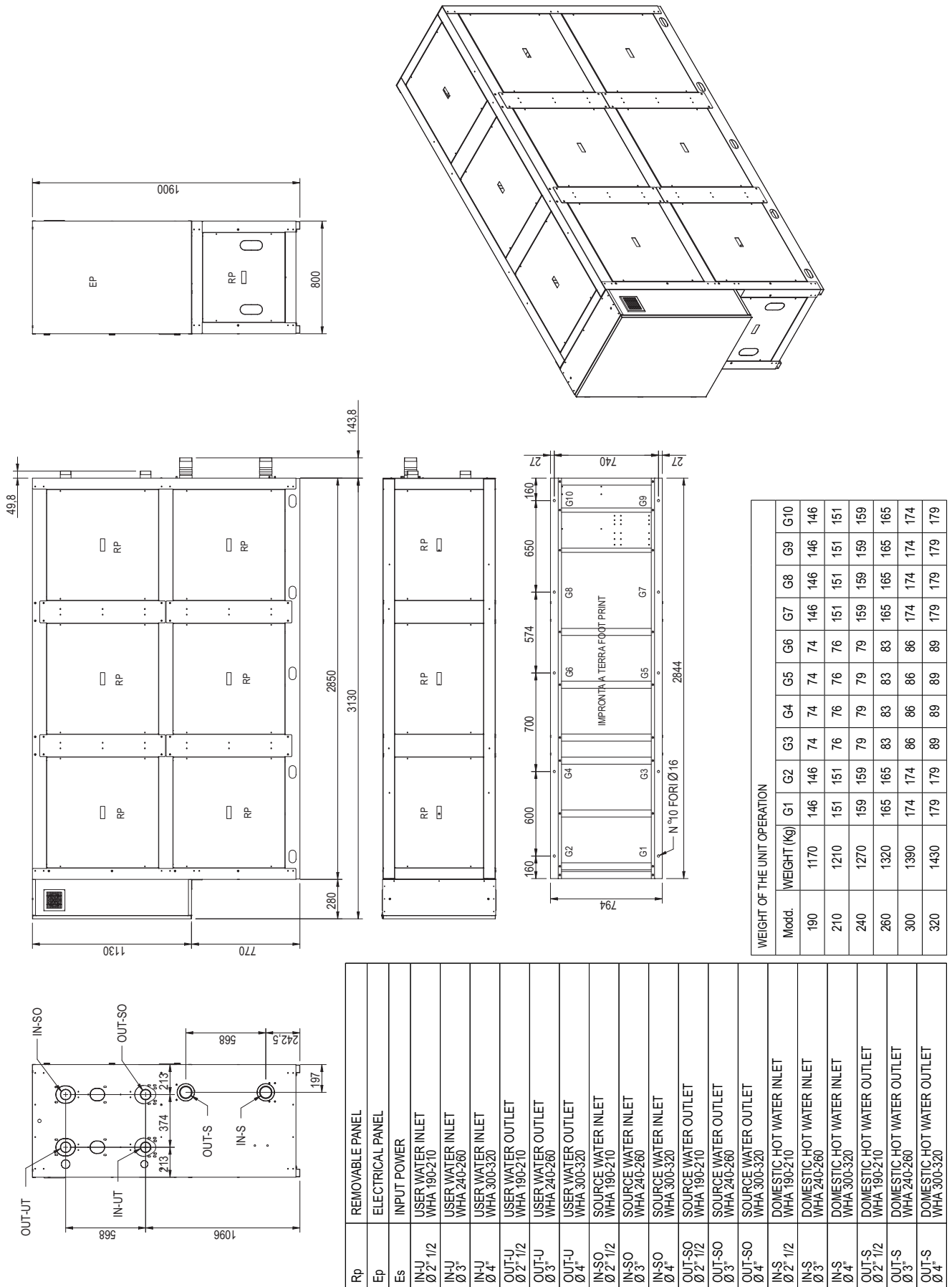
Dimensional drawing WHA/SW5 190-210-240-260-300-320



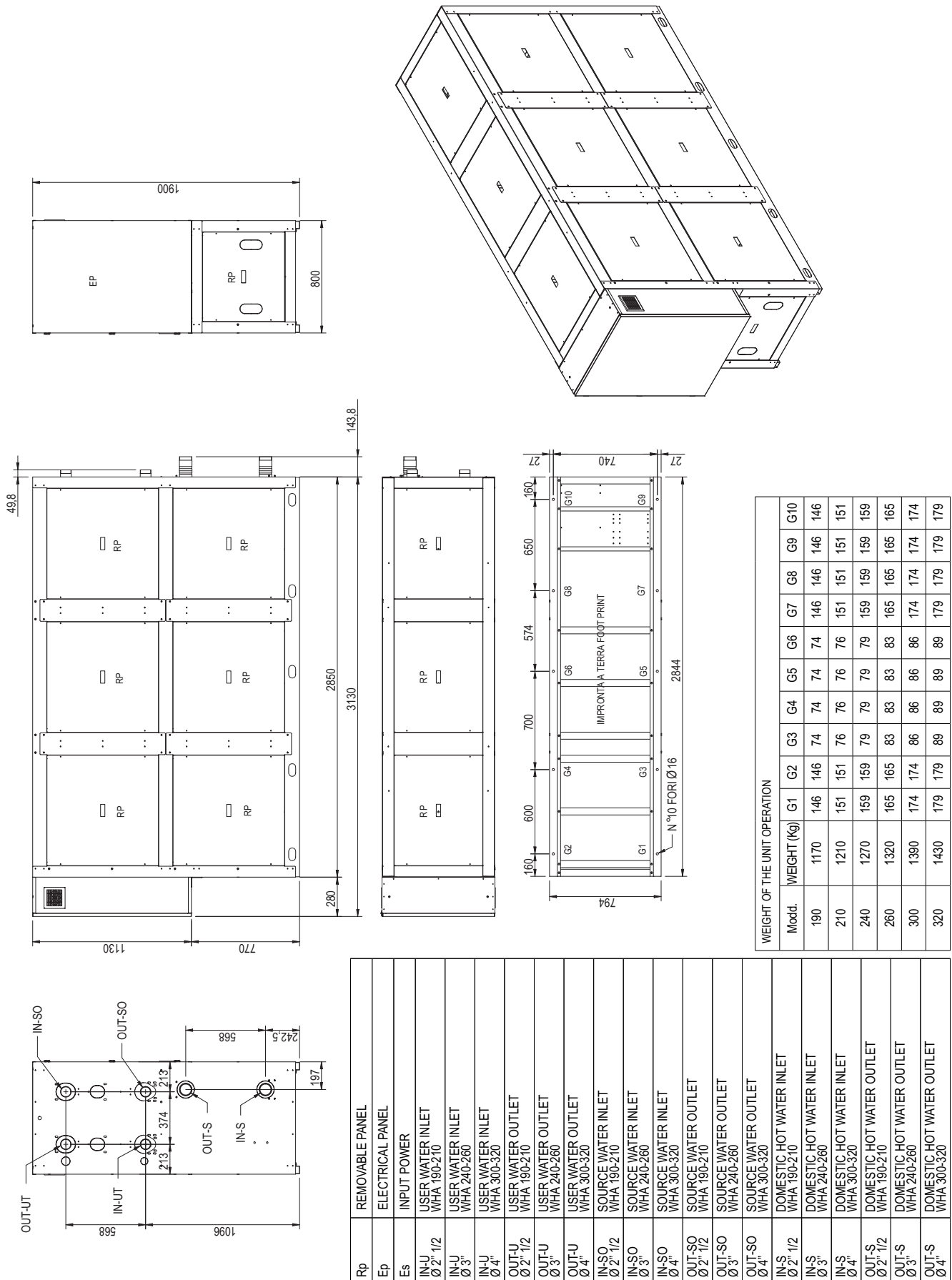
For this version S1NT hydraulic kit is not available.



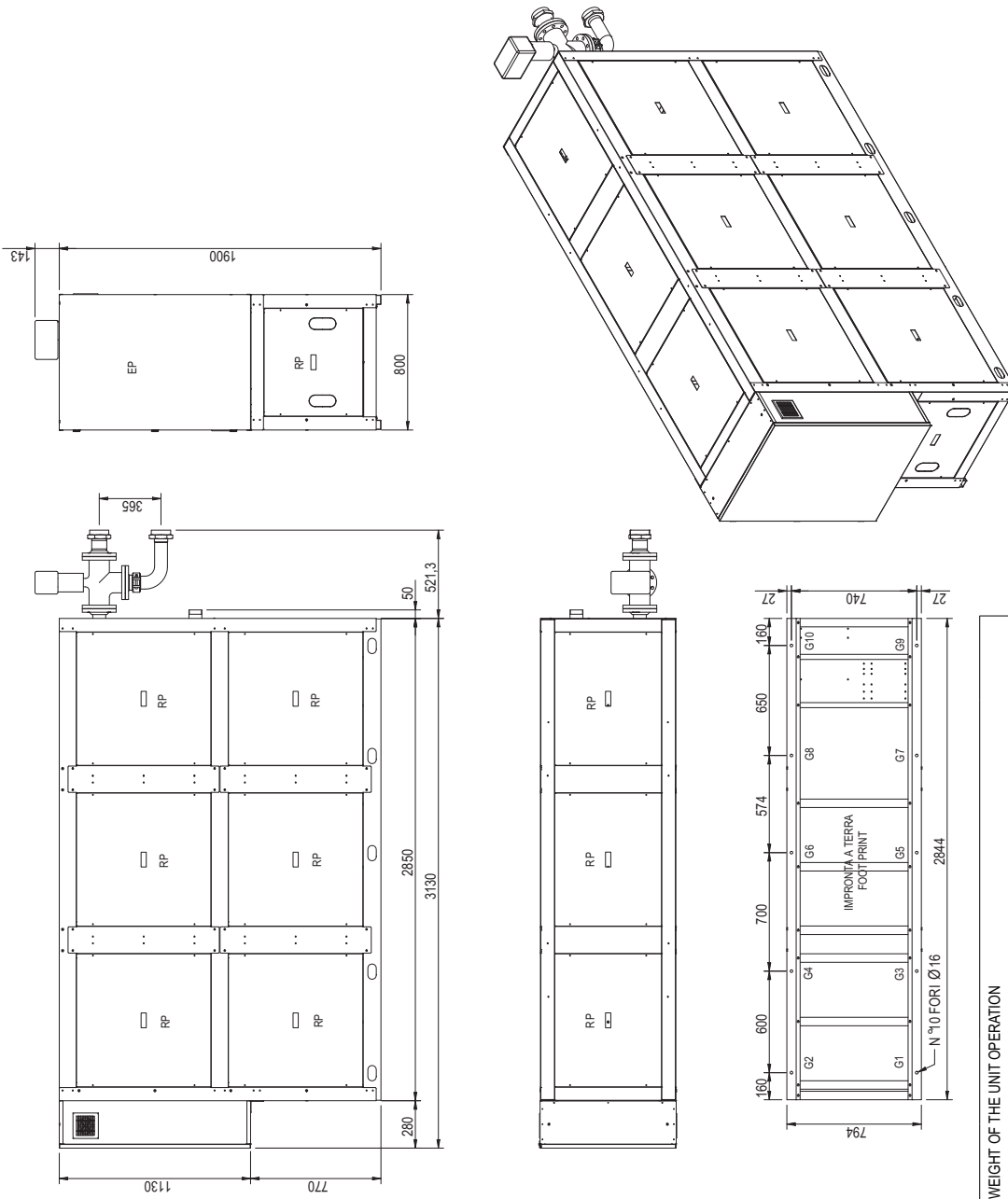
Dimensional drawings WHA/RV/SW6 190-210-240-260-300-320



Dimensional drawings WHA FC/ FC RV/ FC RV SW6 190-210-240-260-300-320



Dimensional drawings WHA/FC/SW5 190-210-240-260-300-320

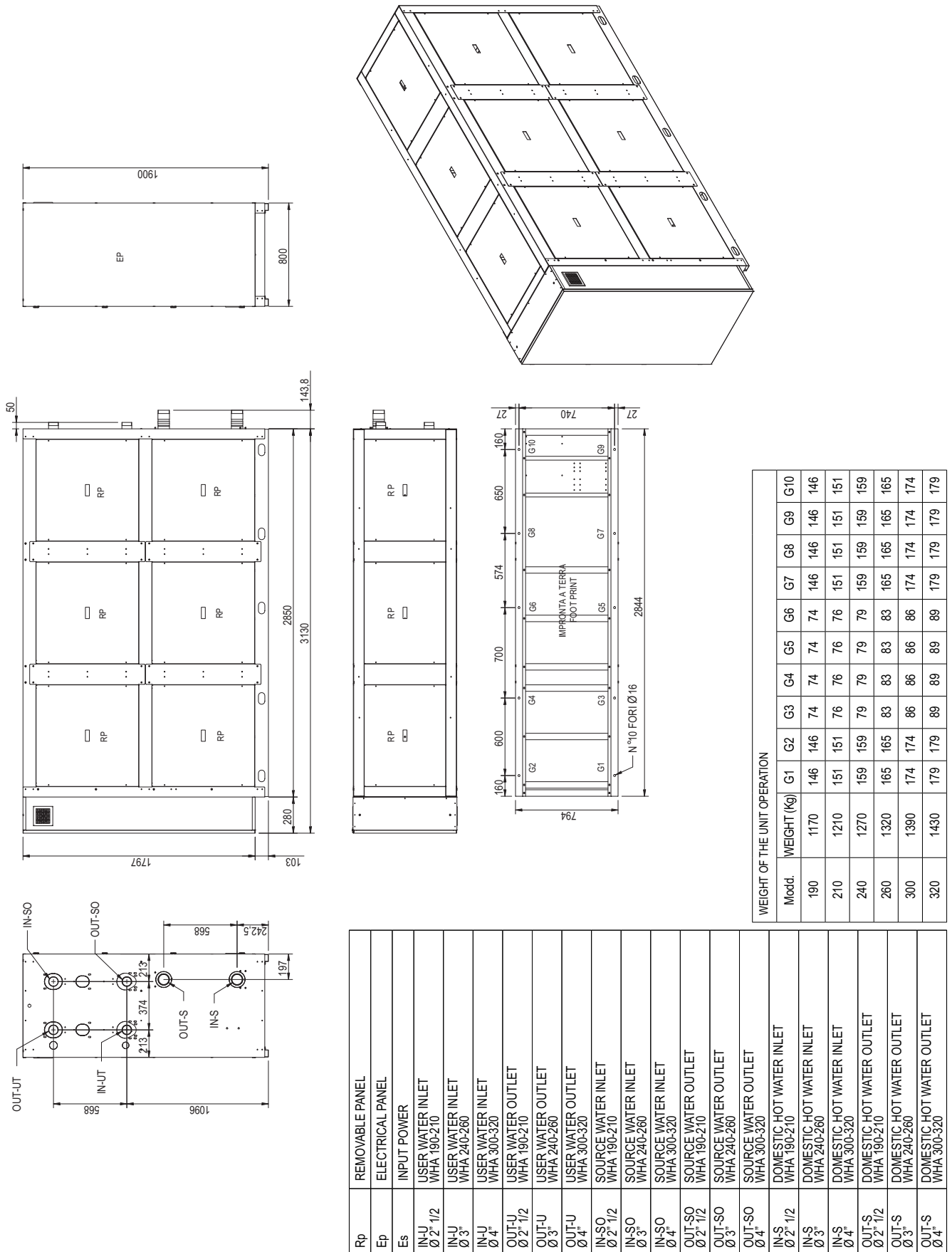


WEIGHT OF THE UNIT OPERATION

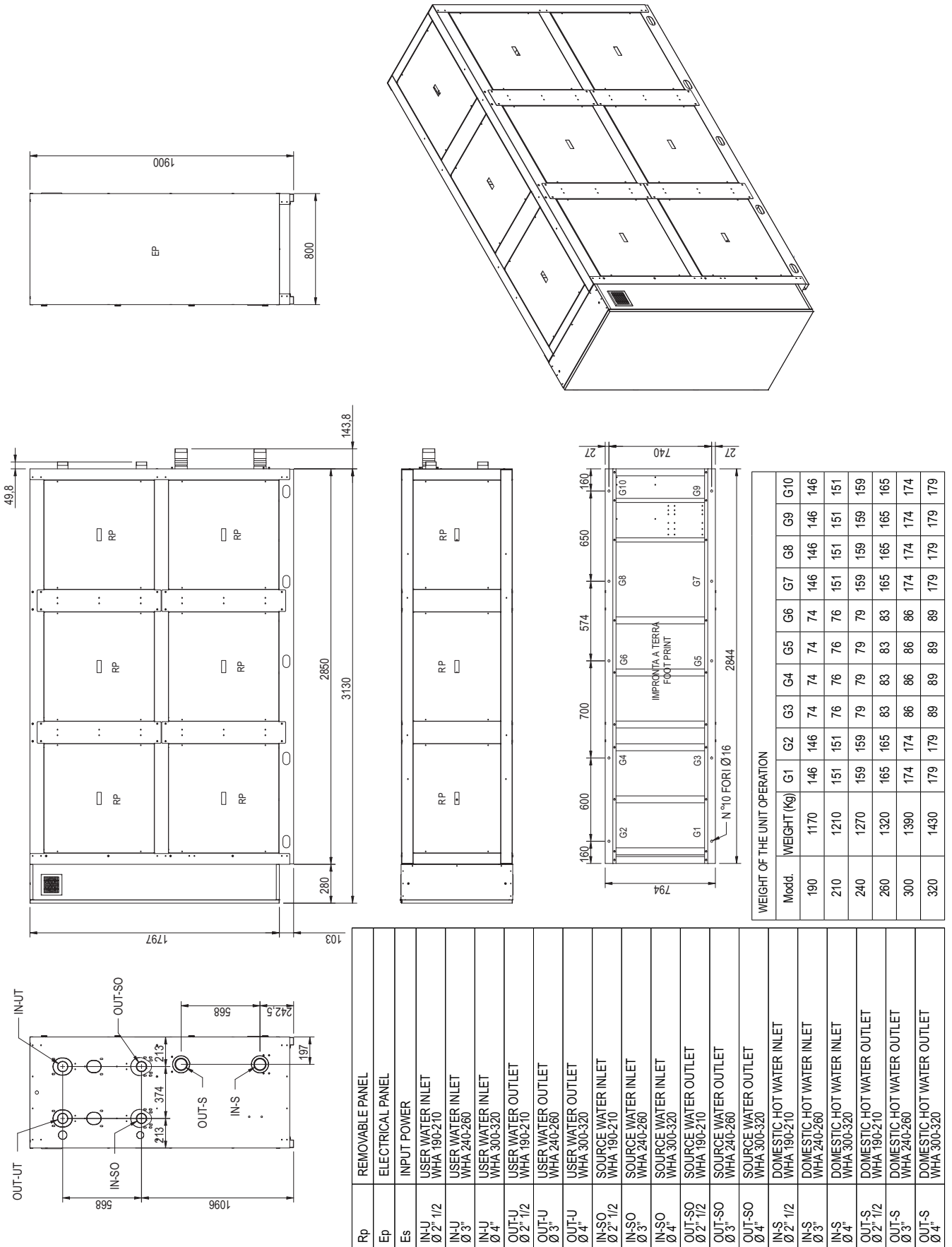
Modd.	WEIGHT (kg)	G1	G2	G3	G4	G5	G6	G7	G8	G9	G10
190	1170	146	146	74	74	74	74	146	146	146	146
210	1210	151	151	76	76	76	76	151	151	151	151
240	1270	159	159	79	79	79	79	159	159	159	159
260	1320	165	165	83	83	83	83	165	165	165	165
300	1390	174	174	86	86	86	86	174	174	174	174
320	1430	179	179	89	89	89	89	179	179	179	179

Rp	REMOVABLE PANEL
Ep	ELECTRICAL PANEL
Es	INPUT POWER
IN-U Ø 2" 1/2	USER WATER INLET WHA 190-210
IN-U Ø 3"	USER WATER INLET WHA 240-260
IN-U Ø 4"	USER WATER INLET WHA 300-320
OUT-U Ø 2" 1/2	USER WATER OUTLET WHA 190-210
OUT-U Ø 3"	USER WATER OUTLET WHA 240-260
OUT-U Ø 4"	USER WATER OUTLET WHA 300-320
IN-SO Ø 2" 1/2	SOURCE WATER INLET WHA 190-210
IN-SO Ø 3"	SOURCE WATER INLET WHA 240-260
IN-SO Ø 4"	SOURCE WATER INLET WHA 300-320
OUT-SO Ø 2" 1/2	SOURCE WATER OUTLET WHA 190-210
OUT-SO Ø 3"	SOURCE WATER OUTLET WHA 240-260
OUT-SO Ø 4"	SOURCE WATER OUTLET WHA 300-320

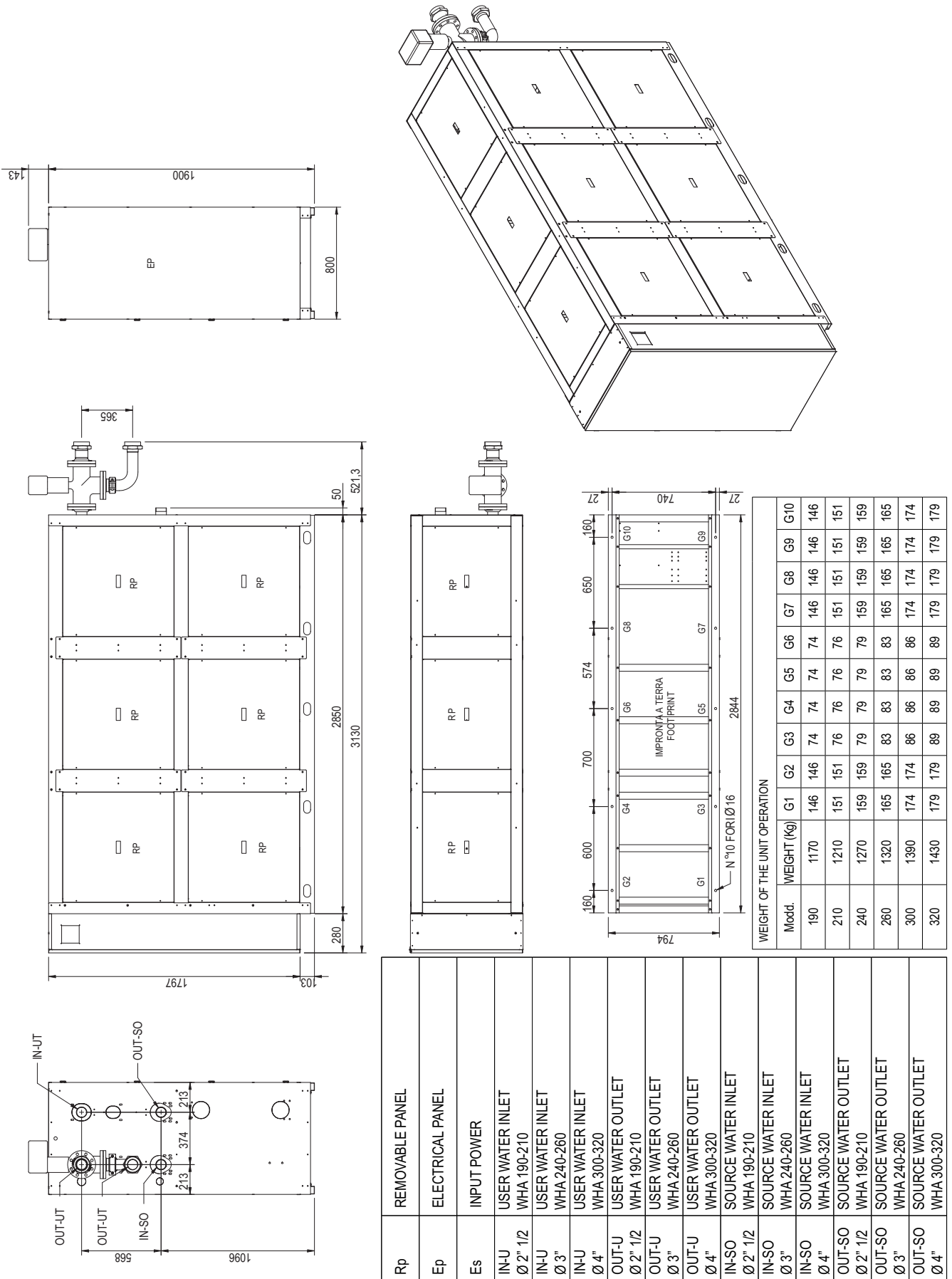
Dimensional drawings WHA/RV/SW6 190-210-240-260-300-320



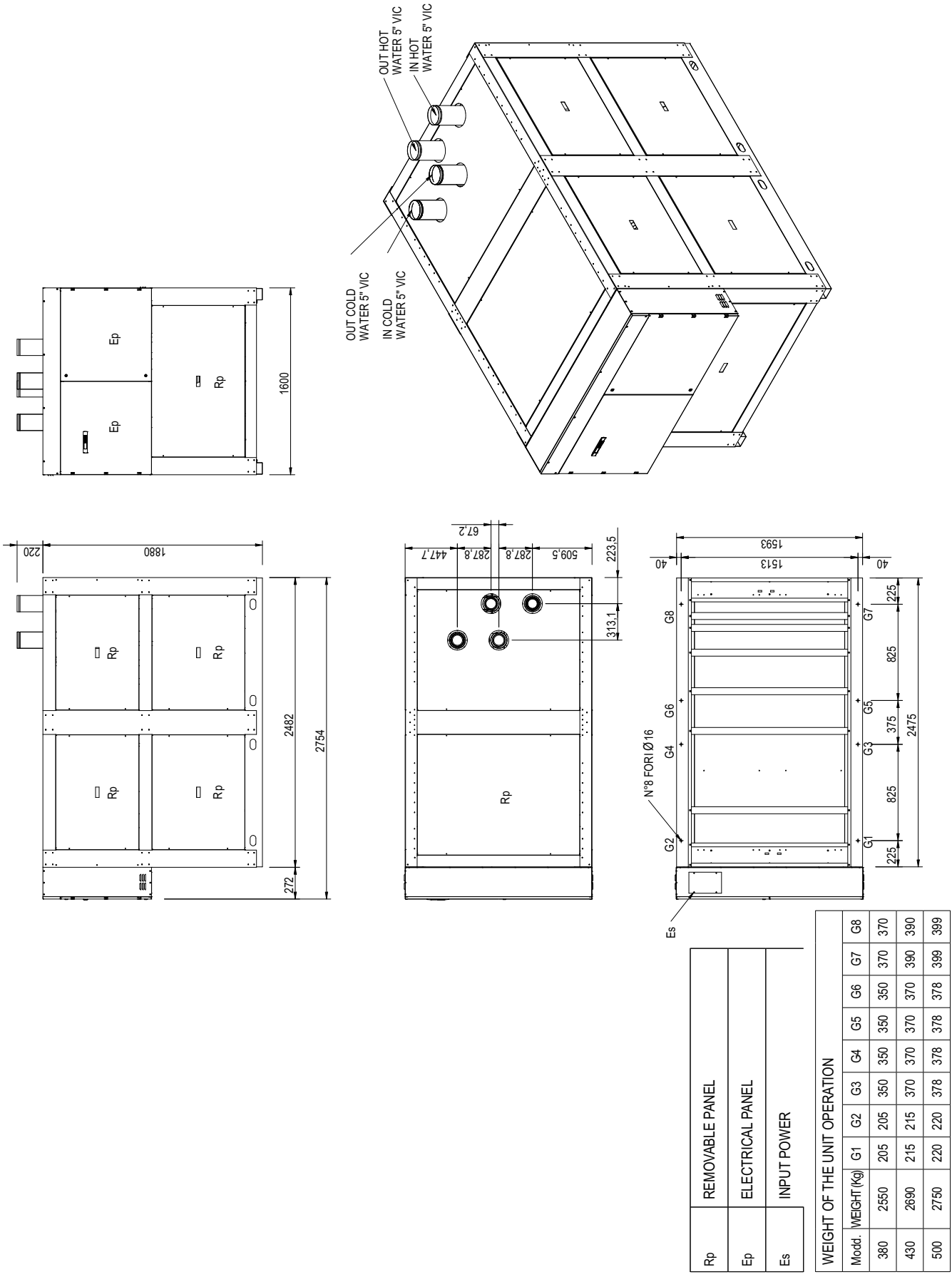
Dimensional drawings WHA FC / FC RV / FC RV SW6 190-210-240-260-300-320



Dimensional drawings WHA FC SW5 190-210-240-260-300-320



Dimensional drawings WHA 380-430-500





HIDROS Spa

Sede legale: Via della Croce Rossa, 32/2 ▪ cap 35129 ▪ Padova Italy
Sede operativa: Via E. Mattei, 20 ▪ Cap 35028 Piove di Sacco (PD) Italy
Tel. +39 049 9731022 ▪ Fax +39 049 5806928
Info@hidros.it ▪ www.hidros.it

P.IVA e C.F 03598340283 ▪ R.E.A. PD-322111

REG. IMP. PD 0359834 028 3 ▪ VAT NUMBER: IT 03598340283 ▪ CAPITALE SOCIALE € 1.200.000,00 i.v.

Technical data shown in this booklet are not binding.

HIDROS S.p.A. shall have the right to introduce at any time whatever modifications necessary to the improvement of the product.
