

4 PIPE SYSTEMS HIGH EFFICIENCY AIR TO WATER HEAT PUMPS

LHA P4U/P4S

SERIES



TECHNICAL MANUAL

Incorporated in this document are the following:

- Declaration of conformity
- Technical manual



RETAIN FOR FUTURE REFERENCE



Multiple instructions:
Consult the specific part



Read and understand
the instructions before
undertaking any work on
the unit

Reproduction, data storage and transmission, even partial, of this publication, in any form, without the prior written authorisation of the Company, is prohibited. The Company can be contacted for all inquiries regarding the use of its products.

The Company follows a policy of continuous product development and improvement and reserves the right to modify specifications, equipment and instructions regarding use and maintenance at any time, without notice.

Declaration of conformity

We declare under our own responsibility that the below equipment complies in all parts with the CEE and EN directives.

The declaration of conformity is enclosed to the technical booklet enclosed with the unit. The unit contains fluorinated greenhouse gases.

INDEX

1. INTRODUCTION	5
1.1 Preliminary information	5
1.2 Aim and content of the manual	5
1.3 How to store this manual	5
1.4 Manual updates	5
1.5 How to use this manual	5
1.6 Potential risks	6
1.7 General description of symbols used	7
1.8 Safety symbols used	8
1.9 Limitations and prohibited use	8
1.10 Unit identification	9
2. SAFETY	10
2.1 Warning re potentially hazardous toxic substances	10
2.2 Refrigerant handling	10
2.3 Prevention of inhalation of high vapor concentrations	11
2.4 Procedures in the event of accidental release of refrigerant	11
2.5 Main Toxicological information on the type of refrigerant used	11
2.6 First aid measures	11
3. TECHNICAL CHARACTERISTICS	12
3.1 Unit description	12
3.2 Other versions	13
3.3 Accessories description	15
3.4 Technical data	17
3.5 Operation limits	23
3.6 Domestic hot water production	25
3.7 Compressor capacity steps	26
3.8 Correction tables	27
3.9 Sound data	28
4. INSTALLATION	31
4.1 General safety guidelines and use of symbols	31
4.2 Workers' health and safety	31
4.3 Personal protective equipment	31
4.4 Inspection	32
4.5 Storage	32
4.6 Unpacking	32
4.7 Lifting and handling	32
4.8 Location and minimum technical clearances	33
4.9 Installation of rubber vibration dampers (KAVG)	36
4.10 Serial interface card RS485 (INSE)	36
4.11 Installation of condensate drip tray (BRCA)	37
4.12 Hydraulic connections	38
4.13 Chemical characteristics of the water	38
4.14 Hydraulic components	39
4.15 User circuit minimum water content	40
4.16 Domestic hot water (dhw) minimum water content	40
4.17 Filling the hydraulic circuit	40
4.18 Emptying the installation	40
4.19 Wiring connections: Preliminary safety information	41
4.20 Electric data	42
4.21 Wiring connections	43
4.22 Positioning of the user circuit water inlet sensor (BTI)	46
4.23 Positioning of the domestic hot water circuit sensor (BTS)	46
4.24 Refrigerant circuit layout	47
5. UNIT START UP	51
5.1 Preliminary Checks	51

5.2 Position of the control panel	53
5.3 Description of the control panel	53
5.4 Remote keyboard connection	55
6. USE	56
6.1 Switch the unit on	56
6.2 Stop	57
6.3 How to change the set points	58
6.4 PROBES key	60
6.5 ALARM key	60
6.6 CIRC key	61
6.7 SERVICE key	62
6.8 Acoustic signal silencing	70
7. UNIT MAINTENANCE	71
7.1 General warnings	71
7.2 Access to the unit	71
7.3 Scheduled maintenance	72
7.4 Periodical checks	72
7.5 Refrigerant circuit repair	75
8. DECOMMISSIONING	75
8.1 Unit Isolation & drain down	75
8.2 Disposal, recovery and recycling	75
8.3 RAEE directive (only for EC countries)	76
9. DIAGNOSIS & TROUBLESHOOTING	76
9.1 Fault finding	76

1. INTRODUCTION

1.1 Preliminary information

Reproduction, storage or transmission of any part of this publication in any form, without the prior written consent of the Company, is prohibited.

The unit to which these instructions refer, is designed to be used for the the purposes described and to be operated in accordance with these instructions.

The Company will not be liable for claims for damage caused to persons, animals, material goods or property caused by improper installation, adjustment and maintenance or improper use. Any use not specified in this manual is prohibited.

This document is intended to provide information only and does not form a contract with third parties.

The Company pursues a policy of constant improvement and development of its products and therefore reserves the right to change the specifications and the documentation at any time, without notice and without obligation to update existing equipment.

1.2 Aim and content of the manual

These instructions are intended to provide the information required for the selection, installation, use and maintenance of the unit.

They have been prepared in accordance with the European Union laws and with the technical standards in force at the date of issue of the instructions.

The instructions contain all the necessary information to prevent any reasonably foreseeable misuse.

1.3 How to store this manual

The manual must be kept in a suitable place with easy access for users and operators, protected from dust and damp.

The manual must always accompany the unit during the entire life cycle of the same and therefore must be transferred to any subsequent user.

1.4 Manual Update

It is recommended that the manual is updated to the latest revision available.

If updates are sent to the customer they must be added to this manual.

The latest information regarding the use of its products is available by contacting the Company.

1.5 How to use this manual



The manual is an integral part of the unit.

Users or operators must consult the manual before performing any operation and especially so when transporting, handling, installing, maintaining, or dismantling the unit in order to eliminate uncertainty and reduce risk.



In these instructions symbols have been used (described in the following paragraphs) to draw the attention of operators and users to the operations that have a higher risk and which must be performed safely.

1.6 Potential Risks

Whilst the unit has been designed to minimize any risk posed to the safety of people who will interact with it, it has not been technically possible to eliminate completely the causes of risk. It is therefore necessary to refer to the requirements and symbolism below:

LOCATION OF RISK	POTENTIAL RISK	METHOD OF INJURY	PRECAUTIONS
Thermal heat exchangers.	Small stab wounds.	Contact	Avoid any contact, use protective gloves.
Fan and fan grilles.	Cuts, eye damage, broken bones.	Insertion of sharp objects through the grid while the fans are operating.	Never put objects through the protection grilles.
Internal component: compressors and discharge pipes	Burns.	Contact	Avoid any contact, use protective gloves.
Internal component: electric cables and metallic parts	Electrocution, severe burns.	Defect in the supply cable insulation, live metallic parts.	Adequate protection of power cables, ensure correct earthing of all metal parts.
External to unit: unit enclosure	Poisoning, severe burns.	Fire due to short circuit or overheating of the supply cable external to unit.	Size cables and mains protection system in accordance with iee regulations.
Low pressure safety valve.	Poisoning, severe burns.	High evaporating pressure causing a refrigerant discharge during maintenance.	Carefully check the evaporating pressure during the maintenance operations. Use all personal protective equipment required by the law. PPE must also protect against gas leaks from the safety valve. The outlet of these valves is directed to avoid causing damage to persons or goods.
High pressure safety valve.	Poisoning, severe burns, hearing loss.	Activation of the high pressure safety valve with the refrigerant circuit open.	If possible, do not open the refrigerant circuit valve; carefully check the condensing pressure; use all the personal protective equipment required by law. PPE must also protect against gas leaks from the safety valve. The outlet of these valves is directed to avoid causing damage to persons or goods.
Entire unit	External fire	Fire due to natural disasters or combustions of elements nearby unit	Provide the necessary fire-fighting equipment
Entire unit	Explosion, injuries, burns, poisoning, folgoramento for natural disasters or earthquake.	Breakages, failures due to natural disasters or earthquake	Plan the necessary precautions both electrical (suitable differential magneto and electrical protection of the supply lines; greatest care during the connections of the metal parts), and mechanical (special anchors or seismic vibrations to prevent breakages or accidental falls).

1.7 General Description of Symbols Used

Safety symbols combined in accordance with ISO 3864-2:



BANNED

A black symbol inside a red circle with a red diagonal indicates an action that should not be performed.



WARNING

A black graphic symbol added to a yellow triangle with black edges indicates danger.



ACTION REQUIRED

A white symbol inserted in a blue circle indicates an action that must be done to avoid a risk.

Safety symbols combined in accordance with ISO 3864-2:



The graphic symbol "warning" is qualified with additional safety information (text or other symbols).

1.8 Safety symbols used



GENERAL RISK

Observe all signs placed next to the pictogram. The failure to follow directions may create a risk situation that may be injurious to the user.



ELECTRICAL HAZARD

Observe all signs placed next to the pictogram. The symbol indicates components of the unit and actions described in this manual that could create an electrical hazard.



MOVING PARTS

The symbol indicates those moving parts of the unit that could create risk.



HOT SURFACES

The symbol indicates those components with high surface temperature that could create risks.



SHARP SURFACES

The symbol indicates components or parts that could cause stab wounds.



EARTH CONNECTION

The symbol identifies Earthing connection points in the unit.



READ AND UNDERSTAND THE INSTRUCTIONS

Read and understand the instructions of the machine before any operations.



RECOVER OR RECYCLE MATERIAL

1.9 Limitations and prohibited use

The machine is designed and built exclusively for the uses described in "Limitations of use" of the technical manual. Any other use is prohibited because it may pose a potential risk to the health of operators and users.



The unit is not suitable for operations in environments:

- excessively dusty or potentially explosive atmospheres;
- where there are vibrations;
- where there are electromagnetic fields;
- where there are aggressive atmospheres



1.10 Unit identification

Each unit has a rating plate that provides key information regarding the machine.

The rating plate may differ from the one shown below as the example is for a standard unit without accessories.

For all electrical information not provided on the label, refer to the wiring diagram.

A facsimile of the label is shown below:

 <small>INNOVATION AS ENERGY</small> <small>AN EMIZ TECHNOLOGIES COMPANY</small>		 1370	
Manufacturer: PD322111			
1LHA.3204.HE.XL.RV.4U.X Pompa di calore <i>Heat pump</i>		123456 Matricola <i>Serial number</i>	
2 Categoria PED <i>PED Category</i>		23/2018 Data di produzione <i>Manufacturing date</i>	
R410A Tipo refrigerante <i>Refrigerant type</i>	2 Gruppo fluido <i>Fluid group</i>	2088 GWP	
36 kg C1 C2 Carica refrigerante <i>Refrigerant charge</i>	36 kg C3 C4	150,34 ton CO ₂ Equivalente CO ₂ Equivalent	
400V-3ph-50Hz Tensione-Fasi-Frequenza <i>Voltage-Phases-Frequency</i>	212,00 A F.L.A. (A)	123,00 kW F.L.I. (kW)	
LATO BASSA PRESSIONE LOW PRESSURE SIDE		LATO ALTA PRESSIONE HIGH PRESSURE SIDE	
29,5 bar PS		45 bar PS	
-30 °C Min	+130 °C Max	-30 °C Min	+130 °C Max
Temperatura di progetto <i>Design temperature</i>		Temperatura di progetto <i>Design temperature</i>	
3.100 kg Peso a vuoto <i>Weight</i>		Barcode	
<small>Contiene gas fluorurati ad effetto serra. Contains fluorinated greenhouse gasses.</small>			



The product label should never be removed from the unit.

2. SAFETY

2.1 Warning re potentially hazardous toxic substances

2.1.1 Identification of the Type of Refrigerant Fluid Used: R410A

- Difluoromethane (HFC-32) 50% by weight CAS No.: 000075-10-5
- Pentafluoroethane (HFC-125) 50% by weight CAS No.: 000354-33-6

2.1.2 Identification of the Type of Oil Used.

The lubricant used is polyester oil. Please refer to the information provided on the compressor data plate.



For further information regarding the characteristics of the refrigerant and oil used, refer to the safety data sheets available from the refrigerant and oil manufacturers.

Main Ecological Information Regarding the Types of refrigerants Fluids used.



ENVIRONMENTAL PROTECTION : Read the ecological information and the following instructions carefully.

2.1.3 Persistence and degradation

The refrigerants used decompose in the lower atmosphere (troposphere) relatively quickly. The decomposed products are highly dispersible and therefore have a very low concentration. They do not influence the photochemical smog which is not among the VOC volatile organic compounds (as stipulated in the guidelines to the UNECE). The used constituent refrigerants do not damage the ozone layer. These substances are regulated under the Montreal Protocol (revised 1992) and regulations EC no. 2037/200 of 29 June 2000.

2.1.4 Effects of discharges

Discharges into the atmosphere of this product does not cause a long-term contamination.

2.1.5 Exposure controls and personal protection

Wear protective clothing and gloves, protect your eyes and face

2.1.6 Professional exposure limits

R410A	
HFC-32	TWA 1000 ppm
HFC-125	TWA 1000 ppm

2.2 Refrigerant handling



Users and maintenance personnel must be adequately informed about the possible risks of handling potentially toxic substances. Failure to follow such instructions can cause damage to personnel or to the unit.

2.3 Prevent inhalation of high vapor concentration

Atmospheric concentrations of refrigerant must be minimized and kept to a level that is below the occupational exposure limit. Vapor is heavier than air and can form dangerous concentrations near the ground where the ventilation rate is lower. Always ensure adequate ventilation. Avoid contact with open flames and hot surfaces as this can cause toxic and irritating decomposition products to form. Avoid contact between liquid refrigerant and the eyes or skin.

2.4 Procedures to be adopted in the event of accidental release of refrigerant

Ensure suitable personal protection (especially respiratory protection) during cleaning operations.

If deemed safe, isolate the source of the leak. If the leakage is small and if adequate ventilation is provided, allow the refrigerant to evaporate. If the loss is substantial ensure that measures are taken to adequately ventilate the area.

Contain spilled material with sand, earth or other suitable absorbent material.

Do not allow the refrigerant to enter drains, sewers or basements, as pockets of vapor can form.

2.5 Main Toxicological Information Regarding the Type of refrigerant used

2.5.1 Inhalation

A high atmospheric concentration can cause anaesthetic effects with possible loss of consciousness. Prolonged exposure may lead to irregular heartbeat and cause sudden death. Higher concentrations may cause asphyxia due to the reduced oxygen content in the atmosphere.

2.5.2 Contact with skin

Splashes of nebulous liquid can produce frostbite. Probably not hazardous if absorbed through the skin. Repeated or prolonged contact may remove the skin's natural oils, with consequent dryness, cracking and dermatitis.

2.5.3 Contact with eyes

Splashes of liquid may cause frostbite.

2.5.4 Ingestion

While highly improbable, may produce frostbite.

2.6 First Aid Measures



Adhere scrupulously to the warnings and first aid procedures indicated below.

2.6.1 Inhalation

Move the person away from the source of exposure, keep him/her warm and let him/her rest. Administer oxygen if necessary. Attempt artificial respiration if breathing has stopped or shows signs of stopping. If the heart stops, perform external heart massage. Seek medical assistance.

2.6.2 Contact with skin

In case of contact with skin, wash immediately with lukewarm water. Thaw tissue using water. Remove contaminated clothing. Clothing may stick to the skin in case of frostbite. If irritation, swelling or blisters appear, seek medical assistance.

2.6.3 Contact with eyes

Rinse immediately using an eyewash or clean water, keeping eyelids open, for at least ten minutes. Seek medical assistance.

2.6.4 Ingestion

Do not induce vomiting. If the injured person is conscious, rinse his/her mouth with water and make him/her drink 200-300ml of water. Seek immediate medical assistance.

2.6.5 Further medical treatment

Treat symptoms and carry out support therapy as indicated. Do not administer adrenaline or similar sympathomimetic drugs following exposure, due to the risk of cardiac arrhythmia.

3. TECHNICAL CHARACTERISTICS

3.1 Unit description

The high efficiency air / water heat pumps of the series are units designed for 4-pipe air conditioning and heating systems, which allow the production of cold water for cooling and hot water for heating at the same time or separately.

The units are supplied with an additional exchanger, used as a condenser for hot water, the production of which is independent of the operation mode of the unit. Activation of the exchanger takes place automatically via the microprocessor control when the hot water temperature on the return is lower than the set point. These units are able to produce hot water and cold water simultaneously and / or separately with very high energy efficiencies.

They are all supplied complete with a specific advanced microprocessor control provided with software for managing the various priorities. The XL versions also have an extremely low noise level thanks to the use of a special floating vibration damping system that allows a noise reduction of about 10-12 dB (A) (optional).

3.1.1 Frame

All units are made from hot-galvanised sheet steel, painted with polyurethane powder enamel and stoved at 180°C to provide maximum protection against corrosion. The frame is self-supporting with removable panels. All screws and rivets used are made from stainless steel. The standard colour of the units is RAL9018.

3.1.2 Refrigerant circuit

The refrigerant utilised is R410A. The refrigerant circuit is assembled using internationally recognised brand name components with all brazing and welding being performed in accordance with ISO 97/23. The refrigerant circuit includes: sight glass, filter drier, two thermal expansion valves (one for cooling mode, one for heating mode) with external equalizer, 4 way reversing valve, check valves, liquid receiver, Schrader valves for maintenance and control, pressure safety device (for compliance with PED regulations).

3.1.3 Compressors

The compressors used are a high performance scroll type that incorporates a special scroll design which enhances the efficiency of the refrigerant cycle when the source temperature is low. In all units the compressors are connected in tandem. The compressors are all supplied with a crankcase heater and thermal overload protection by a Klixon embedded in the motor winding. They are mounted in a separate enclosure in order to be separated from the air stream thus enabling them to be maintained even if the unit is operating. Access to this enclosure is by the front panel of the unit. The crankcase heater is always powered when the compressor is in stand-by.

3.1.4 Source heat exchanger

The source heat exchanger is made from 3/8" copper pipes and 0,1mm thick aluminium fins with the tubes being mechanically expanded into the aluminium fins in order to maximise heat transfer. Furthermore, the design guarantees a low air side pressure drop thus enabling the use of low rotation speed (and hence low noise) fans. All heat exchangers are supplied standard with fins hydrophilic coating.

3.1.5 User and recovery circuit heat exchangers

The user heat exchanger is a braze welded, plate type heat exchanger, manufactured from AISI 316 stainless steel. The use of this type of exchanger results in a massive reduction of the refrigerant charge of the unit compared to a traditional shell-in-tube type. A further advantage is a reduction in the overall dimensions of the unit. The exchangers are factory insulated with flexible close cell material and can be fitted with an antifreeze heater (accessory). Each exchanger is fitted with a temperature sensor on the discharge water side for antifreeze protection.

3.1.6 Fans

The fans are direct drive axial type with aluminium aerofoil blades, are statically and dynamically balanced and are supplied complete with a safety fan guard complying with the requirements of EN 60335. They are fixed to the unit frame via rubber anti-vibration mountings. The electric motors, in LS versions are 6 poles type rotating at approximately 900 rpm. In the XL versions the fans are 8 poles type (approx 600 rpm). As standard, all units are fitted with a pressure operated fan speed controller. The motors are fitted with integrated thermal overload protection and have a moisture protection rating of IP 54.

3.1.7 Microprocessors

All units are supplied as standard with microprocessor controls. The microprocessor controls the following functions: control of the water temperature, antifreeze protection, compressor timing, compressor automatic starting sequence (For multiple compressors), alarm reset. The control panel is supplied with display showing all operational icons. The microprocessor is set for automatic defrost (when operating in severe ambient conditions) and for summer/ winter change over (only for RV versions). The control also manages the anti-legionella program, the integration with other heating sources (electric heaters, boilers, solar panels etc), the operation of a three port modulating valve (for diverting to DHW or heating) and both the heating circuit pump and the domestic hot water circuit pump. If required (available as an option), the microprocessor can be configured in order for it to connect to a site BMS system thus enabling remote control and management. The technical department can discuss and evaluate, in conjunction with the customer, solutions using MODBUS protocols.

3.1.8 Electric enclosure

The enclosure is manufactured in order to comply with the requirements of the electromagnetic compatibility standards CEE EN60204. Access to the enclosure is achieved by removing the front panel of the unit. The following components are supplied as standard on all units: main switch, a sequence relay that disables the power supply in the event that the phase sequence is incorrect (scroll compressors can be damaged if they rotate in the wrong direction), thermal overloads (protection of pumps and fans), compressor fuses, control circuit automatic breakers, compressor contactors, fan contactors and pump contactors. The terminal board has volt free contacts for remote ON-OFF, Summer/ winter change over (heat pumps only) and general alarm.

3.1.9 Control and protection devices

All units are supplied with the following controls and protections: user water return temperature sensor, antifreeze protection temperature sensor installed on users water output, domestic hot water supply and return temperature sensors (only versions P2S), high pressure automatic reset, low pressure automatic reset, compressor thermal protection, air fan, thermal protection, pressure transducer (used to optimize the defrost cycle and to adjust the fan speed depending on ambient conditions), flow switch. All versions are supplied with a remote sanitary probe and user kit to activate the "Energy Saving" function. At the customer's discretion, these probes can be installed in the system tank to switch off the circulation pumps when the set temperature has been reached or when the unit is in stand-by mode. In this way the electrical consumption of the system itself is reduced.

3.1.10 User and recovery circuit flow switch

The flow utility is installed as standard on all units and disables the operation of the unit in case of abnormal water flow in the system. The flow switch is made of a blade system fitted in the flow of the water; it is combined with two permanent magnets that assess the amount of water in transit and, in function of the measured parameter, enable or not the operation of the unit.

3.3.11 Fan speed control (DCCF)

This device allows unit operation, in cooling mode, under low ambient temperature (below 20°C), by reducing condenser air flow and obtaining in this way permissible operating parameters. This device can be used as well to reduce unit sound level emission when ambient temperature is decreasing (i.e. during night time). Fan speed control is factory pre-set. The values must never be modified.

3.2 Other versions

3.2.1 Version RV

This version uses 2 hydraulic connections and is able to produce hot water in winter and cold water in summer. The unit is combined with a 2-pipe system.

3.2.2 SA Version

Standard efficiency version, according to ERP2018 standard. Unit equipped with AC fans.

3.2.3 SE Version

Standard efficiency version, according to ERP2018 standard. Unit equipped with EC fans.

3.2.4 HA Version

High efficiency version, according to ERP2018 standard. Unit equipped with AC fans.

3.2.5 HE Version

High efficiency version, according to ERP2018 standard. Unit equipped with EC fans.

3.2.6 Version LS

This version includes the complete acoustic insulation of the unit with compressor jackets and insulating material made with high density media and the interposition of heavy bitumen layer.

3.2.7 HA/XL HE/XL Super low noise version

All HA and HE units in XL super low noise version are supplied, as standard, with the latest 'Floating Frame' technology that completely isolates the compressors from the main casing, thereby eliminating vibration and noise from this source. The 'Floating Frame' is a special vibration and acoustic damping system that consists of a base plate and acoustic enclosure that houses the compressors. The base plate is separated from the supporting frame of the unit by soft steel springs that have a high damping power. Within the enclosure, the compressors are mounted on rubber shock absorbers on the floating base plate. The enclosure is manufactured from galvanized steel sandwich panels that have a micro-perforated inner skin and a core of 30 mm thick, high density (25 kg/m³) mineral wool. The entire arrangement provides

a double damping system and acoustic attenuation. The compressor refrigerant pipes are connected to the refrigerant circuit through “anaconda” flexible connections. Flexible connections are also used on the water pipework within the unit. The combination of these systems results in an overall noise reduction in the region of 10-12 dB(A).

3.2.8 P4U version

The P4U units use 4 hydraulic connections and are used in modern 4-pipe systems. In these systems, cold and hot water is always available (in every period of the year) and present in the specific hydraulic circuit.

These systems allow the simultaneous production of cold water and hot water using 4 hydraulic connections, 2 connections are related to the hot water circuit, 2 connections are related to the cold water circuit.

The plant thus conceived is able to heat and, at the same time, if required, to cool with very high energy efficiencies. In this configuration, however, the units are also able to produce hot or cold water separately at any time of the year.

The units are supplied with 2 heat exchangers, one dedicated to the production of cold water and one dedicated to the production of hot water.

The operating modes are:

1. **User water heating:** The unit behaves like a normal air/water heat pump in heating mode, using the finned heat exchanger as the source and the A plate heat exchanger as user.

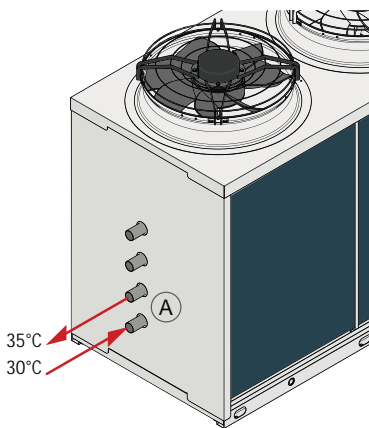
2. **User water cooling:** The unit behaves like a normal air / water chiller in cooling mode, using the finned exchanger as the source and the B plate heat exchanger as user.

3. **Simultaneous user Cooling + heating:** The unit behaves like a water / water heat pump, using the plate heat exchanger B as the cold user and the plate heat exchanger A as hot user.

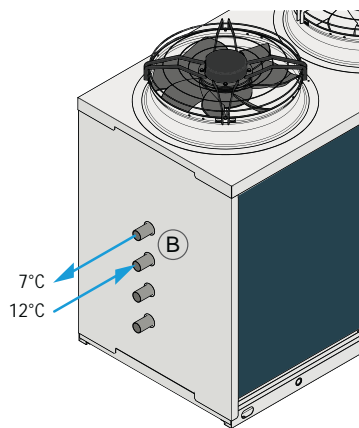
This version is not able to produce domestic hot water.

P4U version

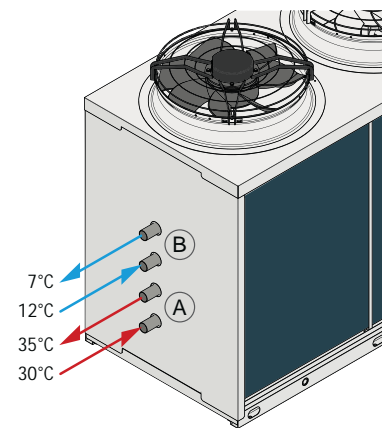
User water heating



User water cooling



Simultaneous user Cooling + heating



The above scheme is for illustrative purposes only. For the correct pipes placement, please refer to the units technical manual.

3.2.9 P4S Version

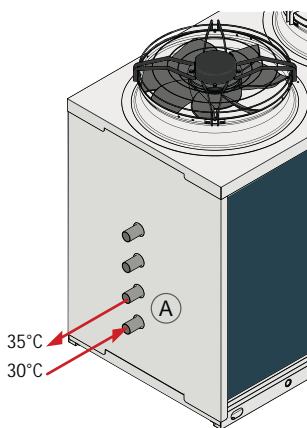
The P4S units have been designed to meet the needs of 2 + 2 pipe systems (2 user side pipes, 2 domestic hot water pipes) throughout the year. The units are supplied with 2 exchangers, one dedicated to the production of the user cold and hot water and one dedicated to the production of domestic hot water only (D.H.W.). The production of domestic hot water always has priority. In winter mode the activation of D.H.W. production temporarily stops the production of the user hot water, which is restored when the D.H.W. accumulation reaches the temperature set. In summer mode the unit will switch to cooling (by activating the reverse cycle valve installed in the refrigerant circuit) and any request for domestic hot water will allow, at the same time, the production of cold water. In this operating mode, the system can simultaneously produce cold water and domestic hot water. Domestic hot water, in summer mode, is produced by heat recovery and therefore free of charge. When the temperature measured by the D.H.W. sensor reaches the set, the D.H.W. water pump is stopped and normal operation is restored in cooling mode.

The operating modes are:

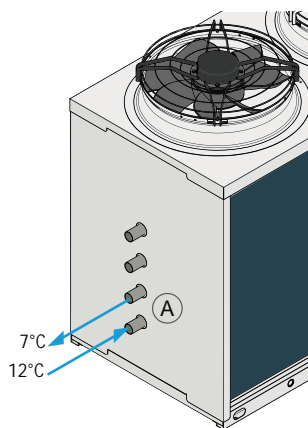
1. **User water heating:** The unit behaves like a normal air/water heat pump in heating mode, using the finned heat exchanger as the source and the A plate heat exchanger as user.
2. **User water cooling:** The unit behaves like a normal air/water chiller in cooling mode, using the finned heat exchanger as the source and the A plate heat exchanger as user.
3. **Domestic hot water production (D.H.W.):** The unit behaves like a normal air / water heat pump in heating mode, using the finned heat exchanger as the source and as a user the plate heat exchanger B (a special D.H.W. heat exchanger that works with a higher set point).
4. **User water cooling + D.H.W. production:** The unit behaves like a water / water heat pump, using the plate heat exchanger A as the cold user and the plate heat exchanger B as D.H.W. production).

P4S Version

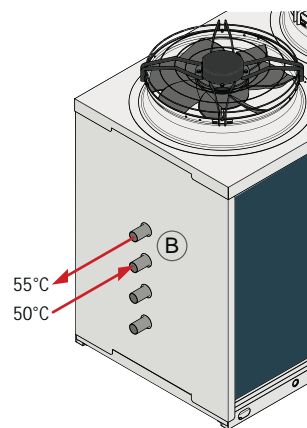
User water heating



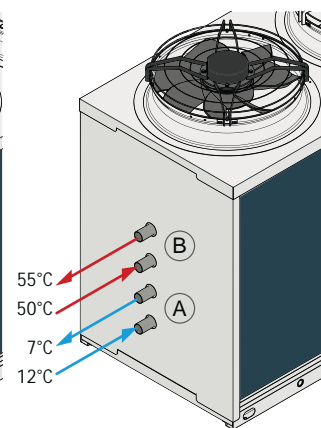
User water cooling



Domestic hot water production (D.H.W.)



User water cooling + D.H.W. production



The above scheme is for illustrative purposes only. For the correct pipes placement, please refer to the units technical manual.

3.3 Accessories description

3.3.1 Condensate discharge drip tray with antifreeze heater (BRCA)

Installed under the finned heat exchanger, this is used to collect the condensate generated during the heating mode operation. It is fitted with trace heating to prevent ice formation in low ambient conditions. This accessory may only be factory fitted.

3.3.2 Antifreeze kit (RAEV2, RAEV4)

This kit, used on units fitted with a hydraulic kit, comprises a “self-heating” electric cable that is wrapped around the user and domestic hot water exchanger (P4 Units only), the water circuit pipework. This device is controlled by the microprocessor.

3.3.3 Rubber vibration dampers (KAVG)

To be installed beneath the unit base and the ground to avoid the transmission of vibrations (and the noise) to the building.

3.3.4 RS485 serial interface card modbus protocol (INSE)

This controller card enables the controller to communicate with other devices on a BMS using Modbus protocol.

3.3.5 High efficiency E.C. axial fans (VECE)

High efficiency E.C. axial fans, supplied with Brushless DC electric motors electronically commutated (E.C. motors) able to grants the highest energy efficiency class (EFF1), according to the latest EU specifications, with the result of substantial energy consumption reduction for ventilation and noise reduction thanks to the new ultra efficient blade profiling. The fans are statically and dynamically balanced and supplied complete with a safety fan guard complying with the requirements of EN 60335. The fans are installed using a special steel profiled beam who minimize all vibrations and noise emitted. The nominal rotation speed is 700 rpm. All units are fitted with a pressure transducer for the control of the evaporation/condensation pressure. All electric motors are The motors are fitted with integrated thermal overload protection rating IP54.

3.3.6 Electronic expansion valve (VTEE)

The electronic expansion valve enables the maximum possible efficiency to be achieved by maximising the evaporator heat exchange, minimising the reaction time to load variations and optimising the superheat. It is strongly recommended for use in systems that will experience large load variations.

3.3.7 Electronic soft starter (DSSE)

The soft starter reduces the peak starting current down to a maximum of 40% of the nominal peak value. The device can only be installed in the factory.

3.3.8 Remote control panel (PCRL)

All units are supplied with microprocessor control panel with high definition display, mounted on board of the unit and it is remotable up to 50 mt. distance.

3.3.9 Hydraulic circuit antifreeze kit (KP)

This kit, used on units fitted with a hydraulic kit, comprises a "self-heating" electric cable that is wrapped around the user and domestic hot water exchanger (P4 Units only), the water circuit pipework and includes an armoured electric heater that is fitted inside the water tank. This device is controlled by the microprocessor and it is used in the unit equipped with hydraulic kit.

3.3.10 Integrated hydraulic kit 1 pump + Water tank (A1ZZU)

It includes: Water tank in different sizes (depending on the size of the unit) factory insulated with flexible close cell material and prepared for the installation of an antifreeze kit (option) and 1 water pump, centrifugal type, suitable for chilled water operation. The pumps are directly controlled by the microprocessor. The water tank is installed on the outlet water side in order to minimize fluctuations in the water temperature due to the compressors cycling at part load conditions. Also provided in the hydraulic circuit are an expansion vessel, pressure relief valve and system isolating valves with fittings.

3.3.11 Integrated hydraulic kit 2 pumps + Water tank (A2ZZU)

It includes: Water tank in different sizes (depending on the size of the unit) factory insulated with flexible close cell material and prepared for the installation of an antifreeze kit (option) and 2 pumps running+stand-by, centrifugal type, suitable for chilled water operation. The pumps are directly controlled by the microprocessor. The water tank is installed on the outlet water side in order to minimize fluctuations in the water temperature due to the compressors cycling at part load conditions. Also provided in the hydraulic circuit are an expansion vessel, pressure relief valve and system isolating valves with fittings.

3.3.12 Hydraulic kit with one pump without tank - user circuit (A1NTU)

It includes: 1 water pump, pressure relief valve (if required by PED norms).

3.3.13 Hydraulic kit with one pump without tank - recovery circuit (A1NTR)

It includes: 1 water pump, pressure relief valve (if required by PED norms).

3.3.14 Hydraulic kit with two pumps without tank - user circuit (A2NTU)

It includes: 2 pumps running+stand-by, pressure relief valve (if required by PED norms).

3.3.15 Hydraulic kit with two pumps without tank - recovery circuit (A2NTR)

It includes: 2 pumps running+stand-by, pressure relief valve (if required by PED norms).

3.3.16 Cascade control system (SGRS)

Cascade control system for the management of units. The system is made of a separate plastic box, to be installed in the technical room. It is connected to the units via RS485.

3.4 Technical data

SA/LS/RV - P4S		242	292	402	432	492	592	702	802	902	1002	1202	1402
Heating capacity (EN14511) ⁽¹⁾	kW	22,0	28,7	34,5	47,2	50,9	56,8	64,9	73,2	80,2	97,0	105,7	122,3
Total input power (EN14511) ⁽¹⁾	kW	5,8	7,3	9,1	12,2	12,6	14,4	16,0	17,9	20,8	24,3	27,3	30,7
COP (EN14511) ⁽¹⁾	W/W	3,83	3,93	3,80	3,86	4,04	3,94	4,06	4,10	3,86	4,00	3,87	3,98
Energy Class ⁽²⁾		A+	A+	A+	A+	A+	A+	A+	A+	A+	A+	A+	A+
SCOP ⁽²⁾	kWh/kWh	3,27	3,58	3,41	3,34	3,48	3,54	3,43	3,47	3,42	3,50	3,39	3,50
η _{s,h} ⁽²⁾	%	127,9	140,1	133,3	130,4	136,3	138,6	134,3	135,9	133,7	137,1	132,7	136,9
Cooling capacity (EN14511) ⁽³⁾	kW	17,8	24,1	28,4	38,8	42,7	48,2	55,2	60,2	69,7	83,3	91,6	102,6
Total input power (EN14511) ⁽³⁾	kW	7,1	9,8	11,7	15,0	16,4	19,8	21,9	24,5	29,3	32,7	37,7	42,6
EER (EN14511) ⁽³⁾	W/W	2,52	2,45	2,42	2,58	2,61	2,43	2,52	2,46	2,38	2,55	2,43	2,41
TER (EN14511) ⁽⁴⁾	W/W	8,76	9,43	9,02	8,58	9,28	9,55	9,58	9,29	9,13	9,34	9,14	9,23
Sound power ⁽⁵⁾	dB (A)	75	75	75	75	77	77	77	78	79	82	83	85
Sound pressure ⁽⁶⁾	dB (A)	43	43	43	43	45	45	45	46	47	50	51	53
SE/LS/RV - P4S		242	292	402	432	492	592	702	802	902	1002	1202	1402
Heating capacity (EN14511) ⁽¹⁾	kW	21,9	28,6	34,2	47,1	51,1	57,1	64,9	73,1	81,0	97,0	105,6	122,7
Total input power (EN14511) ⁽¹⁾	kW	5,6	7,2	8,8	11,9	12,4	14,4	15,8	17,6	20,9	24,0	27,3	30,5
COP (EN14511) ⁽¹⁾	W/W	3,92	3,95	3,87	3,95	4,13	3,97	4,10	4,15	3,88	4,04	3,87	4,02
Energy Class ⁽²⁾		A+	A+	A+	A+	A+	A+	A+	A+	A+	A+	A+	A+
SCOP ⁽²⁾	kWh/kWh	3,40	3,66	3,53	3,46	3,59	3,62	3,68	3,71	3,63	3,71	3,64	3,73
η _{s,h} ⁽²⁾	%	132,8	143,2	138,3	135,5	140,4	141,7	144,1	145,4	142,1	145,3	142,5	146,1
Cooling capacity (EN14511) ⁽³⁾	kW	17,7	24,1	28,2	39,0	43,5	48,9	55,6	61,3	70,3	84,3	92,0	103,5
Total input power (EN14511) ⁽³⁾	kW	7,0	9,8	11,8	14,9	16,0	19,5	21,8	24,0	28,9	32,3	37,4	42,2
EER (EN14511) ⁽³⁾	W/W	2,52	2,47	2,40	2,61	2,72	2,51	2,55	2,55	2,43	2,61	2,46	2,45
TER (EN14511) ⁽⁴⁾	W/W	8,76	9,43	9,02	8,58	9,28	9,55	9,58	9,29	9,13	9,34	9,14	9,23
Sound power ⁽⁵⁾	dB (A)	74	74	75	75	77	77	77	78	79	82	83	85
Sound pressure ⁽⁶⁾	dB (A)	42	42	43	43	45	45	45	46	47	50	51	53
Power supply	V/Ph/Hz	400/3+N/50	400/3+N/50	400/3+N/50	400/3/50	400/3/50	400/3/50	400/3/50	400/3/50	400/3/50	400/3/50	400/3/50	400/3/50
Compressors / Circuits	n° / n°	2 / 1	2 / 1	2 / 1	2 / 1	2 / 1	2 / 1	2 / 1	2 / 1	2 / 1	2 / 1	2 / 1	2 / 1
Fans	n°	1	1	2	2	2	2	2	2	2	3	3	3
Refrigerant		R410A	R410A	R410A	R410A	R410A	R410A	R410A	R410A	R410A	R410A	R410A	R410A
Refrigerant charge	kg	10,0	10,0	10,0	10,0	14,5	14,5	14,5	14,5	14,5	21,0	21,0	27,0
Global warming potential (GWP)		2088	2088	2088	2088	2088	2088	2088	2088	2088	2088	2088	2088
Equivalent CO ₂ charge	t	20,88	20,88	20,88	20,88	30,27	30,27	30,27	30,27	30,27	43,84	43,84	56,37
Water tank volume	l	100	100	100	100	100	100	300	300	300	500	500	500
SA/LS/RV - P4S		1602	1802	2002	2302	2502	2504	3004	3204	3504	4004	4504	5004 *
Heating capacity (EN14511) ⁽¹⁾	kW	136,0	157,3	169,0	196,6	215,0	221,3	226,1	258,8	330,6	357,4	393,3	431,7
Total input power (EN14511) ⁽¹⁾	kW	34,6	40,3	43,4	51,5	60,4	58,2	64,8	71,9	85,2	93,8	103,0	116,4
COP (EN14511) ⁽¹⁾	W/W	3,93	3,90	3,89	3,82	3,56	3,80	3,49	3,60	3,88	3,81	3,82	3,71
Energy Class ⁽²⁾		A+	A+	A+	A+	A+	A+	A+	A+	A+	A+	A+	A+
SCOP ⁽²⁾	kWh/kWh	3,50	3,48	3,46	3,45	3,24	3,25	3,23	3,26	3,25	3,27	3,24	3,34
η _{s,h} ⁽²⁾	%	137,0	136,1	135,5	134,8	126,5	127,1	126,1	127,2	127,0	127,8	126,4	130,4
Cooling capacity (EN14511) ⁽³⁾	kW	115,6	131,9	143,0	173,0	197,2	192,3	210,8	231,8	286,3	312,9	349,4	401,8
Total input power (EN14511) ⁽³⁾	kW	47,2	53,8	63,6	68,9	76,7	76,0	87,5	97,8	106,0	121,8	138,1	153,4
EER (EN14511) ⁽³⁾	W/W	2,45	2,45	2,25	2,51	2,57	2,53	2,41	2,37	2,70	2,57	2,53	2,62
TER (EN14511) ⁽⁴⁾	W/W	9,25	9,33	9,39	9,34	9,40	8,96	8,97	8,94	9,42	9,50	9,24	9,37
Sound power ⁽⁵⁾	dB (A)	86	86	86	89	90	87	89	90	90	90	92	93
Sound pressure ⁽⁶⁾	dB (A)	54	54	54	57	58	55	57	58	58	58	60	61
Power supply	V/Ph/Hz	400/3/50	400/3/50	400/3/50	400/3/50	400/3/50	400/3/50	400/3/50	400/3/50	400/3/50	400/3/50	400/3/50	400/3/50
Compressors / Circuits	n° / n°	2 / 1	2 / 1	2 / 1	2 / 1	2 / 1	4 / 2	4 / 2	4 / 2	4 / 2	4 / 2	4 / 2	4 / 2
Fans	n°	4	4	4	3	4	4	4	4	6	6	6	8
Refrigerant		R410A	R410A	R410A	R410A	R410A	R410A	R410A	R410A	R410A	R410A	R410A	R410A
Refrigerant charge	kg	27,0	36,0	36,0	45,0	45,0	45,0	54,0	54,0	72,0	80,0	90,0	100,0
Global warming potential (GWP)		2088	2088	2088	2088	2088	2088	2088	2088	2088	2088	2088	2088
Equivalent CO ₂ charge	t	56,37	75,16	75,16	93,96	93,96	93,96	112,75	112,75	150,33	167,04	187,92	208,80
Water tank volume	l	500	500	500	500	500	500	500	500	1000	1000	1000	1000

Performances are referred to the following conditions:

(1) Heating: Ambient temperature 7°C DB, 6°C WB, water temperature 30/35°C.

(2) Average conditions, low temperature, variable - Reg EU 811/2013

(3) Cooling: ambient air temperature 35°C, evaporator water temperature in/out 12/7 °C.

(4) TER: Total Energy Ratio - cold circuit 12/7°C, hot circuit 30/35°C.

(5) Sound power level in accordance with ISO 3744.

(6) Sound pressure level at 10 mt from the unit in free field conditions in accordance with ISO 3744.

* Units only available for the non-EU market



The refrigerant data may change without notice. It is therefore necessary to refer always to the silver label placed on the unit.

LHA P4U/P4S High efficiency air to water heat pumps

SA/LS/RV - P4U		242	292	402	432	492	592	702	802	902	1002	1202	1402
Heating capacity (EN14511) ⁽¹⁾	kW	22,0	28,7	34,5	47,2	50,9	56,8	67,0	75,4	82,6	101,0	107,9	125,9
Total input power (EN14511) ⁽¹⁾	kW	5,8	7,3	9,1	12,2	12,6	14,4	16,1	18,0	21,0	24,5	27,5	31,0
COP (EN14511) ⁽¹⁾	W/W	3,83	3,93	3,80	3,86	4,04	3,94	4,17	4,19	3,94	4,12	3,92	4,06
Energy Class ⁽²⁾		A+	A+	A+	A+	A+	A+	A+	A+	A+	A+	A+	A+
SCOP ⁽²⁾	kWh/kWh	3,27	3,58	3,41	3,34	3,48	3,54	3,50	3,54	3,52	3,58	3,46	3,56
η _{s,h} ⁽²⁾	%	127,9	140,1	133,3	130,4	136,3	138,6	137,1	138,5	137,9	140,0	135,4	139,3
Cooling capacity (EN14511) ⁽³⁾	kW	17,8	24,1	28,4	38,8	42,7	48,2	55,2	60,2	69,7	83,3	91,6	102,6
Total input power (EN14511) ⁽³⁾	kW	7,1	9,8	11,7	15,0	16,4	19,8	21,9	24,5	29,3	32,7	37,7	42,6
EER (EN14511) ⁽³⁾	W/W	2,52	2,45	2,42	2,58	2,61	2,43	2,52	2,46	2,38	2,55	2,43	2,41
TER (EN14511) ⁽⁴⁾	W/W	8,76	9,43	9,02	8,58	9,28	9,55	9,58	9,29	9,13	9,34	9,14	9,23
Sound power ⁽⁵⁾	dB (A)	75	75	75	75	77	77	77	78	79	82	83	85
Sound pressure ⁽⁶⁾	dB (A)	43	43	43	43	45	45	45	46	47	50	51	53
SE/LS/RV - P4U		242	292	402	432	492	592	702	802	902	1002	1202	1402
Heating capacity (EN14511) ⁽¹⁾	kW	21,9	28,6	34,2	47,1	51,1	57,1	67,2	75,7	83,5	101,3	108,7	126,6
Total input power (EN14511) ⁽¹⁾	kW	5,6	7,2	8,8	11,9	12,4	14,4	16,0	17,9	21,0	24,3	27,5	30,9
COP (EN14511) ⁽¹⁾	W/W	3,92	3,95	3,87	3,95	4,13	3,97	4,20	4,23	3,98	4,17	3,96	4,09
Energy Class ⁽²⁾		A+	A+	A+	A+	A+	A+	A+	A+	A+	A++	A+	A++
SCOP ⁽²⁾	kWh/kWh	3,40	3,66	3,53	3,46	3,59	3,62	3,77	3,80	3,72	3,79	3,73	3,82
η _{s,h} ⁽²⁾	%	132,8	143,2	138,3	135,5	140,4	141,7	147,7	148,9	145,6	148,6	146,2	149,6
Cooling capacity (EN14511) ⁽³⁾	kW	17,7	24,1	28,2	39,0	43,5	48,9	55,6	61,3	70,3	84,3	92,0	103,5
Total input power (EN14511) ⁽³⁾	kW	7,0	9,8	11,8	14,9	16,0	19,5	21,8	24,0	28,9	32,3	37,4	42,2
EER (EN14511) ⁽³⁾	W/W	2,52	2,47	2,40	2,61	2,72	2,51	2,55	2,55	2,43	2,61	2,46	2,45
TER (EN14511) ⁽⁴⁾	W/W	8,76	9,43	9,02	8,58	9,28	9,55	9,58	9,29	9,13	9,34	9,14	9,23
Sound power ⁽⁵⁾	dB (A)	74	74	75	75	77	77	77	78	79	82	83	85
Sound pressure ⁽⁶⁾	dB (A)	42	42	43	43	45	45	45	46	47	50	51	53
Power supply	V/Ph/Hz	400/3+N/50	400/3+N/50	400/3+N/50	400/3/50	400/3/50	400/3/50	400/3/50	400/3/50	400/3/50	400/3/50	400/3/50	400/3/50
Compressors / Circuits	n° / n°	2 / 1	2 / 1	2 / 1	2 / 1	2 / 1	2 / 1	2 / 1	2 / 1	2 / 1	2 / 1	2 / 1	2 / 1
Fans	n°	1	1	2	2	2	2	2	2	2	3	3	3
Refrigerant		R410A	R410A	R410A	R410A	R410A	R410A	R410A	R410A	R410A	R410A	R410A	R410A
Refrigerant charge	kg	10,0	10,0	10,0	10,0	14,5	14,5	14,5	14,5	14,5	21,0	21,0	27,0
Global warming potential (GWP)		2088	2088	2088	2088	2088	2088	2088	2088	2088	2088	2088	2088
Equivalent CO ₂ charge	t	20,88	20,88	20,88	20,88	30,27	30,27	30,27	30,27	30,27	43,84	43,84	56,37
Water tank volume	l	100	100	100	100	100	100	300	300	300	500	500	500
SA/LS/RV - P4U		1602	1802	2002	2302	2502	2504	3004	3204	3504	4004	4504	5004 *
Heating capacity (EN14511) ⁽¹⁾	kW	140,0	161,8	173,5	202,7	222,9	226,2	234,8	268,5	341,0	369,9	406,2	444,9
Total input power (EN14511) ⁽¹⁾	kW	35,0	39,4	43,6	51,9	59,1	59,5	66,2	73,6	85,4	93,8	105,2	118,7
COP (EN14511) ⁽¹⁾	W/W	4,00	4,11	3,98	3,90	3,77	3,80	3,55	3,65	3,99	3,94	3,86	3,75
Energy Class ⁽²⁾		A+	A+	A+	A+	A+	A+	A+	A+	A+	A+	A+	A+
SCOP ⁽²⁾	kWh/kWh	3,57	3,54	3,54	3,51	3,39	3,30	3,27	3,28	3,33	3,34	3,28	3,38
η _{s,h} ⁽²⁾	%	139,6	138,4	138,4	137,4	132,5	128,8	127,7	128,3	130,2	130,6	128,0	132,2
Cooling capacity (EN14511) ⁽³⁾	kW	115,6	131,9	143,0	173,0	197,2	192,3	210,8	231,8	286,3	312,9	349,4	401,8
Total input power (EN14511) ⁽³⁾	kW	47,2	53,8	63,6	68,9	76,7	76,0	87,5	97,8	106,0	121,8	138,1	153,4
EER (EN14511) ⁽³⁾	W/W	2,45	2,45	2,25	2,51	2,57	2,53	2,41	2,37	2,70	2,57	2,53	2,62
TER (EN14511) ⁽⁴⁾	W/W	9,25	9,33	9,39	9,34	9,40	8,96	8,97	8,94	9,42	9,50	9,24	9,37
Sound power ⁽⁵⁾	dB (A)	86	86	86	89	90	87	89	90	90	90	92	93
Sound pressure ⁽⁶⁾	dB (A)	54	54	54	57	58	55	57	58	58	58	60	61
SE/LS/RV - P4U		1602	1802	2002	2302	2502	2504	3004	3204	3504	4004	4504	5004 *
Heating capacity (EN14511) ⁽¹⁾	kW	141,2	163,4	175,6	204,4	224,8	226,5	236,7	272,7	339,6	371,9	408,2	463,2
Total input power (EN14511) ⁽¹⁾	kW	35,0	39,3	43,6	52,0	59,1	59,4	66,3	73,8	83,0	92,3	105,1	118,8
COP (EN14511) ⁽¹⁾	W/W	4,04	4,16	4,03	3,93	3,80	3,81	3,57	3,70	4,09	4,03	3,88	3,90
Energy Class ⁽²⁾		A+	A++	A+	A+	A+	A+	A+	A+	A+	A+	A+	A+
SCOP ⁽²⁾	kWh/kWh	3,77	3,84	3,78	3,82	3,80	3,56	3,51	3,48	3,63	3,66	3,64	3,61
η _{s,h} ⁽²⁾	%	147,6	150,5	148,3	149,9	149,1	139,2	137,4	136,3	142,1	143,3	142,6	141,3
Cooling capacity (EN14511) ⁽³⁾	kW	116,4	132,9	147,1	175,3	200,4	195,8	212,1	233,3	289,3	321,1	357,3	408,0
Total input power (EN14511) ⁽³⁾	kW	46,9	53,4	61,0	67,9	75,6	74,4	86,9	96,8	104,8	118,1	135,9	150,0
EER (EN14511) ⁽³⁾	W/W	2,48	2,49	2,41	2,58	2,65	2,63	2,44	2,41	2,76	2,72	2,63	2,72
TER (EN14511) ⁽⁴⁾	W/W	9,25	9,33	9,39	9,34	9,40	8,96	8,97	8,94	9,42	9,50	9,24	9,31
Sound power ⁽⁵⁾	dB (A)	86	86	86	89	90	87	89	90	90	90	92	93
Sound pressure ⁽⁶⁾	dB (A)	54	54	54	57	58	55	57	58	58	58	60	61
Power supply	V/Ph/Hz	400/3/50	400/3/50	400/3/50	400/3/50	400/3/50	400/3/50	400/3/50	400/3/50	400/3/50	400/3/50	400/3/50	400/3/50
Compressors / Circuits	n° / n°	2 / 1	2 / 1	2 / 1	2 / 1	2 / 1	4 / 2	4 / 2	4 / 2	4 / 2	4 / 2	4 / 2	4 / 2
Fans	n°	4	4	4	3	4	4	4	4	6	6	6	8
Refrigerant		R410A	R410A	R410A	R410A	R410A	R410A	R410A	R410A	R410A	R410A	R410A	R410A
Refrigerant charge	kg	27,0	36,0	36,0	45,0	45,0	45,0	54,0	54,0	72,0	80,0	90,0	100,0
Global warming potential (GWP)		2088	2088	2088	2088	2088	2088	2088	2088	2088	2088	2088	2088
Equivalent CO ₂ charge	t	56,37	75,16	75,16	93,96	93,96	93,96	112,75	112,75	150,33	167,04	187,92	208,80
Water tank volume	l	500	500	500	500	500	500	500	500	1000	1000	1000	1000

Performances are referred to the following conditions:

(1) Heating: Ambient temperature 7°C DB, 6°C WB, water temperature 30/35°C.

(2) Average conditions, low temperature, variable - Reg EU 811/2013

(3) Cooling: ambient air temperature 35°C, evaporator water temperature in/out 12/7 °C..

(4) TER: Total Energy Ratio - cold circuit 12/7°C, hot circuit 30/35°C.

(5) Sound power level in accordance with ISO 3744.

(6) Sound pressure level at 10 mt from the unit in free field conditions in accordance with ISO 3744.

* Units only available for the non-EU market



The refrigerant data may change without notice. It is therefore necessary to refer always to the silver label placed on the unit.

HA/LS/RV - P4S													
Heating capacity (EN14511) ⁽¹⁾	kW	242	292	412	432	492	602	702	802	902	1002	1202	1402
Total input power (EN14511) ⁽¹⁾	kW	5,3	7,1	9,0	11,4	12,0	13,6	15,4	17,0	22,1	25,3	28,4	32,4
COP (EN14511) ⁽¹⁾	W/W	4,11	4,12	4,13	4,11	4,22	4,49	4,38	4,27	4,21	4,14	4,03	4,24
Energy Class ⁽²⁾		A+	A+	A+	A+	A+	A++	A++	A++	A+	A+	A+	A+
SCOP ⁽²⁾	kWh/kWh	3,40	3,69	3,53	3,57	3,67	3,97	3,91	3,87	3,70	3,67	3,69	3,70
$\eta_{s,h}$ ⁽²⁾	%	132,9	144,7	138,0	139,6	143,8	155,7	153,4	151,6	145,1	143,7	144,4	144,8
Cooling capacity (EN14511) ⁽³⁾	kW	18,1	24,5	30,8	39,9	44,2	52,3	57,4	62,6	79,8	89,6	97,8	117,0
Total input power (EN14511) ⁽³⁾	kW	7,0	9,6	10,9	15,0	16,3	18,4	21,5	24,5	27,2	31,7	36,5	43,8
EER (EN14511) ⁽³⁾	W/W	2,57	2,56	2,84	2,65	2,72	2,84	2,67	2,55	2,93	2,83	2,68	2,67
TER (EN14511) ⁽⁴⁾	W/W	9,05	9,43	9,56	9,54	10,41	10,48	10,42	10,43	9,84	9,63	9,46	9,91
Sound power ⁽⁵⁾	dB (A)	75	75	75	75	76	76	77	78	82	83	85	86
Sound pressure ⁽⁶⁾	dB (A)	43	43	43	43	44	44	45	46	50	51	53	54
HE/LS/RV - P4S													
Heating capacity (EN14511) ⁽¹⁾	kW	242	292	412	432	492	602	702	802	902	1002	1202	1402
Total input power (EN14511) ⁽¹⁾	kW	5,3	7,1	8,8	11,5	11,8	13,3	15,1	17,2	21,2	24,5	27,8	30,9
COP (EN14511) ⁽¹⁾	W/W	4,11	4,16	4,23	4,11	4,32	4,61	4,46	4,36	4,40	4,29	4,13	4,44
Energy Class ⁽²⁾		A++	A++	A++	A++	A++	A++	A++	A++	A++	A++	A++	A++
SCOP ⁽²⁾	kWh/kWh	3,83	3,86	3,85	3,85	3,92	4,13	4,04	3,97	3,87	3,85	3,83	3,85
$\eta_{s,h}$ ⁽²⁾	%	150,1	151,4	150,9	151,1	153,6	162,0	158,4	155,8	151,7	150,8	150,2	151,0
Cooling capacity (EN14511) ⁽³⁾	kW	18,1	25,4	30,5	40,6	44,2	52,4	57,5	65,4	80,5	90,2	103,7	117,4
Total input power (EN14511) ⁽³⁾	kW	6,9	8,4	11,0	14,5	16,1	18,3	21,3	22,8	26,6	31,2	35,1	38,6
EER (EN14511) ⁽³⁾	W/W	2,62	3,02	2,78	2,81	2,74	2,87	2,70	2,87	3,03	2,89	2,95	3,04
TER (EN14511) ⁽⁴⁾	W/W	9,05	9,63	9,56	9,54	10,41	10,48	10,42	10,50	9,84	9,63	10,30	9,91
Sound power ⁽⁵⁾	dB (A)	73	74	74	75	76	76	77	78	82	83	85	86
Sound pressure ⁽⁶⁾	dB (A)	41	42	42	43	44	44	45	46	50	51	53	54
Power supply	V/Ph/Hz	400/3+N/50	400/3+N/50	400/3/50	400/3/50	400/3/50	400/3/50	400/3/50	400/3/50	400/3/50	400/3/50	400/3/50	400/3/50
Compressors / Circuits	n° / n°	2 / 1	2 / 1	2 / 1	2 / 1	2 / 1	2 / 1	2 / 1	2 / 1	2 / 1	2 / 1	2 / 1	2 / 1
Fans	n°	1	1	2	2	2	2	2	2	2	2	2	3
Refrigerant		R410A	R410A	R410A	R410A	R410A	R410A	R410A	R410A	R410A	R410A	R410A	R410A
Refrigerant charge	kg	10,0	10,0	10,0	10,0	14,5	19,0	19,0	19,0	27,0	27,0	27,0	36,0
Global warming potential (GWP)		2088	2088	2088	2088	2088	2088	2088	2088	2088	2088	2088	2088
Equivalent CO ₂ charge	t	20,88	20,88	20,88	20,88	30,28	39,67	39,67	39,67	56,38	56,38	56,38	75,17
Water tank volume	l	100	100	100	100	100	300	300	300	300	300	300	500
HA/LS/RV - P4S													
Heating capacity (EN14511) ⁽¹⁾	kW	1602	1802	2002	2302	2502	2504	3004	3204	3504	4004	4504	5004 *
Total input power (EN14511) ⁽¹⁾	kW	150,8	167,2	182,0	209,7	239,2	228,6	270,2	295,6	335,0	363,1	404,5	458,7
Total input power (EN14511) ⁽¹⁾	kW	35,8	41,3	45,4	50,3	55,8	56,7	67,0	74,1	83,5	90,3	105,1	116,4
COP (EN14511) ⁽¹⁾	W/W	4,21	4,05	4,01	4,17	4,29	4,03	4,03	3,99	4,01	4,02	3,85	3,94
Energy Class ⁽²⁾		A+	A+	A+	A+	A++	A+	A+	A+	A+	A+	A+	A+
SCOP ⁽²⁾	kWh/kWh	3,74	3,69	3,62	3,76	3,83	3,65	3,63	3,65	3,66	3,73	3,61	3,63
$\eta_{s,h}$ ⁽²⁾	%	146,4	144,7	141,9	147,3	150,3	143,1	142,0	142,9	143,3	146,1	141,4	142,0
Cooling capacity (EN14511) ⁽³⁾	kW	129,5	144,5	159,3	180,2	199,7	197,4	230,1	257,2	288,2	325,6	366,0	405,0
Total input power (EN14511) ⁽³⁾	kW	44,3	51,8	58,8	66,3	74,5	73,1	81,9	91,5	105,6	116,7	136,1	155,2
EER (EN14511) ⁽³⁾	W/W	2,92	2,79	2,71	2,72	2,68	2,70	2,81	2,81	2,73	2,79	2,69	2,61
TER (EN14511) ⁽⁴⁾	W/W	9,87	9,99	9,90	9,79	9,74	9,27	9,18	9,60	9,68	9,71	9,62	9,50
Sound power ⁽⁵⁾	dB (A)	87	87	87	89	91	88	89	90	90	90	92	92
Sound pressure ⁽⁶⁾	dB (A)	55	55	55	57	59	56	57	58	58	58	60	60
HE/LS/RV - P4S													
Heating capacity (EN14511) ⁽¹⁾	kW	1602	1802	2002	2302	2502	2504	3004	3204	3504	4004	4504	5004 *
Heating capacity (EN14511) ⁽¹⁾	kW	151,0	167,9	182,8	210,6	241,3	229,4	271,4	296,7	339,0	364,9	407,0	463,7
Total input power (EN14511) ⁽¹⁾	kW	34,4	40,2	45,5	49,4	54,8	55,8	63,9	71,5	83,7	88,8	104,1	115,1
COP (EN14511) ⁽¹⁾	W/W	4,39	4,18	4,02	4,26	4,40	4,11	4,25	4,15	4,05	4,11	3,91	4,03
Energy Class ⁽²⁾		A++	A++	A++	A++	A++	A++	A++	A++	A++	A++	A++	A++
SCOP ⁽²⁾	kWh/kWh	3,86	3,85	3,84	3,92	3,97	3,83	3,85	3,83	3,91	3,89	3,87	3,86
$\eta_{s,h}$ ⁽²⁾	%	151,3	150,9	150,4	153,6	155,6	150,2	151,1	150,3	153,5	152,4	151,9	151,5
Cooling capacity (EN14511) ⁽³⁾	kW	129,5	146,8	159,2	180,4	202,1	198,5	231,0	259,7	289,4	322,6	368,5	416,0
Total input power (EN14511) ⁽³⁾	kW	44,0	50,8	58,7	66,1	73,2	72,7	80,5	89,2	105,2	118,2	135,0	154,6
EER (EN14511) ⁽³⁾	W/W	2,94	2,89	2,71	2,73	2,76	2,73	2,87	2,91	2,75	2,73	2,73	2,69
TER (EN14511) ⁽⁴⁾	W/W	9,87	9,99	9,90	9,79	9,74	9,27	9,18	9,60	9,68	9,71	9,62	9,50
Sound power ⁽⁵⁾	dB (A)	87	87	87	89	91	88	89	90	90	90	92	92
Sound pressure ⁽⁶⁾	dB (A)	55	55	55	57	59	56	57	58	58	58	60	60
Power supply	V/Ph/Hz	400/3/50	400/3/50	400/3/50	400/3/50	400/3/50	400/3/50	400/3/50	400/3/50	400/3/50	400/3/50	400/3/50	400/3/50
Compressors / Circuits	n° / n°	2 / 1	2 / 1	2 / 1	2 / 1	2 / 1	4 / 2	4 / 2	4 / 2	4 / 2	4 / 2	4 / 2	4 / 2
Fans	n°	3	3	3	3	3	4	6	6	6	6	8	8
Refrigerant		R410A	R410A	R410A	R410A	R410A	R410A	R410A	R410A	R410A	R410A	R410A	R410A
Refrigerant charge	kg	36,0	36,0	45,0	45,0	60,0	60,0	72,0	72,0	72,0	90,0	90,0	100,0
Global warming potential (GWP)		2088	2088	2088	2088	2088	2088	2088	2088	2088	2088	2088	2088
Equivalent CO ₂ charge	t	75,17	75,17	93,96	93,96	125,28	125,28	150,34	150,34	150,34	187,92	187,92	208,80
Water tank volume	l	500	500	500	500	500	1000	1000	1000	1000	1000	1000	1000

Performances are referred to the following conditions:

(1) Heating: Ambient temperature 7°C DB, 6°C WB, water temperature 30/35°C.

(2) Average conditions, low temperature, variable - Reg EU 811/2013

(3) Cooling: ambient air temperature 35°C, evaporator water temperature in/out 12/7 °C..

(4) TER: Total Energy Ratio - cold circuit 12/7°C, hot circuit 30/35°C.

(5) Sound power level in accordance with ISO 3744.

(6) Sound pressure level at 10 mt from the unit in free field conditions in accordance with ISO 3744.

* Units only available for the non-EU market



The refrigerant data may change without notice. It is therefore necessary to refer always to the silver label placed on the unit.

LHA P4U/P4S High efficiency air to water heat pumps

HA/LS/RV - P4U		242	292	412	432	492	602	702	802	902	1002	1202	1402	1602
Heating capacity (EN14511) ⁽¹⁾	kW	22,9	30,5	37,3	46,9	50,7	63,6	69,6	75,0	96,6	108,3	118,1	142,2	156,2
Total input power (EN14511) ⁽¹⁾	kW	5,6	7,3	9,0	11,4	12,0	13,7	15,5	17,1	22,3	25,5	28,7	32,6	36,0
COP (EN14511) ⁽¹⁾	W/W	4,11	4,20	4,13	4,11	4,22	4,64	4,50	4,39	4,33	4,24	4,11	4,36	4,34
Energy Class ⁽²⁾		A+	A+	A+	A+	A+	A++	A++	A++	A+	A+	A+	A+	A+
SCOP ⁽²⁾	kWh/kWh	3,47	3,76	3,53	3,57	3,67	4,04	4,00	3,95	3,76	3,73	3,78	3,76	3,81
$\eta_{s,h}$ ⁽²⁾	%	135,7	147,4	138,0	139,6	143,8	158,5	156,8	155,0	147,4	146,1	148,3	147,3	149,2
Cooling capacity (EN14511) ⁽³⁾	kW	18,1	24,5	30,8	39,9	44,2	52,3	57,4	62,6	79,8	89,6	97,8	117,0	129,5
Total input power (EN14511) ⁽³⁾	kW	7,0	9,6	10,9	15,0	16,3	18,4	21,5	24,5	27,2	31,7	36,5	43,8	44,3
EER (EN14511) ⁽³⁾	W/W	2,57	2,56	2,84	2,65	2,72	2,84	2,67	2,55	2,93	2,83	2,68	2,67	2,92
TER (EN14511) ⁽⁴⁾	W/W	9,05	9,43	9,56	9,54	10,41	10,48	10,42	10,43	9,84	9,63	9,46	9,91	9,87
Sound power ⁽⁵⁾	dB (A)	75	75	75	75	76	76	77	78	82	83	85	86	87
Sound pressure ⁽⁶⁾	dB (A)	43	43	43	43	44	44	45	46	50	51	53	54	55
HE/LS/RV - P4U		242	292	412	432	492	602	702	802	902	1002	1202	1402	1602
Heating capacity (EN14511) ⁽¹⁾	kW	23,0	30,5	37,3	47,1	50,8	63,5	69,7	75,0	96,8	108,6	118,5	142,1	156,5
Total input power (EN14511) ⁽¹⁾	kW	5,4	7,2	8,8	11,5	11,8	13,4	15,2	16,9	21,4	24,8	28,2	31,2	34,8
COP (EN14511) ⁽¹⁾	W/W	4,24	4,27	4,23	4,11	4,32	4,75	4,59	4,44	4,53	4,39	4,21	4,55	4,50
Energy Class ⁽²⁾		A+	A++	A++	A++	A++	A++	A++	A++	A+	A+	A+	A+	A++
SCOP ⁽²⁾	kWh/kWh	3,92	3,93	3,85	3,85	3,92	4,20	4,12	4,06	3,92	3,91	3,92	3,92	3,92
$\eta_{s,h}$ ⁽²⁾	%	153,9	154,2	150,9	151,1	153,6	165,0	161,8	159,2	153,8	153,4	153,8	153,9	153,6
Cooling capacity (EN14511) ⁽³⁾	kW	18,1	24,6	30,5	40,6	44,2	52,4	57,5	63,4	80,5	90,2	103,7	117,4	129,5
Total input power (EN14511) ⁽³⁾	kW	6,9	9,5	11,0	14,5	16,1	18,3	21,3	23,9	26,6	31,2	35,1	38,6	44,0
EER (EN14511) ⁽³⁾	W/W	2,62	2,59	2,78	2,81	2,74	2,87	2,70	2,65	3,03	2,89	2,95	3,04	2,94
TER (EN14511) ⁽⁴⁾	W/W	9,05	9,43	9,56	9,54	10,41	10,48	10,42	10,43	9,84	9,63	10,30	9,91	9,87
Sound power ⁽⁵⁾	dB (A)	73	74	74	75	76	76	77	78	82	83	85	86	87
Sound pressure ⁽⁶⁾	dB (A)	41	42	42	43	44	44	45	46	50	51	53	54	55
Power supply	V/Ph/Hz	400/3+N/50	400/3+N/50	400/3/50	400/3/50	400/3/50	400/3/50	400/3/50	400/3/50	400/3/50	400/3/50	400/3/50	400/3/50	400/3/50
Compressors / Circuits	n° / n°	2 / 1	2 / 1	2 / 1	2 / 1	2 / 1	2 / 1	2 / 1	2 / 1	2 / 1	2 / 1	2 / 1	2 / 1	2 / 1
Fans	n°	1	1	2	2	2	2	2	2	2	2	2	3	3
Refrigerant		R410A	R410A	R410A	R410A	R410A	R410A	R410A	R410A	R410A	R410A	R410A	R410A	R410A
Refrigerant charge	kg	10,0	10,0	10,0	10,0	14,5	19,0	19,0	19,0	27,0	27,0	27,0	36,0	36,0
Global warming potential (GWP)		2088	2088	2088	2088	2088	2088	2088	2088	2088	2088	2088	2088	2088
Equivalent CO ₂ charge	t	20,88	20,88	20,88	20,88	30,28	39,67	39,67	39,67	56,38	56,38	56,38	75,17	75,17
Water tank volume	l	100	100	100	100	100	300	300	300	300	300	300	500	500
HA/LS/RV - P4U		1802	2002	2302	2502	2504	3004	3204	3504	4004	4504	5004 *		
Heating capacity (EN14511) ⁽¹⁾	kW	173,5	188,7	216,2	247,7	235,9	279,5	306,4	337,5	372,8	417,0	474,8		
Total input power (EN14511) ⁽¹⁾	kW	40,5	45,3	50,6	56,1	58,1	68,5	74,6	83,5	92,1	107,2	118,9		
COP (EN14511) ⁽¹⁾	W/W	4,28	4,17	4,27	4,41	4,06	4,08	4,11	4,04	4,05	3,89	3,99		
Energy Class ⁽²⁾		A++	A+	A++	A++	A+	A+	A+	A+	A+	A+	A+		
SCOP ⁽²⁾	kWh/kWh	3,83	3,77	3,85	3,96	3,68	3,63	3,74	3,74	3,75	3,63	3,66		
$\eta_{s,h}$ ⁽²⁾	%	150,0	147,8	151,0	155,5	144,2	142,2	146,5	146,6	146,8	142,0	143,5		
Cooling capacity (EN14511) ⁽³⁾	kW	144,5	159,3	180,2	199,7	197,4	230,1	257,2	288,2	325,6	366,0	405,0		
Total input power (EN14511) ⁽³⁾	kW	51,8	58,8	66,3	74,5	73,1	81,9	91,5	105,6	116,7	136,1	155,2		
EER (EN14511) ⁽³⁾	W/W	2,79	2,71	2,72	2,68	2,70	2,81	2,81	2,73	2,79	2,69	2,61		
TER (EN14511) ⁽⁴⁾	W/W	9,99	9,90	9,79	9,74	9,27	9,18	9,60	9,68	9,71	9,62	9,50		
Sound power ⁽⁵⁾	dB (A)	87	87	89	91	88	89	90	90	90	92	92		
Sound pressure ⁽⁶⁾	dB (A)	55	55	57	59	56	57	58	58	58	60	60		
Power supply	V/Ph/Hz	400/3/50	400/3/50	400/3/50	400/3/50	400/3/50	400/3/50	400/3/50	400/3/50	400/3/50	400/3/50	400/3/50		
Compressors / Circuits	n° / n°	2 / 1	2 / 1	2 / 1	2 / 1	4 / 2	4 / 2	4 / 2	4 / 2	4 / 2	4 / 2	4 / 2		
Fans	n°	3	3	3	3	4	6	6	6	6	8	8		
Refrigerant		R410A	R410A	R410A	R410A	R410A	R410A	R410A	R410A	R410A	R410A	R410A		
Refrigerant charge	kg	36,0	45,0	45,0	60,0	60,0	72,0	72,0	72,0	90,0	90,0	100,0		
Global warming potential (GWP)		2088	2088	2088	2088	2088	2088	2088	2088	2088	2088	2088		
Equivalent CO ₂ charge	t	75,17	93,96	93,96	125,28	125,28	150,34	150,34	150,34	187,92	187,92	208,80		
Water tank volume	l	500	500	500	500	1000	1000	1000	1000	1000	1000	1000		

Performances are referred to the following conditions:

(1) Heating: Ambient temperature 7°C DB, 6°C WB, water temperature 30/35°C.

(2) Average conditions, low temperature, variable - Reg EU 811/2013

(3) Cooling: ambient air temperature 35°C, evaporator water temperature in/out 12/7 °C.

(4) TER: Total Energy Ratio - cold circuit 12/7°C, hot circuit 30/35°C.

(5) Sound power level in accordance with ISO 3744.

(6) Sound pressure level at 10 mt from the unit in free field conditions in accordance with ISO 3744.

* Units only available for the non-EU market



The refrigerant data may change without notice. It is therefore necessary to refer always to the silver label placed on the unit.

HA/XL/RV - P4S		252	302	412	432	492	602	702	802	902	1002	1202	1402	1602
Heating capacity (EN14511) ⁽¹⁾	kW	23,1	29,8	36,8	46,2	49,4	60,1	65,9	71,0	91,6	101,7	111,1	134,8	148,2
Total input power (EN14511) ⁽¹⁾	kW	5,6	7,2	8,8	11,2	11,7	13,4	15,1	16,7	20,9	23,9	27,0	30,5	33,8
COP (EN14511) ⁽¹⁾	W/W	4,12	4,13	4,20	4,12	4,21	4,50	4,35	4,25	4,39	4,26	4,11	4,42	4,39
Energy Class ⁽²⁾		A+	A+	A+	A+	A+	A++	A++	A++	A++	A++	A+	A++	A++
SCOP ⁽²⁾	kWh/kWh	3,36	3,58	3,68	3,65	3,77	4,04	3,96	3,89	3,88	3,87	3,72	3,95	3,92
η _{s,h} ⁽²⁾	%	131,2	140,2	144,0	143,0	147,9	158,6	155,4	152,7	152,2	151,6	145,7	155,1	153,7
Cooling capacity (EN14511) ⁽³⁾	kW	19,5	24,7	29,7	38,9	42,8	50,4	55,7	60,3	78,1	86,4	94,1	114,3	124,4
Total input power (EN14511) ⁽³⁾	kW	7,2	9,7	11,2	15,4	16,7	19,1	22,0	25,1	26,7	31,5	36,8	39,0	44,4
EER (EN14511) ⁽³⁾	W/W	2,72	2,55	2,65	2,54	2,57	2,64	2,53	2,40	2,93	2,74	2,56	2,93	2,80
TER (EN14511) ⁽⁴⁾	W/W	9,44	9,43	9,56	9,54	10,41	10,48	10,42	10,43	9,84	9,63	9,46	9,91	9,87
Sound power ⁽⁵⁾	dB (A)	70	70	70	70	72	72	72	73	75	76	78	80	81
Sound pressure ⁽⁶⁾	dB (A)	38	38	38	38	40	40	40	41	43	44	46	48	49
HE/XL/RV - P4S		252	302	412	432	492	602	702	802	902	1002	1202	1402	1602
Heating capacity (EN14511) ⁽¹⁾	kW	23,1	29,8	36,9	46,3	49,7	60,0	65,9	71,0	91,4	101,4	111,0	134,5	147,7
Total input power (EN14511) ⁽¹⁾	kW	5,5	7,1	8,5	11,1	11,4	13,1	14,9	16,6	20,3	23,4	26,4	29,6	33,0
COP (EN14511) ⁽¹⁾	W/W	4,23	4,18	4,34	4,16	4,35	4,59	4,42	4,29	4,51	4,34	4,21	4,55	4,48
Energy Class ⁽²⁾		A++	A++	A++	A++	A++	A++	A++	A++	A++	A++	A++	A++	A++
SCOP ⁽²⁾	kWh/kWh	3,83	3,86	3,92	3,91	3,98	4,19	4,09	4,00	4,05	4,01	3,86	4,13	4,06
η _{s,h} ⁽²⁾	%	150,2	151,3	153,8	153,2	156,2	164,5	160,6	156,9	158,8	157,4	151,5	162,3	159,5
Cooling capacity (EN14511) ⁽³⁾	kW	19,7	25,4	30,4	39,9	44,1	52,4	57,5	63,4	80,5	92,9	100,5	117,4	129,5
Total input power (EN14511) ⁽³⁾	kW	7,0	9,3	10,9	14,9	16,2	18,3	21,3	24,0	26,6	31,2	35,2	38,6	44,1
EER (EN14511) ⁽³⁾	W/W	2,83	2,73	2,78	2,67	2,72	2,87	2,70	2,65	3,03	2,98	2,86	3,04	2,94
TER (EN14511) ⁽⁴⁾	W/W	9,44	9,43	9,56	9,54	10,41	10,48	10,42	10,43	9,84	9,70	9,46	9,91	9,87
Sound power ⁽⁵⁾	dB (A)	64	65	67	69	72	72	72	73	74	76	78	79	80
Sound pressure ⁽⁶⁾	dB (A)	32	33	35	37	40	40	40	41	42	44	46	47	48
Power supply	V/Ph/Hz	400/3+N/50	400/3+N/50	400/3/50	400/3/50	400/3/50	400/3/50	400/3/50	400/3/50	400/3/50	400/3/50	400/3/50	400/3/50	400/3/50
Compressors / Circuits	n° / n°	2 / 1	2 / 1	2 / 1	2 / 1	2 / 1	2 / 1	2 / 1	2 / 1	2 / 1	2 / 1	2 / 1	2 / 1	2 / 1
Fans	n°	2	2	2	2	2	2	2	2	2	2	2	3	3
Refrigerant		R410A	R410A	R410A	R410A	R410A	R410A	R410A	R410A	R410A	R410A	R410A	R410A	R410A
Refrigerant charge	kg	10,0	10,0	10,0	10,0	14,5	19,0	19,0	19,0	27,0	27,0	27,0	36,0	36,0
Global warming potential (GWP)		2088	2088	2088	2088	2088	2088	2088	2088	2088	2088	2088	2088	2088
Equivalent CO ₂ charge	t	20,88	20,88	20,88	20,88	30,28	39,67	39,67	39,67	56,38	56,38	56,38	75,17	75,17
Water tank volume	l	100	100	100	100	100	300	300	300	300	300	300	500	500
HA/XL/RV - P4S		1802	2002	2302	2502	2504	3004	3204	3504	4004	4504	5004 *		
Heating capacity (EN14511) ⁽¹⁾	kW	162,5	176,9	204,1	232,2	221,2	265,0	287,3	317,0	349,0	389,3	439,8		
Total input power (EN14511) ⁽¹⁾	kW	39,3	43,9	48,1	53,8	54,0	62,6	69,7	78,3	85,5	97,8	109,1		
COP (EN14511) ⁽¹⁾	W/W	4,13	4,03	4,24	4,32	4,10	4,23	4,12	4,05	4,08	3,98	4,03		
Energy Class ⁽²⁾		A++	A+	A++	A++	A+	A+	A+	A+	A++	A++	A+		
SCOP ⁽²⁾	kWh/kWh	3,86	3,76	4,00	3,98	3,74	3,79	3,78	3,82	3,88	3,83	3,81		
η _{s,h} ⁽²⁾	%	151,3	147,3	156,8	156,3	146,5	148,6	148,2	149,8	152,0	150,3	149,2		
Cooling capacity (EN14511) ⁽³⁾	kW	139,3	152,2	174,1	187,4	190,3	223,6	245,3	275,7	306,0	353,1	381,9		
Total input power (EN14511) ⁽³⁾	kW	52,0	59,7	67,0	78,1	73,8	80,1	91,5	106,4	120,5	135,8	155,9		
EER (EN14511) ⁽³⁾	W/W	2,68	2,55	2,60	2,40	2,58	2,79	2,68	2,59	2,54	2,60	2,45		
TER (EN14511) ⁽⁴⁾	W/W	9,99	9,90	9,79	9,74	9,27	9,18	9,60	9,68	9,71	9,62	9,50		
Sound power ⁽⁵⁾	dB (A)	81	81	83	84	81	83	84	84	84	86	87		
Sound pressure ⁽⁶⁾	dB (A)	49	49	51	52	49	51	52	52	52	54	55		
HE/XL/RV - P4S		1802	2002	2302	2502	2504	3004	3204	3504	4004	4504	5004 *		
Heating capacity (EN14511) ⁽¹⁾	kW	162,2	175,5	202,8	230,8	220,5	264,9	287,2	317,0	348,5	407,2	441,7		
Total input power (EN14511) ⁽¹⁾	kW	38,6	43,4	47,6	52,9	53,0	60,9	68,2	77,1	84,6	97,2	108,0		
COP (EN14511) ⁽¹⁾	W/W	4,20	4,04	4,26	4,36	4,16	4,35	4,21	4,11	4,12	4,19	4,09		
Energy Class ⁽²⁾		A++	A++	A++	A++	A++	A++	A++	A++	A++	A++	A++		
SCOP ⁽²⁾	kWh/kWh	4,01	3,85	4,10	4,06	3,84	3,97	3,92	3,96	3,97	3,97	3,91		
η _{s,h} ⁽²⁾	%	157,4	151,1	161,0	159,3	150,4	155,9	153,8	155,5	155,9	155,8	153,5		
Cooling capacity (EN14511) ⁽³⁾	kW	151,2	159,2	180,4	202,1	198,5	237,9	267,5	289,4	322,6	368,5	406,9		
Total input power (EN14511) ⁽³⁾	kW	50,8	58,8	66,2	73,3	72,7	80,5	89,2	105,2	118,2	135,0	151,3		
EER (EN14511) ⁽³⁾	W/W	2,98	2,71	2,73	2,76	2,73	2,96	3,00	2,75	2,73	2,73	2,69		
TER (EN14511) ⁽⁴⁾	W/W	10,06	9,90	9,79	9,74	9,27	9,12	9,63	9,68	9,71	9,62	9,50		
Sound power ⁽⁵⁾	dB (A)	81	81	83	84	81	82	83	84	84	86	87		
Sound pressure ⁽⁶⁾	dB (A)	49	49	51	52	49	50	51	52	52	54	55		
Power supply	V/Ph/Hz	400/3/50	400/3/50	400/3/50	400/3/50	400/3/50	400/3/50	400/3/50	400/3/50	400/3/50	400/3/50	400/3/50		
Compressors / Circuits	n° / n°	2 / 1	2 / 1	2 / 1	2 / 1	4 / 2	4 / 2	4 / 2	4 / 2	4 / 2	4 / 2	4 / 2		
Fans	n°	3	3	3	3	4	6	6	6	6	8	8		
Refrigerant		R410A	R410A	R410A	R410A	R410A	R410A	R410A	R410A	R410A	R410A	R410A		
Refrigerant charge	kg	36,0	45,0	45,0	60,0	60,0	72,0	72,0	72,0	90,0	90,0	100,0		
Global warming potential (GWP)		2088	2088	2088	2088	2088	2088	2088	2088	2088	2088	2088		
Equivalent CO ₂ charge	t	75,17	93,96	93,96	125,28	125,28	150,34	150,34	150,34	187,92	187,92	208,80		
Water tank volume	l	500	500	500	500	1000	1000	1000	1000	1000	1000	1000		

Performances are referred to the following conditions:

(1) Heating: Ambient temperature 7°C DB, 6°C WB, water temperature 30/35°C.

(2) Average conditions, low temperature, variable - Reg EU 811/2013

(3) Cooling: ambient air temperature 35°C, evaporator water temperature in/out 12/7 °C..

(4) TER: Total Energy Ratio - cold circuit 12/7°C, hot circuit 30/35°C.

(5) Sound power level in accordance with ISO 3744.

(6) Sound pressure level at 10 mt from the unit in free field conditions in accordance with ISO 3744.

* Units only available for the non-EU market



The refrigerant data may change without notice. It is therefore necessary to refer always to the silver label placed on the unit.

LHA P4U/P4S High efficiency air to water heat pumps

HA/XL/RV - P4U		252	302	412	432	492	602	702	802	902	1002	1202	1402	1602
Heating capacity (EN14511) ⁽¹⁾	kW	23,9	30,7	36,8	46,2	49,4	62,2	67,9	72,8	94,9	104,9	114,8	139,7	152,4
Total input power (EN14511) ⁽¹⁾	kW	5,8	7,4	8,8	11,2	11,7	13,5	15,2	16,8	21,0	24,1	27,2	30,7	34,0
COP (EN14511) ⁽¹⁾	W/W	4,15	4,14	4,20	4,12	4,21	4,62	4,47	4,35	4,52	4,36	4,22	4,55	4,49
Energy Class ⁽²⁾		A+	A+	A+	A+	A+	A++	A++	A++	A++	A++	A+	A++	A++
SCOP ⁽²⁾	kWh/kWh	3,45	3,65	3,68	3,65	3,77	4,11	4,06	3,99	3,96	3,94	3,80	4,03	4,00
η _{s,h} ⁽²⁾	%	134,9	142,8	144,0	143,0	147,9	161,5	159,4	156,7	155,2	154,7	148,8	158,2	157,1
Cooling capacity (EN14511) ⁽³⁾	kW	19,5	24,7	29,7	38,9	42,8	50,4	55,7	60,3	78,1	86,4	94,1	114,3	124,4
Total input power (EN14511) ⁽³⁾	kW	7,2	9,7	11,2	15,4	16,7	19,1	22,0	25,1	26,7	31,5	36,8	39,0	44,4
EER (EN14511) ⁽³⁾	W/W	2,72	2,55	2,65	2,54	2,57	2,64	2,53	2,40	2,93	2,74	2,56	2,93	2,80
TER (EN14511) ⁽⁴⁾	W/W	9,44	9,43	9,56	9,54	10,41	10,48	10,42	10,43	9,84	9,63	9,46	9,91	9,87
Sound power ⁽⁵⁾	dB (A)	70	70	70	70	72	72	72	73	75	76	78	80	81
Sound pressure ⁽⁶⁾	dB (A)	38	38	38	38	40	40	40	41	43	44	46	48	49
HE/XL/RV - P4U		252	302	412	432	492	602	702	802	902	1002	1202	1402	1602
Heating capacity (EN14511) ⁽¹⁾	kW	23,9	30,7	36,9	46,3	49,7	62,0	67,9	72,8	94,7	104,6	113,8	139,4	151,8
Total input power (EN14511) ⁽¹⁾	kW	5,5	7,1	8,5	11,1	11,4	13,2	14,9	16,5	20,4	23,6	26,8	29,8	33,2
COP (EN14511) ⁽¹⁾	W/W	4,39	4,29	4,34	4,16	4,35	4,71	4,55	4,40	4,64	4,44	4,25	4,68	4,58
Energy Class ⁽²⁾		A+	A++	A++	A++	A++	A++	A++	A++	A++	A++	A++	A++	A++
SCOP ⁽²⁾	kWh/kWh	3,96	3,93	3,92	3,91	3,98	4,26	4,19	4,10	4,08	4,10	3,92	4,22	4,15
η _{s,h} ⁽²⁾	%	155,2	154,3	153,8	153,2	156,2	167,5	164,4	161,1	160,1	160,9	153,7	165,8	163,0
Cooling capacity (EN14511) ⁽³⁾	kW	19,7	25,4	30,4	39,9	44,1	52,4	57,5	63,4	80,5	92,9	100,5	117,4	129,5
Total input power (EN14511) ⁽³⁾	kW	7,0	9,3	10,9	14,9	16,2	18,3	21,3	24,0	26,6	31,2	35,2	38,6	44,1
EER (EN14511) ⁽³⁾	W/W	2,83	2,73	2,78	2,67	2,72	2,87	2,70	2,65	3,03	2,98	2,86	3,04	2,94
TER (EN14511) ⁽⁴⁾	W/W	9,44	9,43	9,56	9,54	10,41	10,48	10,42	10,43	9,84	9,70	9,46	9,91	9,87
Sound power ⁽⁵⁾	dB (A)	64	65	67	69	72	72	72	73	74	76	78	79	80
Sound pressure ⁽⁶⁾	dB (A)	32	33	35	37	40	40	40	41	42	44	46	47	48
Power supply	V/Ph/Hz	400/3+N/50	400/3+N/50	400/3/50	400/3/50	400/3/50	400/3/50	400/3/50	400/3/50	400/3/50	400/3/50	400/3/50	400/3/50	400/3/50
Compressors / Circuits	n° / n°	2 / 1	2 / 1	2 / 1	2 / 1	2 / 1	2 / 1	2 / 1	2 / 1	2 / 1	2 / 1	2 / 1	2 / 1	2 / 1
Fans	n°	2	2	2	2	2	2	2	2	2	2	2	3	3
Refrigerant		R410A	R410A	R410A	R410A	R410A	R410A	R410A	R410A	R410A	R410A	R410A	R410A	R410A
Refrigerant charge	kg	10,0	10,0	10,0	10,0	14,5	19,0	19,0	19,0	27,0	27,0	27,0	36,0	36,0
Global warming potential (GWP)		2088	2088	2088	2088	2088	2088	2088	2088	2088	2088	2088	2088	2088
Equivalent CO ₂ charge	t	20,88	20,88	20,88	20,88	30,28	39,67	39,67	39,67	56,38	56,38	56,38	75,17	75,17
Water tank volume	l	100	100	100	100	100	300	300	300	300	300	300	500	500
HA/XL/RV - P4U		1802	2002	2302	2502	2504	3004	3204	3504	4004	4504	5004 *		
Heating capacity (EN14511) ⁽¹⁾	kW	168,7	183,3	209,6	238,5	228,9	272,9	296,0	327,2	361,2	402,2	452,6		
Total input power (EN14511) ⁽¹⁾	kW	38,3	43,0	48,3	53,8	55,1	64,0	69,8	78,5	86,9	99,7	111,0		
COP (EN14511) ⁽¹⁾	W/W	4,40	4,27	4,34	4,43	4,16	4,26	4,24	4,17	4,16	4,03	4,08		
Energy Class ⁽²⁾		A++	A++	A++	A++	A+	A+	A++	A++	A++	A++	A++		
SCOP ⁽²⁾	kWh/kWh	4,02	3,94	4,08	4,10	3,76	3,80	3,90	3,92	3,89	3,85	3,85		
η _{s,h} ⁽²⁾	%	157,9	154,4	160,0	160,9	147,2	149,1	152,9	153,6	152,4	151,1	150,8		
Cooling capacity (EN14511) ⁽³⁾	kW	139,3	152,2	174,1	187,4	190,3	223,6	245,3	275,7	306,0	353,1	381,9		
Total input power (EN14511) ⁽³⁾	kW	52,0	59,7	67,0	78,1	73,8	80,1	91,5	106,4	120,5	135,8	155,9		
EER (EN14511) ⁽³⁾	W/W	2,68	2,55	2,60	2,40	2,58	2,79	2,68	2,59	2,54	2,60	2,45		
TER (EN14511) ⁽⁴⁾	W/W	9,99	9,90	9,79	9,74	9,27	9,18	9,60	9,68	9,71	9,62	9,50		
Sound power ⁽⁵⁾	dB (A)	81	81	83	84	81	83	84	84	84	86	87		
Sound pressure ⁽⁶⁾	dB (A)	49	49	51	52	49	51	52	52	52	54	55		
Power supply	V/Ph/Hz	400/3/50	400/3/50	400/3/50	400/3/50	400/3/50	400/3/50	400/3/50	400/3/50	400/3/50	400/3/50	400/3/50	400/3/50	400/3/50
Compressors / Circuits	n° / n°	2 / 1	2 / 1	2 / 1	2 / 1	4 / 2	4 / 2	4 / 2	4 / 2	4 / 2	4 / 2	4 / 2	4 / 2	4 / 2
Fans	n°	3	3	3	3	4	6	6	6	6	8	8		
Refrigerant		R410A	R410A	R410A	R410A	R410A	R410A	R410A	R410A	R410A	R410A	R410A		
Refrigerant charge	kg	36,0	45,0	45,0	60,0	60,0	72,0	72,0	72,0	90,0	90,0	100,0		
Global warming potential (GWP)		2088	2088	2088	2088	2088	2088	2088	2088	2088	2088	2088		
Equivalent CO ₂ charge	t	75,17	93,96	93,96	125,28	125,28	150,34	150,34	150,34	187,92	187,92	208,80		
Water tank volume	l	500	500	500	500	1000	1000	1000	1000	1000	1000	1000		

Performances are referred to the following conditions:

(1) Heating: Ambient temperature 7°C DB, 6°C WB, water temperature 30/35°C.

(2) Average conditions, low temperature, variable - Reg EU 811/2013

(3) Cooling: ambient air temperature 35°C, evaporator water temperature in/out 12/7 °C.

(4) TER: Total Energy Ratio - cold circuit 12/7°C, hot circuit 30/35°C.

(5) Sound power level in accordance with ISO 3744.

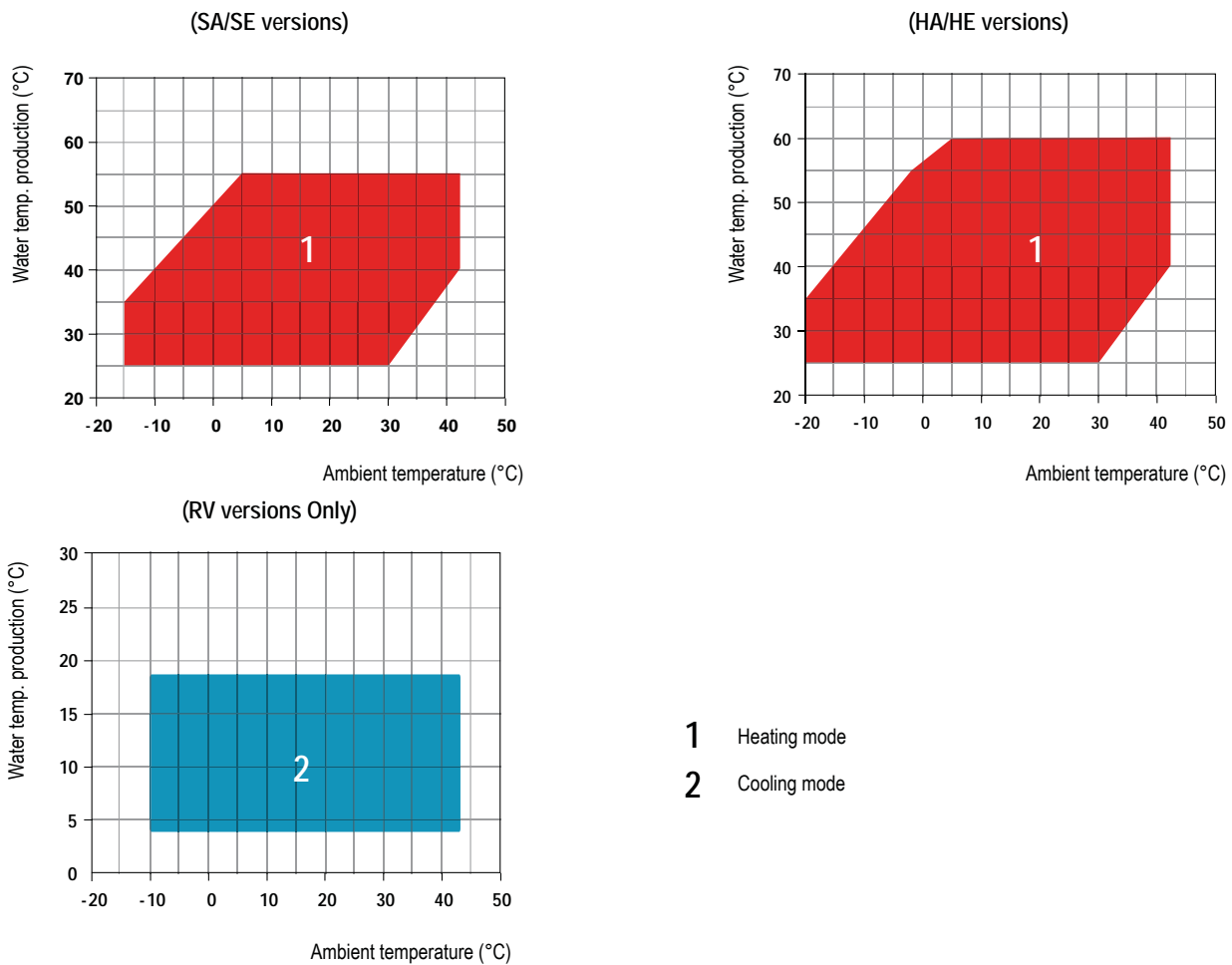
(6) Sound pressure level at 10 mt from the unit in free field conditions in accordance with ISO 3744.

* Units only available for the non-EU market



The refrigerant data may change without notice. It is therefore necessary to refer always to the silver label placed on the unit.

3.5 Operation limits



3.5.1 User heat exchanger water flow rate

The nominal water flow rate given is referred to a Δt of 5 °C. Maximum flow rate allowed is the one that presents a Δt of 3°C: higher values may cause too high pressure drop.

The minimum water flow rate allowed is the one presenting a Δt of 8°C.

Insufficient values cause too low evaporating temperatures with the action of safety devices which would stop the unit.

3.5.2 User hot water temperature (Winter operation)

Once the system is on temperature, the minimum user water temperature should not be less than 30°C.

Lower values could cause incorrect working operation of the compressor and compressor failure may occur.

The maximum user outlet water temperature cannot exceed 55°C for SA/SE versions and 60°C for HA/HE versions. Higher values may call the action of safety devices which would stop the unit.

3.5.3 Cold water temperature (RV versions Only)

The minimum user outlet water temperature allowed is 4°C.

To operates below this limit the unit should need some structural modifications. In this case please contact our company. The maximum user outlet water temperature 18°C.

3.5.4 Ambient air temperature

The units are designed and manufactured to operate, In winter operation (heating mode) from -20°C to 43°C.

In cooling mode the units can operate with ambient air temperatures from -10 to 43°C.



If the unit is installed in particularly windy areas, it will be necessary to provide some windbreaker barriers to avoid any malfunction. We suggest to install the barriers only if the wind exceeds 2,5m/s.



The units, in their standard configuration, are not suitable for installation in saline environments.



In WINTER mode, the unit can be started with external air of -20°C and cold inlet water (about 20°C). Such a configuration is allowed only for a short time and only to bring the plant to the right temperature. To reduce this setting time, we suggest to install a 3-way valve which allows to by-pass water from the user to the plant till the standard conditions are reached.



Units are designed and manufactured to European safety and technical standards. The units have been designed exclusively for heating, cooling and domestic hot water production (D.H.W.). The units must be used for this specific purpose only. The Company will not be liable for claims for damage caused to persons, animals or material goods or property caused by improper installation, adjustment and maintenance or improper use. Any use not specified in this manual is prohibited.



All units are supplied as standard with evaporating/condensing pressure control. This feature allows the unit to operate in heating mode above 15°C and in cooling mode below 20°C ambient temperature. The device monitors the evaporating/condensing pressure and maintains it at a constant level by modulating the airflow. It can also be used to reduce noise emission when ambient temperatures are lower (eg. at night).



In case of operations outside of these values, please contact the company.

3.6 Domestic hot water production (only for P4S version)

The production of domestic hot water through heat pump is a sensitive issue that deserves proper consideration. There are several systems of domestic hot water production by using heat pumps, each of which brings advantages and disadvantages. It is not subject of this manual to deal with the matter in depth and in the case, please contact the company for all the appropriate solutions.



The "Domestic Hot Water Tank Management" kit is required to manage DHW production.

3.6.1 DHW tank management kit

The kit is used to control DHW production using the probe in the storage tank or to keep the DHW tank at a set point temperature.

The kit consists of:

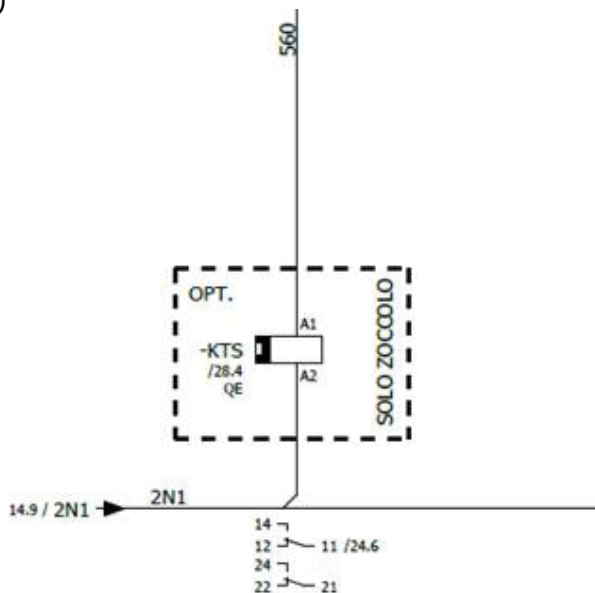
- an additional probe that has to be positioned in the DHW tank and must be connected to the dedicated terminals provided in the unit's electrical panel;
- a relay that must be connected to the base provided in the unit's electrical panel.

If the kit is present, the unit is programmed to activate DHW production using the temperature of the water in the tank. Thus, activation of the DHW circulation pumps will only be activated if DHW is being produced.

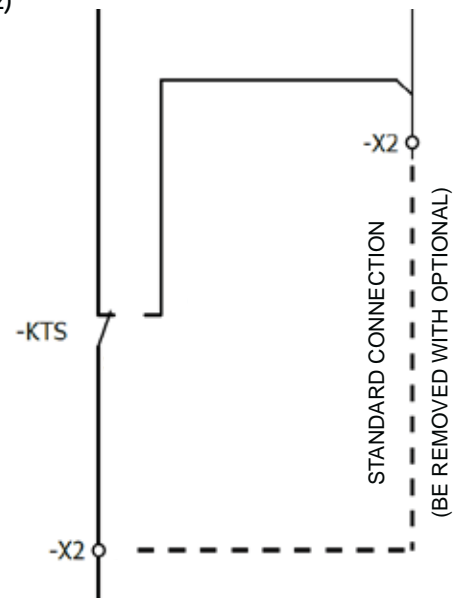


To enable the domestic water temperature control function by means of a probe positioned in the storage tank, just insert the relay received in the supplied kit into the socket already located and wired in the electrical board (1) and remove the jumper between the dedicated terminals (2). An extract of the wiring diagram is shown in the figure.

(1)



(2)



3.7 Compressor capacity steps

Modello	NUMBER OF COMPRESSORS			
	1	2	3	4
242/252	50%	50%
292/302	50%	50%
402	50%	50%
412	50%	50%
432	50%	50%
492	50%	50%
592	50%	50%
602	50%	50%
702	50%	50%
802	50%	50%
902	50%	50%
1002	43%	57%
1202	50%	50%
1402	45%	55%
1602	50%	50%
1802	45%	55%
2002	50%	50%
2302	43%	57%
2502	50%	50%
2504	25%	25%	25%	25%
3004	22%	28%	22%	28%
3204	25%	25%	25%	25%
3504	22%	28%	22%	28%
4004	25%	25%	25%	25%
4504	22%	28%	22%	28%
5004	25%	25%	25%	25%

3.8 Correction tables

3.8.1 Operation with glycol

Glycol percentage	Freezing point (°C)	CCF	IPCF	WFCF	PDCF
10	-3.2	0.985	1	1.02	1.08
20	-7.8	0.98	0.99	1.05	1.12
30	-14.1	0.97	0.98	1.09	1.22
40	-22.3	0.965	0.97	1.14	1.25
50	-33.8	0.955	0.965	1.2	1.33

CCF: Capacity correction factor

IPCF: Input power correction factor

WFCF: Water flow correction factor

PDCF: Pressure drops correction factor

The water flow rate and pressure drop correction factors are to be applied directly to the values given for operation without glycol. The water flow rate correction factor is calculated in order to maintain the same temperature difference as that which would be obtained without glycol. The pressure drop correction factor takes into account the different flow rate obtained from the application of the flow rate correction factor.

3.8.2 Correction tables different Δt

Water temperature diff.(°C)	3	5	8
CCCP	0.99	1	1.02
IPCF	0.99	1	1.01

CCCP = Cooling capacity correction factor

IPCF = Input power correction factor

3.8.3 Correction tables different Fouling factors

Fouling factor	0.00005	0.0001	0.0002
CCCP	1	0.98	0.94
IPCF	1	0.98	0.95

CCCP = Cooling capacity correction factor

IPCF = Input power correction factor

3.9 Sound data

SA / LS											
Mod.	Octave bands (Hz)								Lw		Lp
	63 dB	125 dB	250 dB	500 dB	1K dB	2K dB	4K dB	8K dB	dB	dB(A)	dB(A)
242/SA/LS	88,1	79,3	73,2	71,7	70,6	65,2	61,8	52,7	88,9	75	43
292/SA/LS	88,1	79,3	73,2	71,7	70,6	65,2	61,8	52,7	88,9	75	43
402/SA/LS	88,1	79,3	73,2	71,7	70,6	65,2	61,8	52,7	88,9	75	43
432/SA/LS	88,1	79,3	73,2	71,7	70,6	65,2	61,8	52,7	88,9	75	43
492/SA/LS	90,1	81,3	75,2	73,7	72,6	67,2	63,8	54,7	90,9	77	45
592/SA/LS	90,1	81,3	75,2	73,7	72,6	67,2	63,8	54,7	90,9	77	45
702/SA/LS	90,1	81,3	75,2	73,7	72,6	67,2	63,8	54,7	90,9	77	45
802/SA/LS	91,1	82,3	76,2	74,7	73,6	68,2	64,8	55,7	91,9	78	46
902/SA/LS	92,1	83,3	77,2	75,7	74,6	69,2	65,8	56,7	92,9	79	47
1002/SA/LS	95,1	86,3	80,2	78,7	77,6	72,2	68,8	59,7	95,9	82	50
1202/SA/LS	96,1	87,3	81,2	79,7	78,6	73,2	69,8	60,7	96,9	83	51
1402/SA/LS	98,1	89,3	83,2	81,7	80,6	75,2	71,8	62,7	98,9	85	53
1602/SA/LS	99,1	90,3	84,2	82,7	81,6	76,2	72,8	63,7	99,9	86	54
1802/SA/LS	99,1	90,3	84,2	82,7	81,6	76,2	72,8	63,7	99,9	86	54
2002/SA/LS	99,1	90,3	84,2	82,7	81,6	76,2	72,8	63,7	99,9	86	54
2302/SA/LS	102,1	93,3	87,2	85,7	84,6	79,2	75,8	66,7	102,9	89	57
2502/SA/LS	103,1	94,3	88,2	86,7	85,6	80,2	76,8	67,7	103,9	90	58
2504/SA/LS	100,1	91,3	85,2	83,7	82,6	77,2	73,8	64,7	100,9	87	55
3004/SA/LS	102,1	93,3	87,2	85,7	84,6	79,2	75,8	66,7	102,9	89	57
3204/SA/LS	103,1	94,3	88,2	86,7	85,6	80,2	76,8	67,7	103,9	90	58
3504/SA/LS	103,1	94,3	88,2	86,7	85,6	80,2	76,8	67,7	103,9	90	58
4004/SA/LS	103,1	94,3	88,2	86,7	85,6	80,2	76,8	67,7	103,9	90	58
4504/SA/LS	105,1	96,3	90,2	88,7	87,6	82,2	78,8	69,7	105,9	92	60
5004/SA/LS	106,1	97,3	91,2	89,7	88,6	83,2	79,8	70,7	106,9	93	61

SE / LS											
242/SE/LS	87,1	78,3	72,2	70,7	69,6	64,2	60,8	51,7	87,9	74	42
292/SE/LS	87,1	78,3	72,2	70,7	69,6	64,2	60,8	51,7	87,9	74	42
402/SE/LS	88,1	79,3	73,2	71,7	70,6	65,2	61,8	52,7	88,9	75	43
432/SE/LS	88,1	79,3	73,2	71,7	70,6	65,2	61,8	52,7	88,9	75	43
492/SE/LS	90,1	81,3	75,2	73,7	72,6	67,2	63,8	54,7	90,9	77	45
592/SE/LS	90,1	81,3	75,2	73,7	72,6	67,2	63,8	54,7	90,9	77	45
702/SE/LS	90,1	81,3	75,2	73,7	72,6	67,2	63,8	54,7	90,9	77	45
802/SE/LS	91,1	82,3	76,2	74,7	73,6	68,2	64,8	55,7	91,9	78	46
902/SE/LS	92,1	83,3	77,2	75,7	74,6	69,2	65,8	56,7	92,9	79	47
1002/SE/LS	95,1	86,3	80,2	78,7	77,6	72,2	68,8	59,7	95,9	82	50
1202/SE/LS	96,1	87,3	81,2	79,7	78,6	73,2	69,8	60,7	96,9	83	51
1402/SE/LS	98,1	89,3	83,2	81,7	80,6	75,2	71,8	62,7	98,9	85	53
1602/SE/LS	99,1	90,3	84,2	82,7	81,6	76,2	72,8	63,7	99,9	86	54
1802/SE/LS	99,1	90,3	84,2	82,7	81,6	76,2	72,8	63,7	99,9	86	54
2002/SE/LS	99,1	90,3	84,2	82,7	81,6	76,2	72,8	63,7	99,9	86	54
2302/SE/LS	102,1	93,3	87,2	85,7	84,6	79,2	75,8	66,7	102,9	89	57
2502/SE/LS	103,1	94,3	88,2	86,7	85,6	80,2	76,8	67,7	103,9	90	58
2504/SE/LS	100,1	91,3	85,2	83,7	82,6	77,2	73,8	64,7	100,9	87	55
3004/SE/LS	102,1	93,3	87,2	85,7	84,6	79,2	75,8	66,7	102,9	89	57
3204/SE/LS	103,1	94,3	88,2	86,7	85,6	80,2	76,8	67,7	103,9	90	58
3504/SE/LS	103,1	94,3	88,2	86,7	85,6	80,2	76,8	67,7	103,9	90	58
4004/SE/LS	103,1	94,3	88,2	86,7	85,6	80,2	76,8	67,7	103,9	90	58
4504/SE/LS	105,1	96,3	90,2	88,7	87,6	82,2	78,8	69,7	105,9	92	60
5004/SE/LS	106,1	97,3	91,2	89,7	88,6	83,2	79,8	70,7	106,9	93	61

Lw: Sound power level according to ISO 3744.

Lp: Sound pressure level measured at 10 mt from the unit in free field conditions direction factor Q=2 according to ISO 3744.

HA / LS											
Mod.	Octave bands (Hz)								Lw		Lp
	63 dB	125 dB	250 dB	500 dB	1K dB	2K dB	4K dB	8K dB	dB	dB(A)	dB(A)
242/HA/LS	88,1	79,3	73,2	71,7	70,6	65,2	61,8	52,7	88,9	75	43
292/HA/LS	88,1	79,3	73,2	71,7	70,6	65,2	61,8	52,7	88,9	75	43
412/HA/LS	88,1	79,3	73,2	71,7	70,6	65,2	61,8	52,7	88,9	75	43
432/HA/LS	88,1	79,3	73,2	71,7	70,6	65,2	61,8	52,7	88,9	75	43
492/HA/LS	89,1	80,3	74,2	72,7	71,6	66,2	62,8	53,7	89,9	76	44
602/HA/LS	89,1	80,3	74,2	72,7	71,6	66,2	62,8	53,7	89,9	76	44
702/HA/LS	90,1	81,3	75,2	73,7	72,6	67,2	63,8	54,7	90,9	77	45
802/HA/LS	91,1	82,3	76,2	74,7	73,6	68,2	64,8	55,7	91,9	78	46
902/HA/LS	95,1	86,3	80,2	78,7	77,6	72,2	68,8	59,7	95,9	82	50
1002/HA/LS	96,1	87,3	81,2	79,7	78,6	73,2	69,8	60,7	96,9	83	51
1202/HA/LS	98,1	89,3	83,2	81,7	80,6	75,2	71,8	62,7	98,9	85	53
1402/HA/LS	99,1	90,3	84,2	82,7	81,6	76,2	72,8	63,7	99,9	86	54
1602/HA/LS	100,1	91,3	85,2	83,7	82,6	77,2	73,8	64,7	100,9	87	55
1802/HA/LS	100,1	91,3	85,2	83,7	82,6	77,2	73,8	64,7	100,9	87	55
2002/HA/LS	100,1	91,3	85,2	83,7	82,6	77,2	73,8	64,7	100,9	87	55
2302/HA/LS	102,1	93,3	87,2	85,7	84,6	79,2	75,8	66,7	102,9	89	57
2502/HA/LS	104,1	95,3	89,2	87,7	86,6	81,2	77,8	68,7	104,9	91	59
2504/HA/LS	101,1	92,3	86,2	84,7	83,6	78,2	74,8	65,7	101,9	88	56
3004/HA/LS	102,1	93,3	87,2	85,7	84,6	79,2	75,8	66,7	102,9	89	57
3204/HA/LS	103,1	94,3	88,2	86,7	85,6	80,2	76,8	67,7	103,9	90	58
3504/HA/LS	103,1	94,3	88,2	86,7	85,6	80,2	76,8	67,7	103,9	90	58
4004/HA/LS	103,1	94,3	88,2	86,7	85,6	80,2	76,8	67,7	103,9	90	58
4504/HA/LS	105,1	96,3	90,2	88,7	87,6	82,2	78,8	69,7	105,9	92	60
5004/HA/LS	105,1	96,3	90,2	88,7	87,6	82,2	78,8	69,7	105,9	92	60
HE / LS											
242/HE/LS	86,1	77,3	71,2	69,7	68,6	63,2	59,8	50,7	86,9	73	41
292/HE/LS	87,1	78,3	72,2	70,7	69,6	64,2	60,8	51,7	87,9	74	42
412/HE/LS	87,1	78,3	72,2	70,7	69,6	64,2	60,8	51,7	87,9	74	42
432/HE/LS	88,1	79,3	73,2	71,7	70,6	65,2	61,8	52,7	88,9	75	43
492/HE/LS	89,1	80,3	74,2	72,7	71,6	66,2	62,8	53,7	89,9	76	44
602/HE/LS	89,1	80,3	74,2	72,7	71,6	66,2	62,8	53,7	89,9	76	44
702/HE/LS	90,1	81,3	75,2	73,7	72,6	67,2	63,8	54,7	90,9	77	45
802/HE/LS	91,1	82,3	76,2	74,7	73,6	68,2	64,8	55,7	91,9	78	46
902/HE/LS	95,1	86,3	80,2	78,7	77,6	72,2	68,8	59,7	95,9	82	50
1002/HE/LS	96,1	87,3	81,2	79,7	78,6	73,2	69,8	60,7	96,9	83	51
1202/HE/LS	98,1	89,3	83,2	81,7	80,6	75,2	71,8	62,7	98,9	85	53
1402/HE/LS	99,1	90,3	84,2	82,7	81,6	76,2	72,8	63,7	99,9	86	54
1602/HE/LS	100,1	91,3	85,2	83,7	82,6	77,2	73,8	64,7	100,9	87	55
1802/HE/LS	100,1	91,3	85,2	83,7	82,6	77,2	73,8	64,7	100,9	87	55
2002/HE/LS	100,1	91,3	85,2	83,7	82,6	77,2	73,8	64,7	100,9	87	55
2302/HE/LS	102,1	93,3	87,2	85,7	84,6	79,2	75,8	66,7	102,9	89	57
2502/HE/LS	104,1	95,3	89,2	87,7	86,6	81,2	77,8	68,7	104,9	91	59
2504/HE/LS	101,1	92,3	86,2	84,7	83,6	78,2	74,8	65,7	101,9	88	56
3004/HE/LS	102,1	93,3	87,2	85,7	84,6	79,2	75,8	66,7	102,9	89	57
3204/HE/LS	103,1	94,3	88,2	86,7	85,6	80,2	76,8	67,7	103,9	90	58
3504/HE/LS	103,1	94,3	88,2	86,7	85,6	80,2	76,8	67,7	103,9	90	58
4004/HE/LS	103,1	94,3	88,2	86,7	85,6	80,2	76,8	67,7	103,9	90	58
4504/HE/LS	105,1	96,3	90,2	88,7	87,6	82,2	78,8	69,7	105,9	92	60
5004/HE/LS	105,1	96,3	90,2	88,7	87,6	82,2	78,8	69,7	105,9	92	60

Lw: Sound power level according to ISO 3744.

Lp: Sound pressure level measured at 10 mt from the unit in free field conditions direction factor Q=2 according to ISO 3744.

HA / XL											
Mod.	Octave bands (Hz)								Lw		Lp
	63 dB	125 dB	250 dB	500 dB	1K dB	2K dB	4K dB	8K dB	dB	dB(A)	dB(A)
252/HA/XL	83,1	74,3	68,2	66,7	65,6	60,2	56,8	47,7	83,9	70	38
302/HA/XL	83,1	74,3	68,2	66,7	65,6	60,2	56,8	47,7	83,9	70	38
412/HA/XL	83,1	74,3	68,2	66,7	65,6	60,2	56,8	47,7	83,9	70	38
432/HA/XL	83,1	74,3	68,2	66,7	65,6	60,2	56,8	47,7	83,9	70	38
492/HA/XL	85,1	76,3	70,2	68,7	67,6	62,2	58,8	49,7	85,9	72	40
602/HA/XL	85,1	76,3	70,2	68,7	67,6	62,2	58,8	49,7	85,9	72	40
702/HA/XL	85,1	76,3	70,2	68,7	67,6	62,2	58,8	49,7	85,9	72	40
802/HA/XL	86,1	77,3	71,2	69,7	68,6	63,2	59,8	50,7	86,9	73	41
902/HA/XL	88,1	79,3	73,2	71,7	70,6	65,2	61,8	52,7	88,9	75	43
1002/HA/XL	89,1	80,3	74,2	72,7	71,6	66,2	62,8	53,7	89,9	76	44
1202/HA/XL	91,1	82,3	76,2	74,7	73,6	68,2	64,8	55,7	91,9	78	46
1402/HA/XL	93,1	84,3	78,2	76,7	75,6	70,2	66,8	57,7	93,9	80	48
1602/HA/XL	94,1	85,3	79,2	77,7	76,6	71,2	67,8	58,7	94,9	81	49
1802/HA/XL	94,1	85,3	79,2	77,7	76,6	71,2	67,8	58,7	94,9	81	49
2002/HA/XL	94,1	85,3	79,2	77,7	76,6	71,2	67,8	58,7	94,9	81	49
2302/HA/XL	96,1	87,3	81,2	79,7	78,6	73,2	69,8	60,7	96,9	83	51
2502/HA/XL	97,1	88,3	82,2	80,7	79,6	74,2	70,8	61,7	97,9	84	52
2504/HA/XL	94,1	85,3	79,2	77,7	76,6	71,2	67,8	58,7	94,9	81	49
3004/HA/XL	96,1	87,3	81,2	79,7	78,6	73,2	69,8	60,7	96,9	83	51
3204/HA/XL	97,1	88,3	82,2	80,7	79,6	74,2	70,8	61,7	97,9	84	52
3504/HA/XL	97,1	88,3	82,2	80,7	79,6	74,2	70,8	61,7	97,9	84	52
4004/HA/XL	97,1	88,3	82,2	80,7	79,6	74,2	70,8	61,7	97,9	84	52
4504/HA/XL	99,1	90,3	84,2	82,7	81,6	76,2	72,8	63,7	99,9	86	54
5004/HA/XL	100,1	91,3	85,2	83,7	82,6	77,2	73,8	64,7	100,9	87	55
HE / XL											
252/HE/XL	77,1	68,3	62,2	60,7	59,6	54,2	50,8	41,7	77,9	64	32
302/HE/XL	78,1	69,3	63,2	61,7	60,6	55,2	51,8	42,7	78,9	65	33
412/HE/XL	80,1	71,3	65,2	63,7	62,6	57,2	53,8	44,7	80,9	67	35
432/HE/XL	82,1	73,3	67,2	65,7	64,6	59,2	55,8	46,7	82,9	69	37
492/HE/XL	85,1	76,3	70,2	68,7	67,6	62,2	58,8	49,7	85,9	72	40
602/HE/XL	85,1	76,3	70,2	68,7	67,6	62,2	58,8	49,7	85,9	72	40
702/HE/XL	85,1	76,3	70,2	68,7	67,6	62,2	58,8	49,7	85,9	72	40
802/HE/XL	86,1	77,3	71,2	69,7	68,6	63,2	59,8	50,7	86,9	73	41
902/HE/XL	87,1	78,3	72,2	70,7	69,6	64,2	60,8	51,7	87,9	74	42
1002/HE/XL	89,1	80,3	74,2	72,7	71,6	66,2	62,8	53,7	89,9	76	44
1202/HE/XL	91,1	82,3	76,2	74,7	73,6	68,2	64,8	55,7	91,9	78	46
1402/HE/XL	92,1	83,3	77,2	75,7	74,6	69,2	65,8	56,7	92,9	79	47
1602/HE/XL	93,1	84,3	78,2	76,7	75,6	70,2	66,8	57,7	93,9	80	48
1802/HE/XL	94,1	85,3	79,2	77,7	76,6	71,2	67,8	58,7	94,9	81	49
2002/HE/XL	94,1	85,3	79,2	77,7	76,6	71,2	67,8	58,7	94,9	81	49
2302/HE/XL	96,1	87,3	81,2	79,7	78,6	73,2	69,8	60,7	96,9	83	51
2502/HE/XL	97,1	88,3	82,2	80,7	79,6	74,2	70,8	61,7	97,9	84	52
2504/HE/XL	94,1	85,3	79,2	77,7	76,6	71,2	67,8	58,7	94,9	81	49
3004/HE/XL	95,1	86,3	80,2	78,7	77,6	72,2	68,8	59,7	95,9	82	50
3204/HE/XL	96,1	87,3	81,2	79,7	78,6	73,2	69,8	60,7	96,9	83	51
3504/HE/XL	97,1	88,3	82,2	80,7	79,6	74,2	70,8	61,7	97,9	84	52
4004/HE/XL	97,1	88,3	82,2	80,7	79,6	74,2	70,8	61,7	97,9	84	52
4504/HE/XL	99,1	90,3	84,2	82,7	81,6	76,2	72,8	63,7	99,9	86	54
5004/HE/XL	100,1	91,3	85,2	83,7	82,6	77,2	73,8	64,7	100,9	87	55

Lw: Sound power level according to ISO 3744.

Lp: Sound pressure level measured at 10 mt from the unit in free field conditions direction factor Q=2 according to ISO 3744.

4. INSTALLATION

4.1 General safety guidelines and use of symbols



Before undertaking any task the operator must be fully trained in the operation of the machines to be used and their controls. They must also have read and be fully conversant with all operating instructions.



All maintenance must be performed by TRAINED personnel and be in accordance with all national and local regulations.



The installation and maintenance of the unit must comply with the local regulations in force at the time of the installation.



Avoid contact and do not insert any objects into moving parts.

4.2 Health and safety Considerations



The workplace must be kept clean, tidy and free from objects that may prevent free movement. Appropriate lighting of the work place shall be provided to allow the operator to perform the required operations safely. Poor or too strong lighting can cause risks.



Ensure that work places are always adequately ventilated and that respirators are working, in good condition and comply fully with the requirements of the current regulations.

4.3 Personal protective equipment



When operating and maintaining the unit, use the following personal protective equipment listed below as required by law.



Protective footwear.



Eye protection.



Protective gloves.



Respiratory protection.



Hearing protection.

4.4 Inspection

When installing or servicing the unit, it is necessary to strictly follow the rules reported on this manual, to conform to all the specifications of the labels on the unit, and to take any possible precautions of the case. Not observing the rules reported on this manual can create dangerous situations. After receiving the unit, immediately check its integrity. The unit left the factory in perfect conditions; any eventual damage must be questioned to the carrier and recorded on the Delivery Note before it is signed. The company must be informed, within 8 days, of the extent of the damage. The Customer should prepare a written statement of any severe damage.

Before accepting the unit check:

- The unit did not suffer any damage during transport;
- The delivered goods are conforming to what shown in the delivery note.

In Case of Damage

- List the damage on the delivery note
- Inform the Company of the extent of the damage within 8 days of receipt of the goods. After this time any claim will not be considered.
- A full written report is required for cases of severe damage.

4.5 Storage

If it is necessary to store the unit, leave it packed in a closed place. If for any reason the machine has already been unpacked, follow these instructions to prevent damage, corrosion and/or deterioration:

- Make sure that all openings are properly closed or sealed;
- Never use steam or other cleaning agents to clean the unit that could damage it;
- Remove any keys needed to access the control panel and entrust them to the site manager.

4.5.1 Shipment

The shipment must be carried out by authorised carriers and the characteristics of the vehicle used must be such as to avoid damaging the machinery transported/to be transported, neither during loading and unloading nor during transport. If the roads to be driven are irregular, the vehicle must be fitted with special suspensions or internal walls in order not to damage the unit during the shipment.



The maximum ambient temperature for storage/shipment is +45°C and the minimum is -20°C.

4.6 Unpacking



Packaging could be dangerous for the operators.

It is advisable to leave packaged units during handling and remove it before the installation.

The packaging must be removed carefully to prevent any possible damage to the machine.

The materials constituting the packaging may be different in nature (wood, cardboard, nylon, etc.).



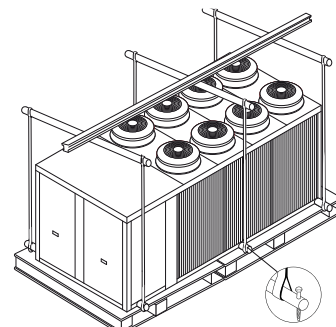
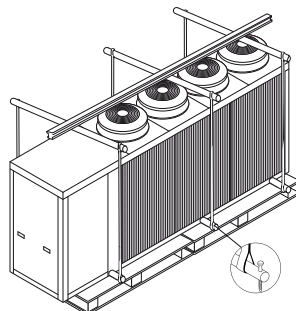
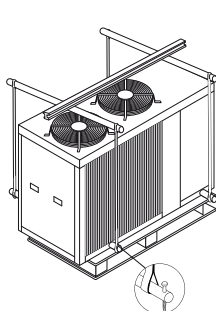
The packaging materials should be separated and sent for disposal or possible recycling to specialist waste companies.

4.7 Lifting and handling

When unloading the unit, it is strongly recommended that sudden movements are avoided in order to protect the refrigerant circuit, copper tubes or any other unit component. Units can be lifted by using a forklift or, alternatively, using belts. Take care that the method of lifting does not damage the side panels or the cover. It is important to keep the unit horizontal at all time to avoid damage to the internal components.



The Source heat exchangers fins are sharp. Use protection gloves.



4.8 Location and minimum technical clearances

All units are designed for external installation : any overhang above the unit and location near trees, if they partially cover the unit, must be avoided in order to prevent air by-pass. It is advisable to create a proper mounting plinth, with a size similar to the unit foot-print. Unit vibration level is very low: it is advisable however, to install vibration dampers (spring or rubber) between the plinth and the unit base-frame to keep vibrations at a very low level. It is vital to ensure adequate air volume to the source fan. Re-circulation of discharge air must be avoided; failure to observe this point will result in poor performance or activation of safety controls. For these reasons it is necessary to observe the following clearances:



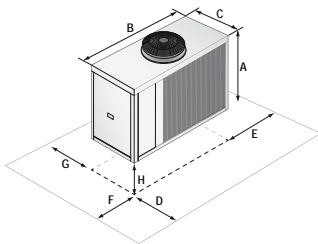
The unit has to be installed such that maintenance and repair is possible. The warranty does not cover costs for the provision of lifting apparatus, platforms or other lifting systems required to perform repairs during warranty period.



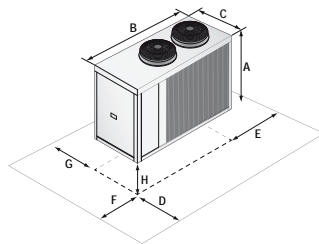
The installation site should be chosen in accordance with EN 378-1 and 378-3 standards. When choosing the installation site, all risks caused by accidental refrigerant leakage should be taken into consideration.



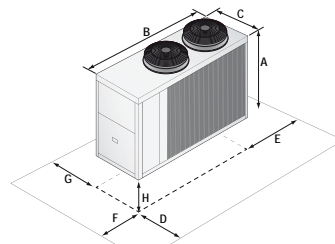
All air to water heat pumps, during defrost mode, produce condensate at the base of the source heat exchanger. If the ambient temperature is below 0°C the water may freeze, creating a thick layer of ice within the unit. This layer of ice, in specific conditions, may damage the heat exchanger and therefore, to guarantee correct operation of the units it is highly recommended to raise the unit of a minimum amount (H). This recommendation becomes more important if the unit is to be installed in a location that is subject to heavy snowfall.



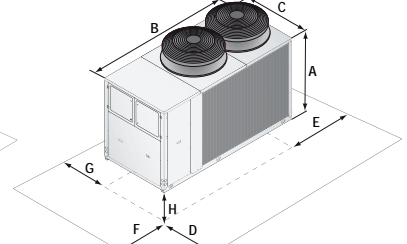
SA/SE 242 - 292
HA/HE-LS 242 - 292



SA/SE 402
HA/HE-XL 252 - 302



SA/SE 432 - 492 - 592
HA/HE-LS/XL 412 - 432 - 492



SA/SE 702 - 802 - 902
HA/HE-LS/XL 602 - 702 - 802 - 902 - 1002 - 1202

		242/252	292/302	402	412	432	492	592	602	702	802	902
A (mm)	SA-SE/LS	1500	1500	1500	--	1690	1690	1690	--	1880	1880	1880
B (mm)	SA-SE/LS	1915	1915	1915	--	2400	2400	2400	--	2905	2905	2905
C (mm)	SA-SE/LS	875	875	875	--	1150	1150	1150	--	1150	1150	1150
D (mm)	SA-SE/LS	1000	1000	1000	--	1500	1500	1500	--	2000	2000	2000
E (mm)	SA-SE/LS	800	800	800	--	1000	1000	1000	--	1000	1000	1000
F (mm)	SA-SE/LS	800	800	800	--	1000	1000	1000	--	1000	1000	1000
G (mm)	SA-SE/LS	800	800	800	--	1000	1000	1000	--	1000	1000	1000
H (mm)	SA-SE/LS	350	350	350	--	350	350	350	--	350	350	350
A (mm)	HA-HE/LS	1500	1500	--	1690	1690	1690	--	1880	1880	1880	1880
B (mm)	HA-HE/LS	1915	1915	--	2400	2400	2400	--	2905	2905	2905	2905
C (mm)	HA-HE/LS	875	875	--	1150	1150	1150	--	1150	1150	1150	1150
D (mm)	HA-HE/LS	1000	1000	--	1500	1500	1500	--	1500	2000	2000	2000
E (mm)	HA-HE/LS	800	800	--	1000	1000	1000	--	1000	1000	1000	1000
F (mm)	HA-HE/LS	800	800	--	1000	1000	1000	--	1000	1000	1000	1000
G (mm)	HA-HE/LS	800	800	--	1000	1000	1000	--	1000	1000	1000	2000
H (mm)	HA-HE/LS	350	350	--	350	350	350	--	350	350	350	350
A (mm)	HA-HE/XL	1500	1500	--	1690	1690	1690	--	1880	1880	1880	1880
B (mm)	HA-HE/XL	1915	1915	--	2400	2400	2400	--	2905	2905	2905	2905
C (mm)	HA-HE/XL	875	875	--	1150	1150	1150	--	1150	1150	1150	1150
D (mm)	HA-HE/XL	1000	1000	--	1500	1500	1500	--	1500	2000	2000	2000
E (mm)	HA-HE/XL	800	800	--	1000	1000	1000	--	1000	1000	1000	1000
F (mm)	HA-HE/XL	800	800	--	1000	1000	1000	--	1000	1000	1000	1000
G (mm)	HA-HE/XL	800	800	--	1000	1000	1000	--	1000	1000	1000	2000
H (mm)	HA-HE/XL	350	350	--	350	350	350	--	350	350	350	350



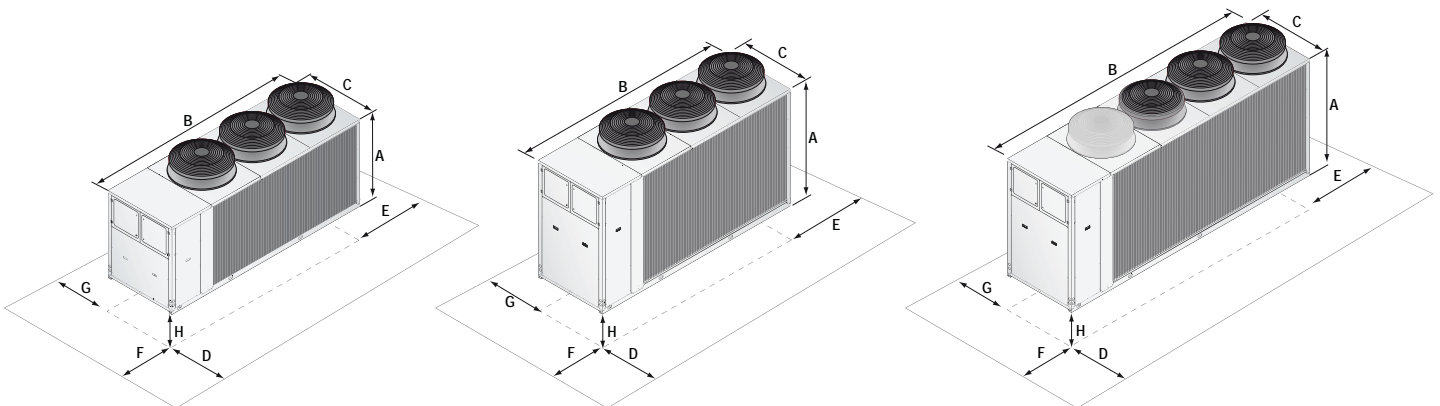
The unit has to be installed such that maintenance and repair is possible. The warranty does not cover costs for the provision of lifting apparatus, platforms or other lifting systems required to perform repairs during warranty period.



The installation site should be chosen in accordance with EN 378-1 and 378-3 standards. When choosing the installation site, all risks caused by accidental refrigerant leakage should be taken into consideration.



All air to water heat pumps, during defrost mode, produce condensate at the base of the source heat exchanger. If the ambient temperature is below 0°C the water may freeze, creating a thick layer of ice within the unit. This layer of ice, in specific conditions, may damage the heat exchanger and therefore, to guarantee correct operation of the units it is highly recommended to raise the unit of a minimum amount (H). This recommendation becomes more important if the unit is to be installed in a location that is subject to heavy snowfall.



SA/SE 1002 - 1202 - 1402 - 1602
HA/HE-LS/XL 1402 - 1602 - 1802 - 2002

SA/SE 1802 - 2002
HA/HE-LS/XL 2302 - 2502

SA/SE 2302 - 2502

		1002	1202	1402	1602	1802	2002	2302	2502
A (mm)	SA-SE/LS	1880	1880	1880	1880	2270	2270	2310	2310
B (mm)	SA-SE/LS	3905	3905	3905	3905	3905	3905	4505	4505
C (mm)	SA-SE/LS	1150	1150	1150	1150	1150	1150	1150	1150
D (mm)	SA-SE/LS	2000	2000	2000	2000	2000	2000	2000	2000
E (mm)	SA-SE/LS	1000	1000	1000	1000	1000	1000	1000	1000
F (mm)	SA-SE/LS	1000	1000	1000	1000	1500	1500	1500	1500
G (mm)	SA-SE/LS	1000	1000	1000	1000	1000	1000	2000	2000
H (mm)	SA-SE/LS	350	350	350	350	350	350	350	350
A (mm)	HA-HE/LS	1880	1880	1880	1880	1880	1880	2270	2270
B (mm)	HA-HE/LS	2905	2905	3905	3905	3905	3905	3905	3905
C (mm)	HA-HE/LS	1150	1150	1150	1150	1150	1150	1150	1150
D (mm)	HA-HE/LS	2000	2000	2000	2000	2000	2000	2000	2000
E (mm)	HA-HE/LS	1000	1000	1000	1000	1000	1000	1000	1000
F (mm)	HA-HE/LS	1000	1000	1000	1000	1500	1500	1500	1500
G (mm)	HA-HE/LS	2000	2000	2000	2000	2000	2000	2000	2000
H (mm)	HA-HE/LS	350	350	350	350	350	350	350	350
A (mm)	HA-HE/XL	1880	1880	1880	1880	1880	1880	2270	2270
B (mm)	HA-HE/XL	2905	2905	3905	3905	3905	3905	3905	3905
C (mm)	HA-HE/XL	1150	1150	1150	1150	1150	1150	1150	1150
D (mm)	HA-HE/XL	2000	2000	2000	2000	2000	2000	2000	2000
E (mm)	HA-HE/XL	1000	1000	1000	1000	1000	1000	1000	1000
F (mm)	HA-HE/XL	1000	1000	1000	1000	1500	1500	1500	1500
G (mm)	HA-HE/XL	2000	2000	2000	2000	2000	2000	2000	2000
H (mm)	HA-HE/XL	350	350	350	350	350	350	350	350



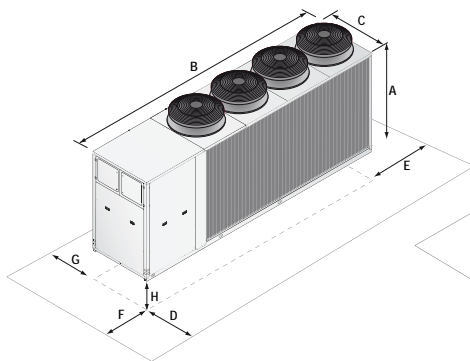
The unit has to be installed such that maintenance and repair is possible. The warranty does not cover costs for the provision of lifting apparatus, platforms or other lifting systems required to perform repairs during warranty period.



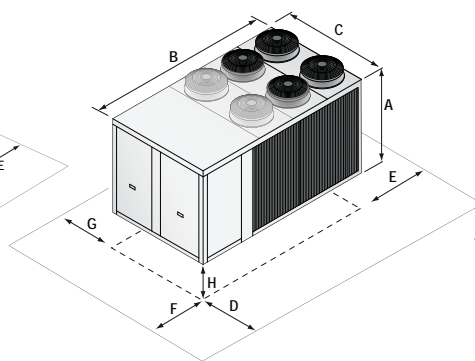
The installation site should be chosen in accordance with EN 378-1 and 378-3 standards. When choosing the installation site, all risks caused by accidental refrigerant leakage should be taken into consideration.



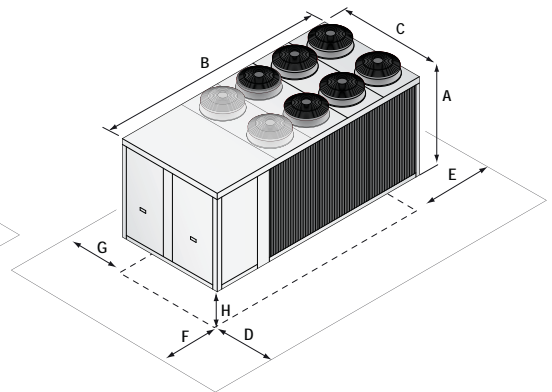
All air to water heat pumps, during defrost mode, produce condensate at the base of the source heat exchanger. If the ambient temperature is below 0°C the water may freeze, creating a thick layer of ice within the unit. This layer of ice, in specific conditions, may damage the heat exchanger and therefore, to guarantee correct operation of the units it is highly recommended to raise the unit a minimum amount (H). This recommendation becomes more important if the unit is to be installed in a location that is subject to heavy snowfall.



SA/SE 2504 - 3004 - 3204



SA/SE 3504 - 4004
HA/HE-LS/XL 2504 - 3004 - 3204 - 3504

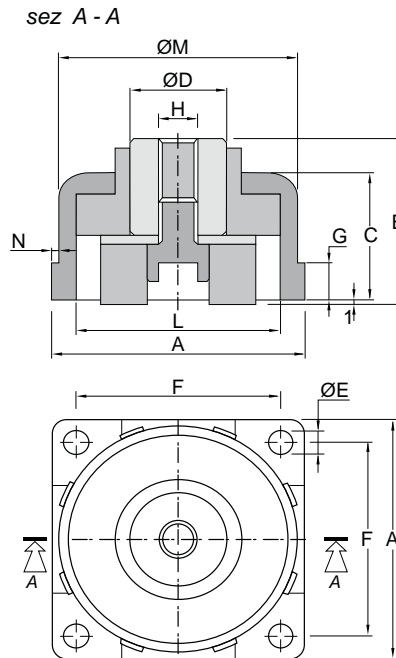


SA/SE 4504 - 5004
HA/HE-LS/XL 4004 - 4504 - 5004

		2504	3004	3204	3504	4004	4504	5004
A (mm)	SA-SE/LS	2310	2310	2310	2350	2350	2380	2380
B (mm)	SA-SE/LS	5300	5300	5300	4205	4205	4810	4810
C (mm)	SA-SE/LS	1150	1150	1150	2210	2210	2210	2210
D (mm)	SA-SE/LS	2000	2000	2000	2000	2000	2000	2000
E (mm)	SA-SE/LS	1000	1000	1000	1000	1000	1000	1000
F (mm)	SA-SE/LS	1500	1500	1500	1500	1500	1500	1500
G (mm)	SA-SE/LS	2000	2000	2000	2000	2000	2000	2000
H (mm)	SA-SE/LS	350	350	350	350	350	350	350
A (mm)	HA-HE/LS	2350	2350	2350	2350	2380	2380	2380
B (mm)	HA-HE/LS	4205	4205	4205	4205	4805	4810	4810
C (mm)	HA-HE/LS	2210	2210	2210	2210	2210	2210	2210
D (mm)	HA-HE/LS	2000	2000	2000	2000	2000	2000	2000
E (mm)	HA-HE/LS	1000	1000	1000	1000	1000	1000	1000
F (mm)	HA-HE/LS	1500	1500	1500	1500	1500	1500	1500
G (mm)	HA-HE/LS	2000	2000	2000	2000	2000	2000	2000
H (mm)	HA-HE/LS	350	350	350	350	350	350	350
A (mm)	HA-HE/XL	2350	2350	2350	2350	2380	2380	2380
B (mm)	HA-HE/XL	4205	4205	4205	4205	4805	4810	4810
C (mm)	HA-HE/XL	2210	2210	2210	2210	2210	2210	2210
D (mm)	HA-HE/XL	2000	2000	2000	2000	2000	2000	2000
E (mm)	HA-HE/XL	1000	1000	1000	1000	1000	1000	1000
F (mm)	HA-HE/XL	1500	1500	1500	1500	1500	1500	1500
G (mm)	HA-HE/XL	2000	2000	2000	2000	2000	2000	2000
H (mm)	HA-HE/XL	350	350	350	350	350	350	350

4.9 Installation of rubber vibration dampers (KAVG)

All units should be installed on vibration dampers in order to prevent the transmission of vibration to the supporting surface and reduce the noise level. Rubber vibration dampers are available as an option in the catalogue. The vibration dampers (optional) are supplied by the factory in separate packaging.



Mod.	A	B	C	D	E	F	G	H	L	M	N
LHA 242÷302	88 mm	52 mm	41 mm	25 mm	11 mm	67 mm	10 mm	M12	65 mm	74,5 mm	5,5 mm
LHA 402÷602	88 mm	52 mm	41 mm	25 mm	11 mm	67 mm	10 mm	M12	65 mm	74,5 mm	5,5 mm
LHA 702÷2002	88 mm	52 mm	41 mm	25 mm	11 mm	67 mm	10 mm	M12	65 mm	74,5 mm	5,5 mm
LHA 2302÷5004	145 mm	79 mm	65 mm	35 mm	12,5 mm	110 mm	12 mm	M16	118 mm	129 mm	8 mm

4.10 Serial interface card RS485 (INSE)

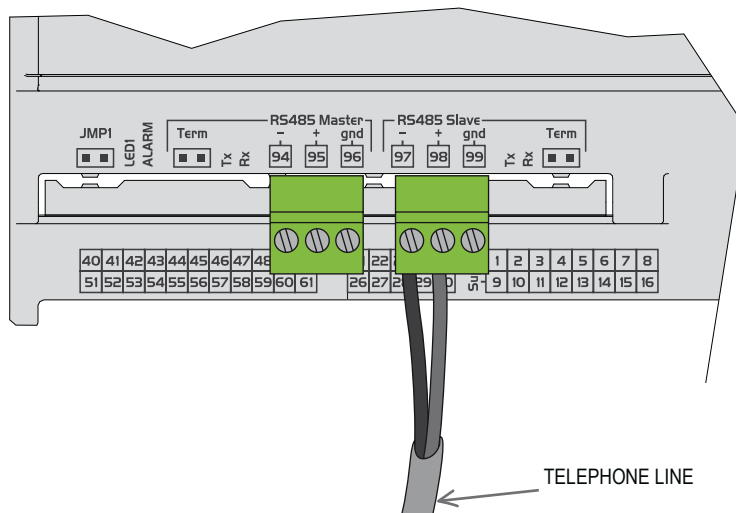
Supervision system interface (MODBUS RS485 available only)

This system allows you to remotely monitor all parameters of the unit and change their values.

It is necessary to respect the polarity of the wiring as shown in the diagram. Any reversal of polarity will result in the non-functioning unit.

The supervision connectivity cable must be telephone one type 2x0, 25 mm².

The unit is configured at the factory with serial address 1. In case of using the MODBUS system, you can request the list of variables by contacting the assistance.



4.11 Installation of condensate drip tray (BRCA)

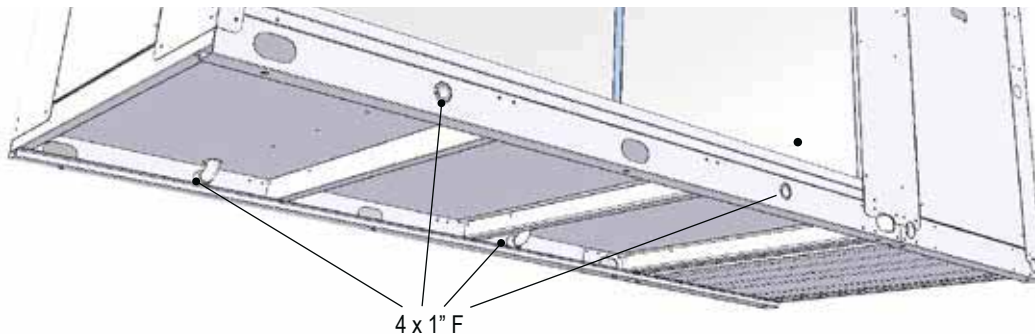


In heating and domestic hot water mode, the unit can produce a quantity of condensate, depending upon the ambient conditions and the working hours. This condensate may freeze in severe ambient conditions. The unit must therefore be installed in such a way as to prevent a slipping hazard to the user or third parties due to the presence of ice around the heat pump.

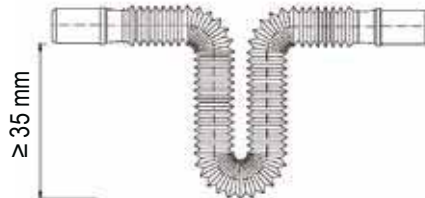


Installing the condensate drip tray on site may be difficult. We recommend that you request the BRCA accessory when ordering the unit so that it can be installed at the factory.

In all the units can be installed a drip tray that, positioned underneath the source heat exchanger (finned coil) and above the base frame, recovers all water generated by the unit when in heating and domestic hot water working mode. The drip tray is supplied with a self-heating antifreeze kit that melts the any ice present in the drip tray. The drip tray is supplied with a discharge connection that must be connected to a discharge pipe.



The condensate drain line should have a water trap which may have minimum flying height equal to the suction of the fan, in any case never less than 35 mm.



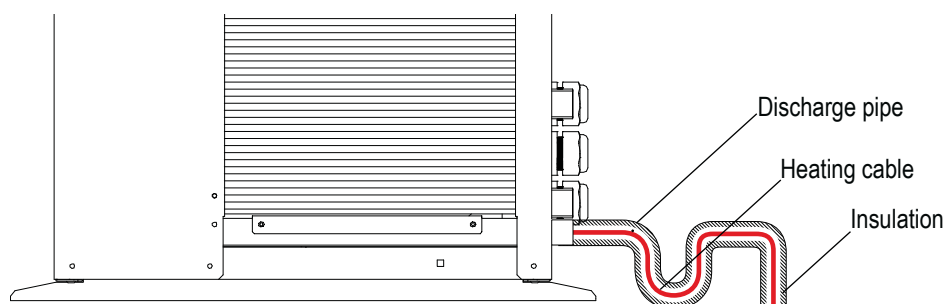
4.11.1 Installation of the heating cable



It is recommended that a heating cable be installed in the condensate drip tray discharge pipe to prevent freezing of the water inside the pipe itself, as this can lead to a malfunction of the unit.



The heating cable that is to be inserted in the discharge pipe must have a protection degree IP67 with a specific heating capacity of a minimum of 35W per linear metre. It is also recommended that the discharge pipe be insulated with closed cell type insulation having a minimum thickness of 15 mm.



4.12 Hydraulic connections

The water pipe-work must be installed in accordance with national and local regulation and can be made from copper, steel, galvanized steel or PVC. The Pipework must be designed to cater for the nominal water flow and the hydraulic pressure drops of the system, a maximum pressure drop of 300 Pa/m run being typical. All pipes must be insulated with closed-cell material of adequate thickness. The hydraulic piping should includes:

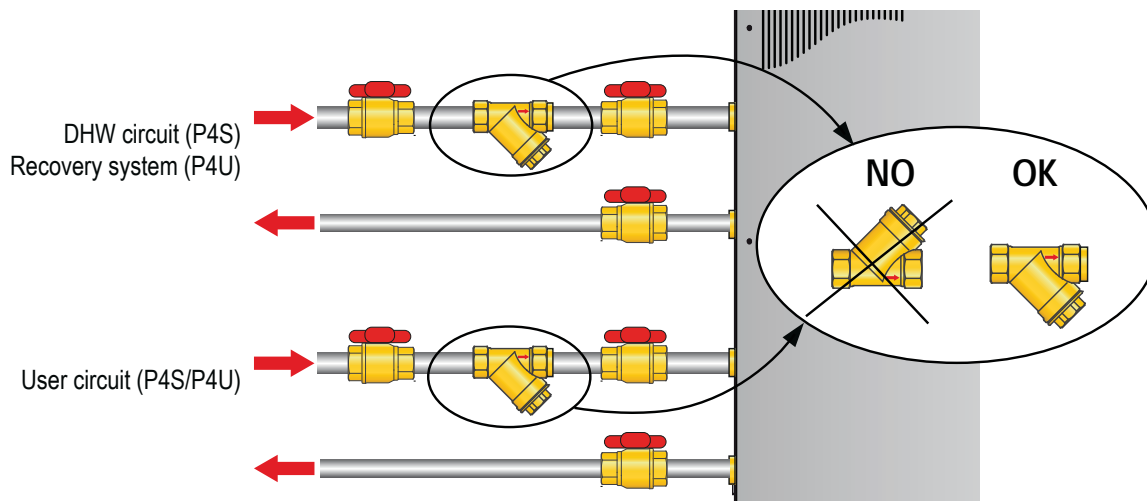
- Pockets for temperature sensor to measure the temperature in the system.
- Flexible joints, to isolate the unit from the rest of the system.
- Temperature and pressure gauges for maintenance and servicing operations.
- Shut-off manual valves to isolate the unit from the hydraulic circuit.
- Metallic filters to be mounted on the inlet pipe with a mesh not larger than 1 mm.
- Vent valves, expansion tank with water filling, discharge valve.



System return water must be fitted to the connection labelled: "USER WATER IN" as incorrect connection can damage the heat exchanger by freezing.



It is compulsory to install on the USER WATER IN connection, a water strainer with a mesh not larger than 1 mm. Fitting this filter is **COMPULSORY** and the warranty will be invalidated if it is removed. The filter must be kept clean and checked periodically.



All units are factory supplied with a flow switch; the flow switch **MUST BE FITTED** in the pipework connection labelled "USER WATER OUT". If the flow switch is altered, removed, or the water filter omitted on the unit, the warranty will be invalidated.



The water flow through the heat exchangers of the unit should not be fall below Δt 8°C measured at the following conditions:
 Heating mode: 7°C Dry bulb ambient temperature, 35°C water outlet temperature;
 Cooling mode: 35°C dry bulb ambient temperature, 7°C water outlet temperature.

4.13 Chemical characteristics of the water

The system is to be filled with clean water and vented after a full flushing operation has been performed; the water should have the following characteristics :

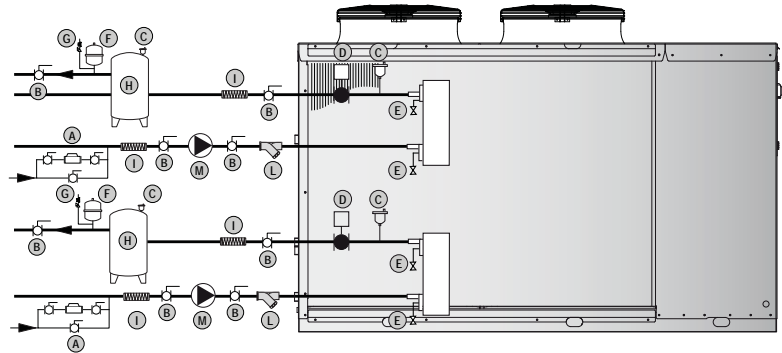
PH	6-8	Total Hardness	Lower Than 50 ppm
Electric conductivity	Lower Than 200 mV/ cm (25°C)	Sulphur ion	None
Chlorine ions	Lower Than 50 ppm	Ammonia ion	None
Sulphuric acid ions	Lower Than 50 ppm	Silicon ion	Lower Than 30 ppm
Total Iron	Lower Than 0,3 ppm		

4.14 Hydraulic components

4.14.1 P4S Versions P4U Versions

DHW circuit (P4S)
Recovery system (P4U)

User Circuit (P4S/P4U)

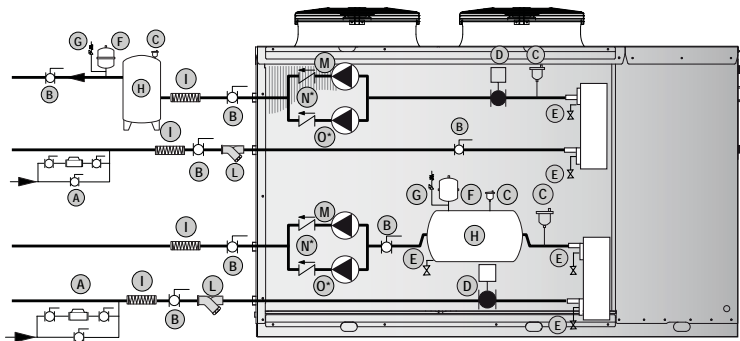


The water pump must be installed with the supply side toward the water inlet connection of the unit.

4.14.2 P4S Versions + A2NTR + A2ZZU P4U Versions + A2NTR + A2ZZU

DHW circuit (P4S)
Recovery system (P4U)

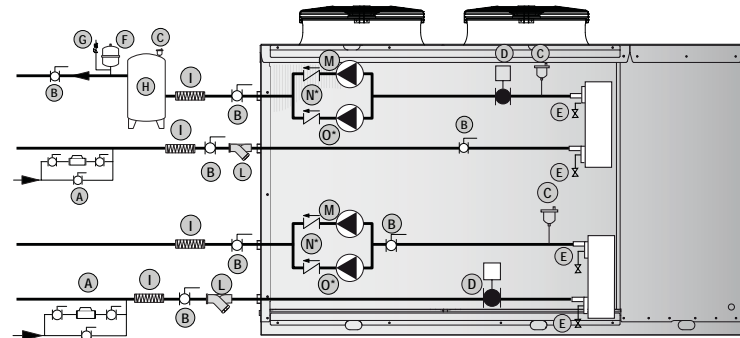
User circuit (P4S/P4U)



4.14.3 P4S Versions + A2NTR + A2NTU P4U Versions + A2NTR + A2NTU

DHW circuit (P4S)
Recovery system (P4U)

User circuit (P4S/P4U)



A	System Filling Group	H	User water tank
B	Shut-off Valve	I	Flexible Connection
C	Vent Valve	L	Water Strainer
D	Flow Switch	M	Water Pump
E	Drainage valve	N*	One way valve
F	Expansion Vessel	O*	Water Pump
G	Safety Valve		

Legend:

*Available for A2NTU – A2NTR – A2ZZU versions only; not available for A1NTU – A1NTR – A1ZZU)



Components shown inside the units are factory fitted.
Components shown outside of the units must be present in the system to guarantee the correct operation. The installation of those components is charged to the installer.

4.15 User circuit minimum water content



Heat pump units need a minimum water content inside the user circuit in order to guarantee the correct functioning of the unit. A correct water content reduces the n° of starts-and-stops of the compressors and this extends the operating life of the unit and allows a reduced reduction of the hot water temperature during the defrosting cycle. For these reason it's necessary to guarantee to the unit the following minimum water contents in the user circuit:
 Recommended water content : 15l/kW
 Recommended minimum water content : 20 lt. x Thermal power (kW) / Number of compressors.

Model	242	252	292	302	402	412	432	492	592	602	702	802	902	1002
Minimum water content winter mode (l)	240	240	340	340	400	400	480	560	650	650	750	820	1000	1120

Model	1202	1402	1602	1802	2002	2302	2502	2504	3004	3204	3504	4004	4504	5004
Minimum water content winter mode (l)	1240	1440	1600	1800	1920	2000	2200	1230	1400	1530	1700	1970	2240	2420

4.16 Minimum domestic hot water circuit content

The minimum domestic hot water circuit content required is:

Model	242	252	292	302	402	412	432	492	592	602	702	802	902	1002
Minimum water content hydraulic circuit (l)	240	240	340	340	400	400	480	560	650	650	750	820	1000	1120

Model	1202	1402	1602	1802	2002	2302	2502	2504	3004	3204	3504	4004	4504	5004
Minimum water content hydraulic circuit (l)	1240	1440	1600	1800	1920	2000	2200	1230	1400	1530	1700	1970	2240	2420



The minimum domestic hot water circuit content shown in the above table shows the minimum water content required by the system to guarantee the correct operation of the unit in terms of the acceptable number of starts of the compressors and the minimum allowed working time per cycle. **The above values do not guarantee the availability and temperature of domestic hot water;** the correct volume **MUST** be calculated based upon the domestic hot water system type and on the user requirements. Please contact the technical support team for information regarding this.

4.17 Filling the hydraulic circuit

- Before filling, check that the installation drain valve is closed.
- Open all pipework, heat pump and terminal unit air vents.
- Open the shut off valves.
- Begin filling, slowly opening the water valve in the filling group outside the unit.
- When water begins to leak out of the terminal air vent valves, close them and continue filling until the pressure gauge indicates a pressure of 1.5 bars.

The installation should be filled to a pressure of between 1 and 2 bars. It is recommended that this operation be repeated after the unit has been operating for a number of hours (due to the presence of air bubbles in the system). The pressure of the installation should be checked regularly and if it drops below 1 bar, the water content should be topped-up. If frequent top-ups are required, check all connections for leaks.

4.18 Emptying the installation

- Before emptying, place the mains switch in the "Off" position.
- Make sure the filling group valve is closed.
- Open the drainage valve outside the unit and all the installation and terminal air vent valves.



If the fluid in the circuit contains anti-freeze, it **MUST** not be allowed to run away to drain. It must be collected for possible re-cycling or for correct disposal.

4.20 Electric connections: preliminary safety information

The electric panel is located inside the unit at the top of the technical compartment where the various components of the refrigerant circuit are also to be found. To access the electrical board, remove the front panel of the unit:



Power connections must be made in accordance to the wiring diagram enclosed with the unit and in accordance to the norms in force.



Make sure the power supply upstream of the unit is (blocked with a switch). Check that the main switch handle is padlocked and it is applied on the handle a visible sign of warning not to operate.



It must be verified that electric supply is corresponding to the unit electric nominal data (tension, phases, frequency) reported on the label in the front panel of the unit.



Power cable and line protection must be sized according to the specification reported on the form of the wiring diagram enclosed with the unit.



The cable section must be commensurate with the calibration of the system-side protection and must take into account all the factors that may influence (temperature, type of insulation, length, etc.).



Power supply must respect the reported tolerances and limits: If those tolerances should not be respected, the warranty will be invalidated.



Flow switches must be connected following the indication reported in the wiring diagram. Never bridge flow switches connections in the terminal board. Guarantee will be invalidated if connections are altered or not properly made.



Make all connections to ground provided by law and legislation.



Before any service operation on the unit, be sure that the electric supply is disconnected.



The power line and the unit external safety devices must be sized in order to ensure the correct voltage at the maximum operating conditions of the unit reported in the wiring diagram of the unit.



FROST PROTECTION

If opened, the main switch cuts the power off to any electric heater and antifreeze device supplied with the unit, including the compressor crankcase heaters. The main switch should only be disconnected for cleaning, maintenance or unit repair.

4.21 Electric data



The electrical data reported below refer to the standard unit without accessories.
In all other cases refer to the data reported in the attached electrical wiring diagrams.



The line voltage fluctuations can not be more than $\pm 10\%$ of the nominal value, while the voltage unbalance between one phase and another can not exceed 1%, according to EN60204. If those tolerances should not be respected, please contact our Company.

Model		242/252	292/302	402/412	432	492	592	602	702	802
Power supply	V/~ /Hz	400/3+N/50	400/3+N/50	400/3+N/50	400/3/50	400/3/50	400/3/50	400/3/50	400/3/50	400/3/50
Control board	V/~ /Hz	24 V	24 V	24 V	24 V	24 V	24 V	24 V	24 V	24 V
Auxiliary circuit	V/~ /Hz	230/1/50	230/1/50	230/1/50	230/1/50	230/1/50	230/1/50	230/1/50	230/1/50	230/1/50
Fans power supply	V/~ /Hz	230/1/50	230/1/50	230/1/50	400/3/50	400/3/50	400/3/50	400/3/50	400/3/50	400/3/50
Line section	mm ²	10	16	16	16	25	25	25	35	35
PE section	mm ²	6	10	10	10	16	16	16	25	25

Model		902	1002	1202	1402	1602	1802	2002	2302	2502
Power supply	V/~ /Hz	400/3/50	400/3/50	400/3/50	400/3/50	400/3/50	400/3/50	400/3/50	400/3/50	400/3/50
Control board	V/~ /Hz	24 V	24 V	24 V	24 V	24 V	24 V	24 V	24 V	24 V
Auxiliary circuit	V/~ /Hz	230/1/50	230/1/50	230/1/50	230/1/50	230/1/50	230/1/50	230/1/50	230/1/50	230/1/50
Fans power supply	V/~ /Hz	400/3/50	400/3/50	400/3/50	400/3/50	400/3/50	400/3/50	400/3/50	400/3/50	400/3/50
Line section	mm ²	50	70	70	70	95	120	120	150	185
PE section	mm ²	25	35	35	35	50	70	70	70	90

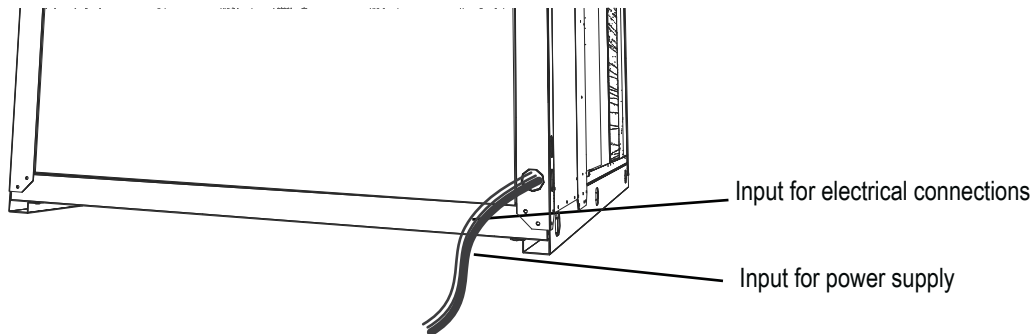
Model		2504	3004	3204	3504	4004	4504	5004
Power supply	V/~ /Hz	400/3/50	400/3/50	400/3/50	400/3/50	400/3/50	400/3/50	400/3/50
Control board	V/~ /Hz	24 V	24 V	24 V	24 V	24 V	24 V	24 V
Auxiliary circuit	V/~ /Hz	230/1/50	230/1/50	230/1/50	230/1/50	230/1/50	230/1/50	230/1/50
Fans power supply	V/~ /Hz	400/3/50	400/3/50	400/3/50	400/3/50	400/3/50	400/3/50	400/3/50
Line section	mm ²	185	185	185	240	240	2x150	2x240
PE section	mm ²	90	90	90	120	120	150	240



Electric data may change for updating without notice. It is therefore necessary to refer always to the wiring diagram present in the units.

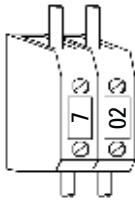
4.22 Electric connections

4.22.1 Power supply and electrical connections



4.22.2 Remote wiring connections (compulsory)

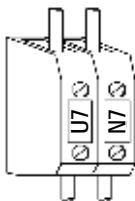
All terminals referred to in the explanations below will be found on the terminal board inside the electrical box. All electric connections mentioned below have to be made by the installer, on site.



USER CIRCUIT WATER INLET SENSOR (BTI)

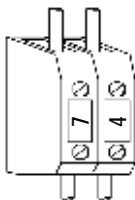
It is used to measure the return water temperature from the user circuit. The sensor is connected to terminals 7 and 02.

The standard working mode has the user pump switched off during stand-by periods (Compressors Off). The sensor must be placed in an appropriate position in order to measure the temperature of the secondary circuit. Incorrect positioning of the user water sensor can adversely affect the operation of the heat pump. The remote sensor is supplied loose with the unit (it is present inside the electric box) and it is supplied with a 3 mt. cable length. If this is too short, it is possible to increase the length by using cable of diameter 0.5 mm² up to a maximum distance of 50 meters.



USER CIRCUIT WATER PUMP

If the pump is factory supplied and fitted (A version) it will already be connected. In standard configuration, the unit microprocessor controller switches off the user water pump when the set point is reached or if the unit is in standby. This strategy is suitable if the unit is heating a buffer store from which a secondary circuit is taken and provides a substantial reduction of energy use.

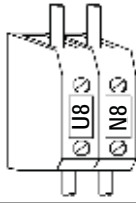


DOMESTIC HOT WATER SENSOR (BTS)

This is used to measure the return water temperature from the domestic hot water circuit. The sensor must be placed in the pocket provided in the DHW (Domestic hot water) cylinder, in an appropriate position, in order to measure the correct temperature of the domestic hot water. Incorrect positioning of the domestic hot water sensor can have an adverse effect on the operation of the heat pump. The sensor is supplied loose with the unit (it is placed inside the electric box) and it is supplied with a 3 mt. cable length. The sensor is connected to terminals 7 and 4. If this is too short, it is possible to increase the length by using cable of diameter 0.5 mm², up to a maximum distance of 50 meters.



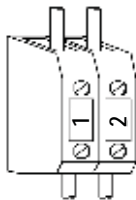
The numbering of the terminals may change without notice. For their connection is mandatory to refer to the wiring diagram supplied along with the unit.



DOMESTIC HOT WATER CIRCUIT PUMP

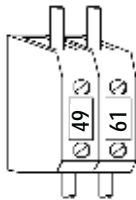
In standard configuration, the microprocessor control of the unit switches off the user water pump when the set point has reached or if the unit is in standby. This strategy provides a substantial reduction of energy use.

4.22.3 Remote wiring connections (optional)



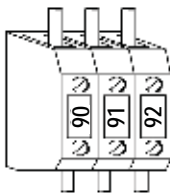
REMOTE ON / OFF

To switch the unit on or off remotely, the cable jumper connected across terminals 1 and 2 must be replaced with a switch.
Contact closed, unit ON,
Contact open, unit OFF.



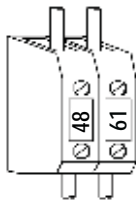
REMOTE SUMMER / WINTER CHANGE OVER

To remotely switch the unit from heating to cooling, the cable jumper connected across terminals 50 and 49 must be replaced with a switch.
Contact closed, unit in Winter mode,
Contact open, unit Summer mode.



REMOTE GENERAL ALARM

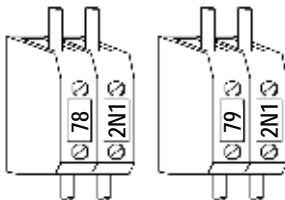
For remote display of a general alarm, connect the visual or audible device between terminals 90-91-92.
Contacts 90/91 NC (Normally closed)
Contacts 91/92 NO (Normally opened)



DOMESTIC HOT WATER CIRCUIT FLOW SWITCH (P4 versions only)

If a flow switch is required on the domestic hot water circuit, it must be connected across terminals 48 and 50. The unit is factory fitted with a jumper that has to be removed before installing the flow switch.

(Single circuit) (Double circuit)



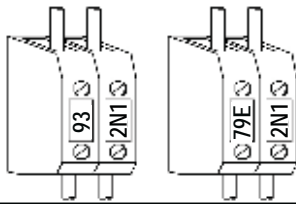
USER CIRCUIT ELECTRIC INTEGRATION HEATERS

If user circuit integration heaters are required, the coil of the contactor that is used to switch them must be connected across terminals 78 and 2N1.



The numbering of the terminals may change without notice. For their connection is mandatory to refer to the wiring diagram supplied along with the unit.

(Single circuit) (Double circuit)



DOMESTIC HOT WATER ELECTRIC INTEGRATION HEATERS

If domestic hot water circuit integration heaters are required, the coil of the contactor that is used to switch them must be connected.



PRIORITY SELECTOR (Hot water)

If a priority selector switch is to be fitted, a voltage free switch has to be connected. The selector operates as follows:

Closed contact: Domestic hot water only;

Opened contact: Domestic hot water / Heating (and / or cooling);

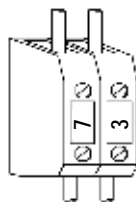
The unit is supplied with nothing connected to terminals (Open contact).

4.22.4 Factory fitted wiring connections



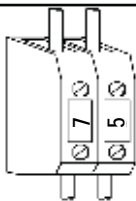
WEATHER COMPENSATED SENSOR (BTE)

This is used to measure the ambient temperature enabling weather compensation modulation of the user set point with respect to the ambient conditions. It is factory connected to terminals.



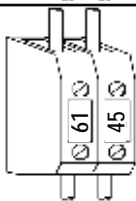
USER CIRCUIT WATER OUTLET SENSOR (BTO)

This is used to measure the outlet user temperature; it is also used as antifreeze protection in cooling mode; it is factory connected to terminals.



DOMESTIC HOT WATER OUTLET SENSOR (BTU)

This is used to measure the domestic hot water outlet temperature; it is also used as maximum temperature sensor to protect the refrigerant circuit of the unit from excessive temperatures in case of low water flow rates. The sensor is factory connected to terminals.



USER CIRCUIT FLOW SWITCH (SFW1)

This is used to protect the unit if there is a low water flow rate in the user circuit. It is factory fitted across terminals.



The numbering of the terminals may change without notice. For their connection is mandatory to refer to the wiring diagram supplied along with the unit.

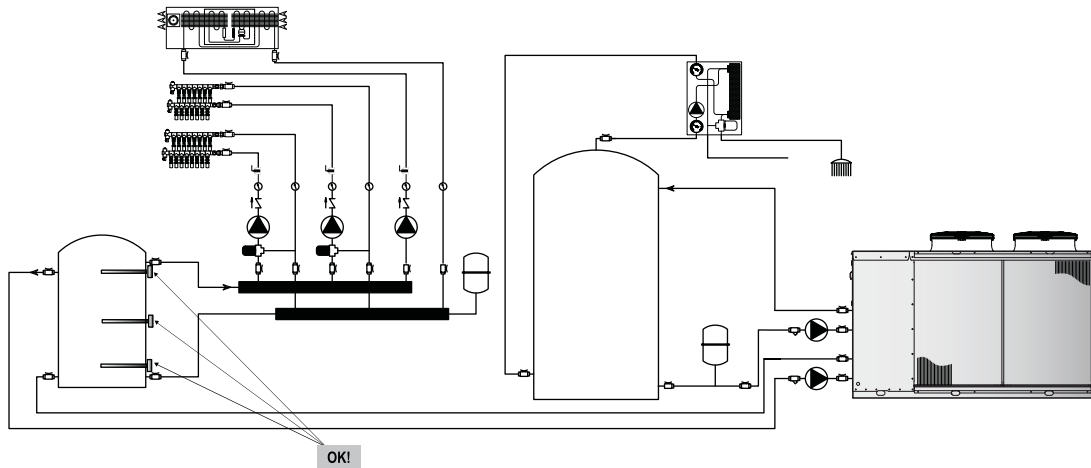
4.23 Positioning of the user circuit water inlet sensor (BTI)

The correct positioning of the BTI sensor is extremely important to guarantee the correct operation of the heat pump. The BTI sensor is used to cycle the unit to maintain the user water temperature at set point. The BTI sensor is also used to activate the user water pump and to stop it when the user water temperature set point is reached.

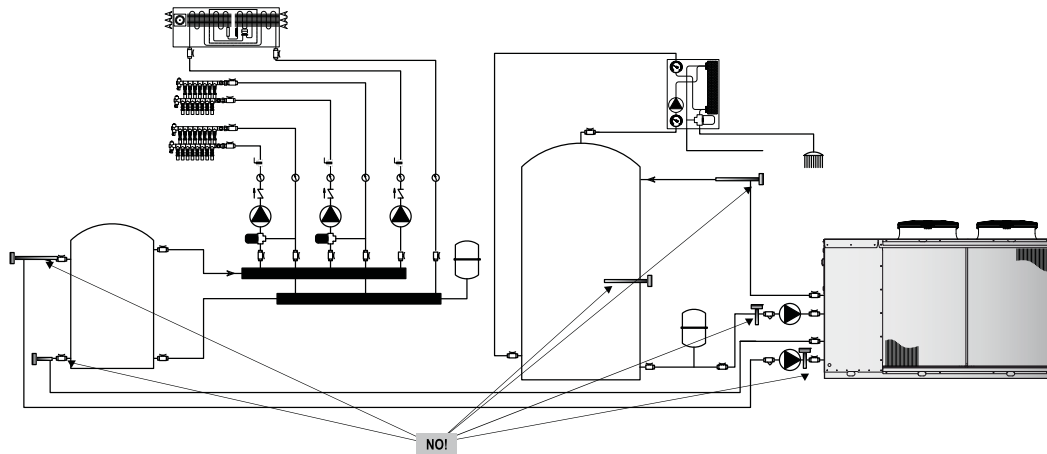


To guarantee the correct measurement of the temperature insert the probe in the sensor pocket of the buffer tank.

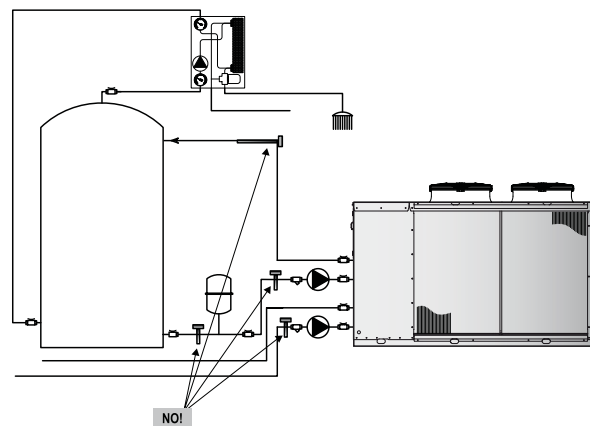
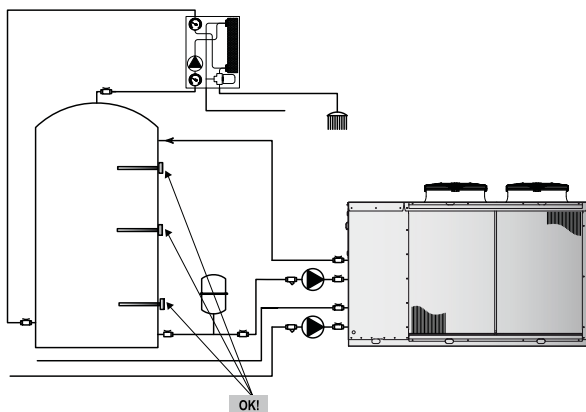
Correct positioning of the BTI sensor



Incorrect positioning of the BTI sensor



4.24 Positioning of the domestic hot water circuit sensor (BTS)



Correct positioning of the BTS sensor

Incorrect positioning of the BTS sensor

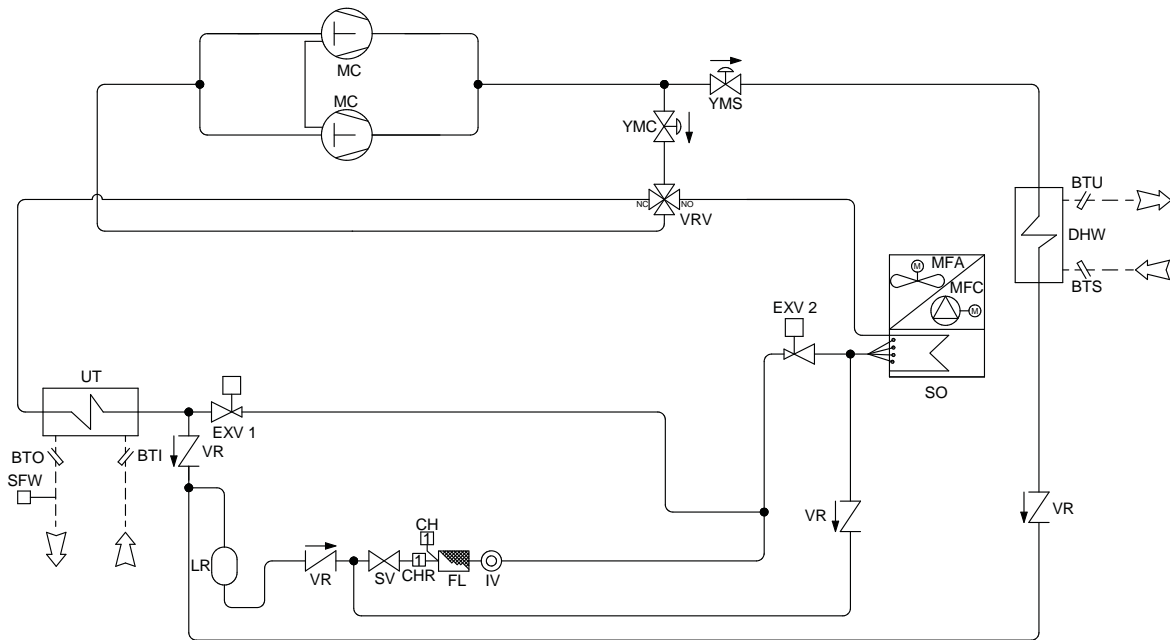
4.25 Refrigerant circuit layout

4.25.1 Refrigerant circuit layout version P4S - single finned coil



P4S Version

This is a four pipe version that can produce hot water for heating, cold water for cooling and domestic hot water in all operational modes using an independent water circuit. When cooling, DHW generation is by heat recovery. This unit is normally used with two pipe water based change-over systems with the DHW circuit being separate. When heating, if domestic hot water is required, the water flow to the heating system is temporarily stopped and all of the unit heating capacity is used to generate hot water. When cooling, domestic hot water can be produced as well as cold water for the cooling system and is available even when the cooling system is in stand-by or has reached the set point. The unit microprocessor is programmed such that domestic hot water has priority.



The cooling circuit principle diagram is purely indicative.



Models 2504 - 3004 - 3204 - 3504, 4004 - 4504 - 5004, in all versions, use two independent refrigerant circuits identical to the one shown above.

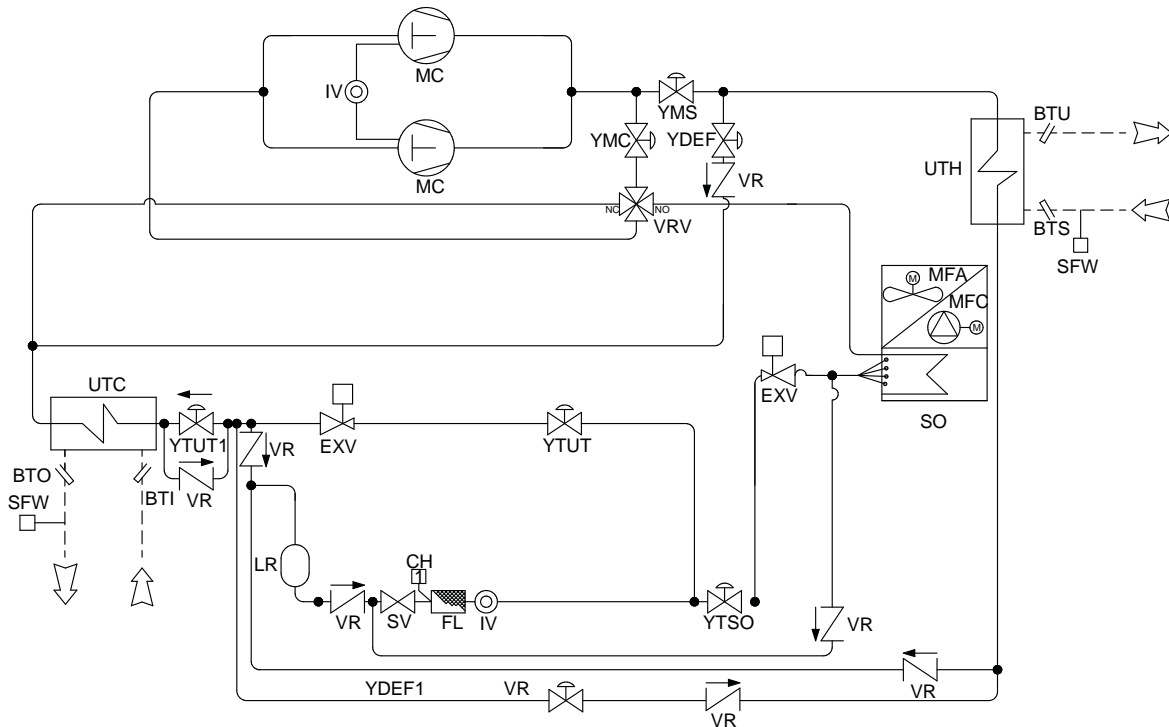
BTI	User water input probe	MFA	Source fan
BTO	User water output probe	MFC	Centrifugal fan
BTS	Sanitary water input probe	SFW	User flow switch
BTU	Sanitary water output probe	SO	Source side
CH	Charging plug 1/4 sae	SV	Shut off valve
CHR	Expansion capillary tube	UT	User side
DHW	Sanitary water input probe	VR	Check valve
ECO	Economizer	VRV	Reverse cycle valve
EXV	Thermostatic valve	YEC	By-pass solenoid valve
FL	Liquid line filter	YMC	Economizer solenoid valve
IV	Moisture indicator sight glass	YMS	Chiller solenoid valve
LR	Liquid receiver	—	Refrigeration connections
MC	Compressor	--	Hydraulic connections

4.25.2 Refrigerant circuit layout version P4U - single finned coil



P4U Version

This is a four pipe version that provides a modern approach to four pipe water based systems. Instead of using a boiler and chiller, this unit can generate hot water in one circuit, cold water in the other circuit either individually or simultaneously. When operating in simultaneous mode the heating capacity is equal to the cooling duty plus the power input to the compressors. The operating efficiency in this mode is extremely high. Domestic hot water production for this version is not available.



The cooling circuit principle diagram is purely indicative.



Models 2504 - 3004 - 3204 - 3504, 4004 - 4504 - 5004, in all versions, use two independent refrigerant circuits identical to the one shown above.

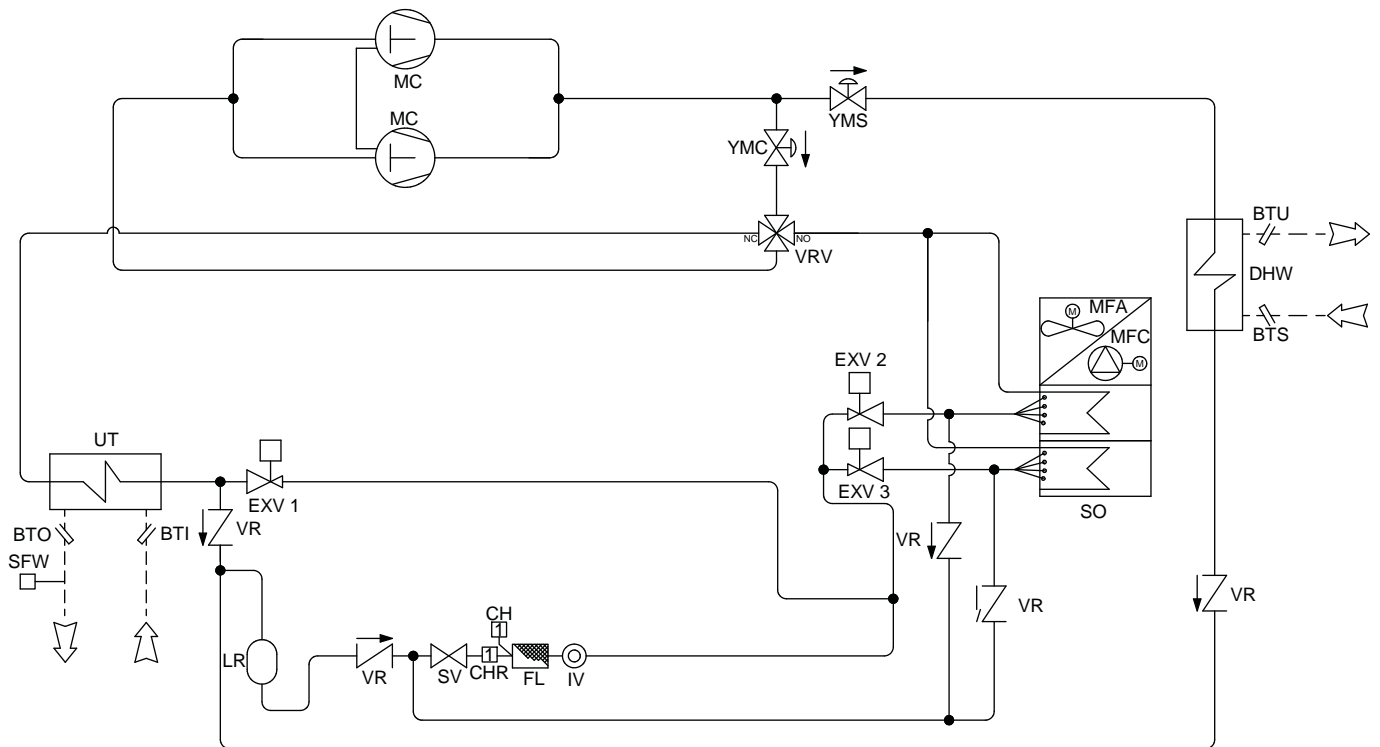
BTI	User water input probe	SO	Source side
BTO	User water output probe	SV	Shut off valve
BTS	Domestic hot water input probe	UTC	Exchanger cold user
BTU	Domestic hot water output probe	UTH	Exchanger hot user
CH	Charging plug 1/4 sae	VR	Check valve
ECO	Economizer	VRV	Reverse cycle valve
EXV	Thermostatic valve 1,2,3,4	YDEF	Solenoid valve
FL	Liquid line filter	YDEF1	Solenoid valve
IV	Moisture indicator sight glass	YEC	By-pass solenoid valve
LR	Liquid receiver	YMC	Economizer solenoid valve
MC	Compressor	YMS	Solenoid valve
MFA	Source fan	YTSO	Solenoid valve
MFC	Centrifugal fan	YTUT	Solenoid valve
REC	Exchangers heating	—	Refrigeration connections
SFW	User flow switch	--	Hydraulic connections

4.25.3 Refrigerant circuit layout version P4S - double finned coils



P4S Version

This is a four pipe version that can produce hot water for heating, cold water for cooling and domestic hot water in all operational modes using an independent water circuit. When cooling, DHW generation is by heat recovery. This unit is normally used with two pipe water based change-over systems with the DHW circuit being separate. When heating, if domestic hot water is required, the water flow to the heating system is temporarily stopped and all of the unit heating capacity is used to generate hot water. When cooling, domestic hot water can be produced as well as cold water for the cooling system and is available even when the cooling system is in stand-by or has reached the set point. The unit microprocessor is programmed such that domestic hot water has priority.



The cooling circuit principle diagram is purely indicative.

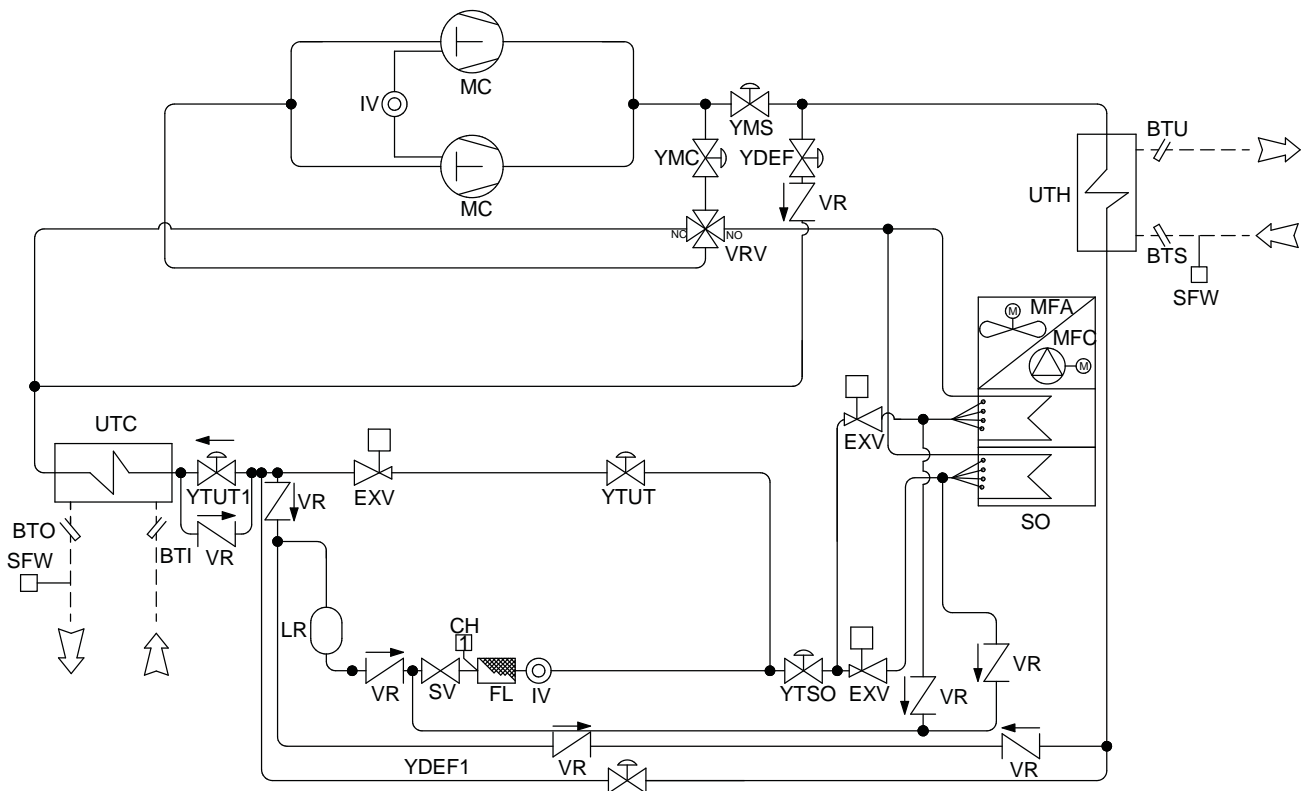
BTI	User water input probe	MFA	Source fan
BTO	User water output probe	MFC	Centrifugal fan
BTS	Sanitary water input probe	SFW	User flow switch
BTU	Sanitary water output probe	SO	Source side
CH	Charging plug	SV	Shut off valve
CHR	Charging plug	UT	User side
DHW	Sanitary water input probe	VR	Check valve
ECO	Economizer	VRV	Reverse cycle valve
EXV	Thermostatic valve	YEC	By-pass solenoid valve
FL	Liquid line filter	YMC	Economizer solenoid valve
IV	Moisture indicator sight glass	YMS	Solenoid valve
LR	Liquid receiver	—	Refrigeration connections
MC	Compressor	--	Hidraulic connections

4.25.4 Refrigerant circuit layout version P4U - double finned coils



P4U Version

This is a four pipe version that provides a modern approach to four pipe water based systems. Instead of using a boiler and chiller, this unit can generate hot water in one circuit, cold water in the other circuit either individually or simultaneously. When operating in simultaneous mode the heating capacity is equal to the cooling duty plus the power input to the compressors. The operating efficiency in this mode is extremely high. Domestic hot water production for this version is not available.



The cooling circuit principle diagram is purely indicative.

BTI	User water input probe	SO	Source side
BTO	User water output probe	SV	Shut off valve
BTS	Domestic hot water input probe	UTC	Exchanger cold user
BTU	Domestic hot water output probe	UTH	Exchanger hot user
CH	Charging plug 1/4 sae	VR	Check valve
ECO	Economizer	VRV	Reverse cycle valve
EXV	Thermostatic valve 1,2,3,4	YDEF	Solenoid valve
FL	Liquid line filter	YDEF1	Solenoid valve
IV	Moisture indicator sight glass	YEC	By-pass solenoid valve
LR	Liquid receiver	YMC	Economizer solenoid valve
MC	Compressor	YMS	Solenoid valve
MFA	Source fan	YTSO	Solenoid valve
MFC	Centrifugal fan	YTUT	Solenoid valve
REC	Exchangers heating	—	Refrigeration connections
SFW	User flow switch	--	Hydraulic connections

5. UNIT START UP

5.1 Preliminary checks

Before starting the unit the checks detailed in this manual of the electric supply and connections, the hydraulic system and the refrigerant circuit, should be performed.



Start-up operations must be performed in accordance with the instructions detailed in the previous paragraphs.



If it is required to switch the unit on and off, never do this using the main isolator: this should only be used to disconnect the unit from the power supply when the unit is to be permanently off. Isolation will result in no supply for the crankcase heater and on start up the compressor could be seriously damaged.



In the extra low noise versions, be sure to remove the yellow hardware at the base of the compressor before starting.

5.1.1 Before start-up



Damage can occur during shipment or installation. It is recommended that a detailed check is made, before the installation of the unit, for possible refrigerant leakages caused by breakage of capillaries, pressure switch connections, tampering of the refrigerant pipework, vibration during transport or general abuse suffered by the unit.

- Verify that the unit is installed in a workmanlike manner and in accordance with the guidelines in this manual.
- Check that all power cables are properly connected and all terminals are correctly fixed.
- The operating voltage between phases R S T is the one shown on the unit labels.
- Check that the unit is connected to the system earth.
- Check that there is no refrigerant leakage.
- Check for oil stains, sign of a possible leak.
- Check that the refrigerant circuit shows the correct standing pressure on the pressure gauges (if present) otherwise use external ones.
- Check that the Schrader port caps are the correct type and are tightly closed.
- Check that crankcase heaters are powered correctly (if present).
- Check that all water connections are properly installed and all indications on unit labels are observed.
- The system must be flushed, filled and vented in order to eliminate any air.
- Check that the water temperatures are within the operation limits reported in the manual.
- Before start up check that all panels are replaced in the proper position and locked with fastening screws.



Do not modify internal wiring of the unit as this will immediately invalidate the warranty.



Crankcase heaters must be powered at least 12 hours before start up (pre-heating period) To do this, isolate the compressor(s), fans and pump(s) in the electrics box and then switch on the main isolator (heaters are automatically supplied when the main switch is closed). The crankcase heaters are working properly if, after several minutes, the compressor crankcase temperature is about 10÷15°C higher than ambient temperature.



During the 12 hours pre-heating period it is also important to check that the label OFF is shown on the display or that the unit is on stand-by mode. If there is an accidental start-up before the 12 hours pre-heating period has elapsed, the compressors could be seriously damaged and therefore the warranty will immediately terminate .

5.1.2 Device Set-point Differential Reset

Device		Set-point	Differential	Reset
Heating mode	°C	35	2	-----
Domestic hot water mode	°C	50	2	-----
Cooling mode	°C	23	2	-----
Anti-freeze thermostat	°C	4,5	4	MANUAL
High pressure switch	Bar	45	7	Automatic for 3 times (than manual)
Low pressure switch	Bar	5,7	1,3	
Water safety valve (Present in A versions only)	Bar	6,0		Automatic



If the unit is required for heating/cooling only (without domestic hot water production) the internal parameter of the microprocessor FS1 has to be modified from 2 to 1 in order to avoid configuration alarms. Please contact the company for support.

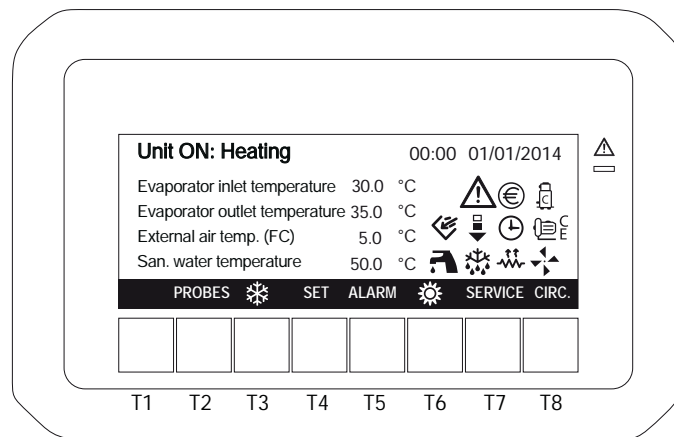
5.1.3 Controls during unit operation

- Check the rotation of the compressors and fans. If the rotation is incorrect, disconnect the main switch and change over any two phases of the incoming main supply to reverse motor rotation (only for units with three-phase fan motors).
- After several hours of operation, check that the sight glass has a green colour core: if the core is yellow moisture is present in the circuit. In this event it is necessary for dehydration of the circuit to take place. This must be performed by qualified people only. Check that there are no continuous vapour bubbles present at the sight glass. This would indicate a shortage of refrigerant. A few vapour bubbles are acceptable.
- Few minutes after start up, check that the equivalent temperature of the refrigerant gas, measured at the pressure inside the finned coil with fans running at full speed, differs from the outside air temperature of about 7-10°C; also verify that the equivalent temperature of the refrigerant gas, measured at the pressure in the plate heat exchanger, differs from the temperature of the water outlet from the exchanger of about 3-5°C .

5.2 Position of the control panel



5.3 Description of the control panel



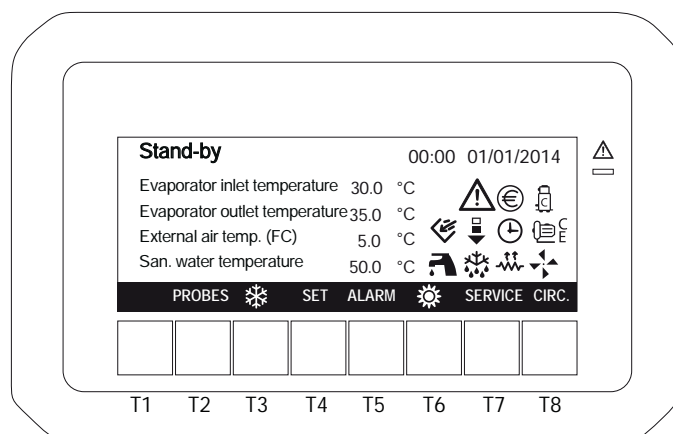
5.3.1 Display icons

Icon	Meaning	Icon	Meaning
	Number of compressors in operation.		Indicates that the electric heaters are active.
	Water pump		Economy or ON/OFF by timetable.
	Indicates that the fans are working.		Free cooling is active (not available).
	Indicates that an alarm is active.		Domestic hot water.
	Economy function		Indicates that the defrost is active.
	Unloading function (not available).	CH	Only cooling mode (chiller)
HP	Heat pump mode	HW	Domestic hot water mode

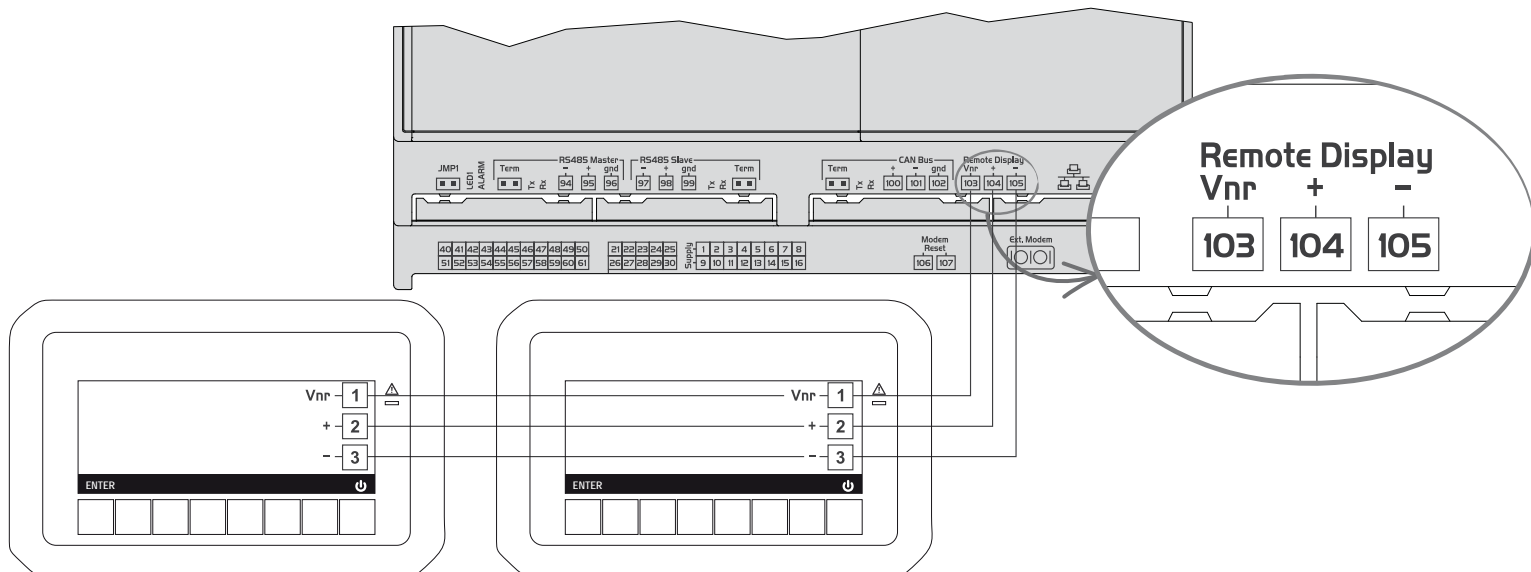
5.3.2 Key function

T2:	PROBES	Allows to read the value of the probes configured
T3:		Allows to switch on the unit in cooling mode
T4:	SET	Allows to read and modify the set point
T5:	ALARM	Allows to read and reset the alarms
T6:		Allows to switch on the unit in heating mode
T7:	SERVICE	Allows to enter the SERVICE menu
T8:	CIRC	Allows to read the main information of the circuits (compressor status, water pump status, pressure probe value,...)

When the unit is turned on, the display will be as follows:



5.4 Remote keyboard connection

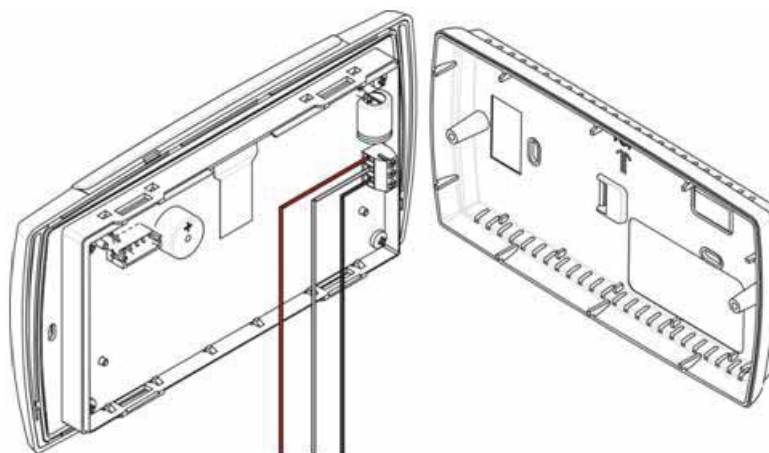


The remote control panel can be remotely up to a maximum distance of 50 meters from the unit.
In case the supply bipolarity is not respected, the remote control and the programmable control iPro.CHILL can be seriously damaged.



- In case of power supply failure, the keyboard doesn't work.
- In case of communication problems, the display shows "noL" message.

5.4.1 Wall mounting connection diagram



6. USE

6.1 Switch the unit on

Unit switch-on and switch-off can take place:

- From the keyboard
- From digital input configured as remote ON/OFF



Before first start-up, consult and carry out the operations described in the paragraph "Periodical and start up checks".

6.1.1 Switch the unit on from the keyboard

Cooling mode

To start the unit in the cooling mode, press the  key. The icon  appears on the display.

If requested, the compressor safety delay countdown starts and the compressor icon flashes. The water pump will be activated after few seconds, and then, once the compressor countdown has finished, the compressor starts and the icon remains on. The display shows the user water inlet temperature and Domestic hot water inlet temperature.

Heating mode

To start the unit in heating mode, press the  key. The icon  appears on the display.

If requested, the compressor safety delay countdown starts and the compressor icon flashes. The water pump will be activated after few seconds and then, once the compressor countdown has finished, the compressor starts and the icon remains on. The display shows the user water inlet temperature and Domestic hot water inlet temperature.

Domestic hot water mode

At the first start up, the unit microprocessor control checks the domestic hot water inlet temperature measured by the sensor BTS (this has priority over the other parameters) and, if the measured temperature is lower than the domestic hot water set point, it will activate the domestic hot water mode automatically. If the unit is required to operate in heating and the domestic hot water temperature is higher than the set point (there is no requirement for domestic hot water) the microprocessor control will activate the unit in heating mode.

In P4S version, if the unit is required to operate in cooling and domestic hot water mode the microprocessor control will activate both functions at the same time. If domestic hot water is not required, the microprocessor control will activate cooling mode only.

In stand-by mode, the controller gives the possibility to:

- display the set values
- manage alarms, their display and reports.

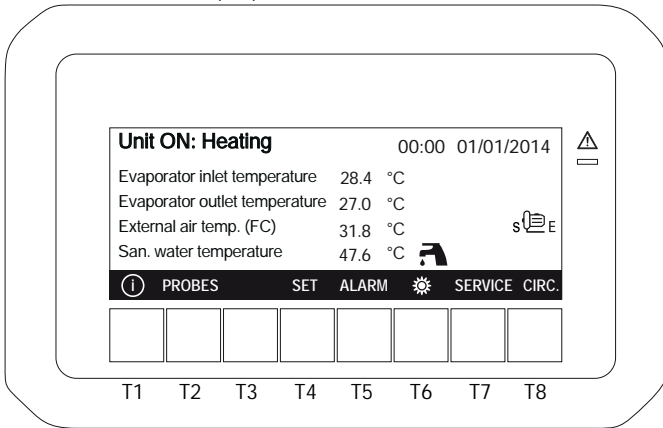


If it is required to switch the unit on and off, never do this using the main isolator: this should only be used to disconnect the unit from the power supply when the unit is to be permanently off. Isolation will result in no supply for the crankcase heater and on start up the compressor could be seriously damaged.

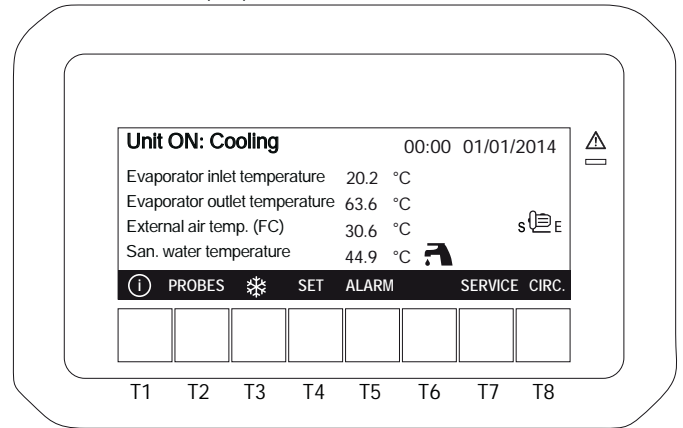
6.1.2 Heating and cooling mode

The display shows the typical visualization during the unit working in:

HEATING MODE (HP)

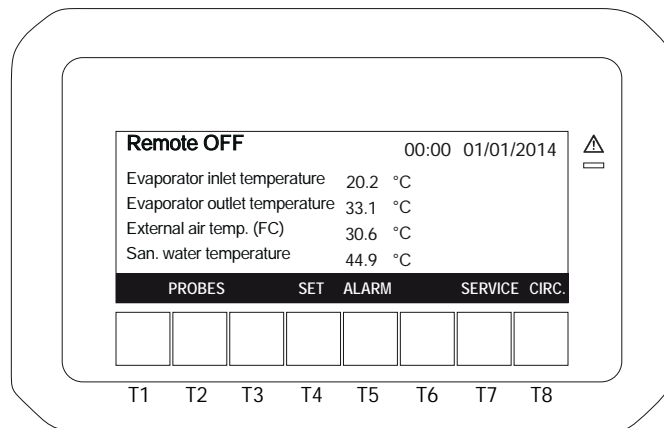


COOLING MODE (CH)



6.1.3 Switch the unit on from from digital input

If the unit is switch off by remote digital input, the display shows:

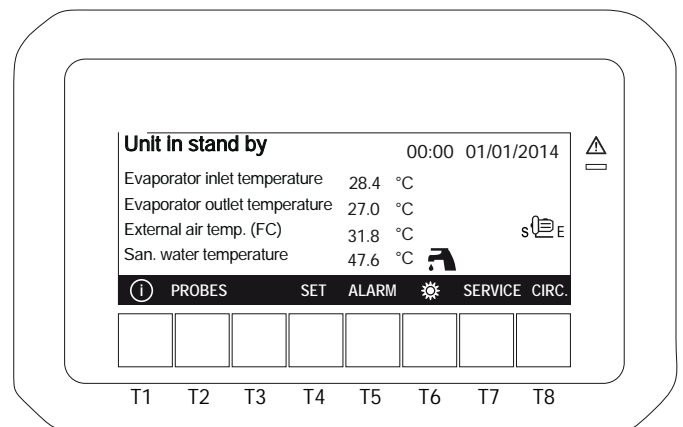
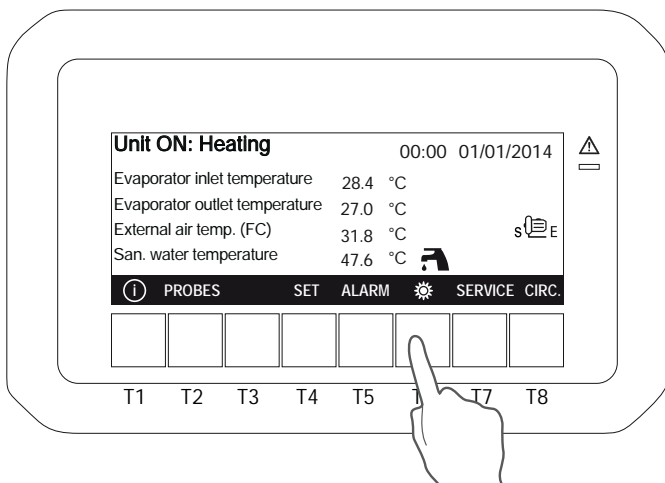


When the digital input is not active, the unit is in OFF mode

- The remote input has the priority with respect to the keyboard
- The unit can only be switched-on and off if the remote input is activated

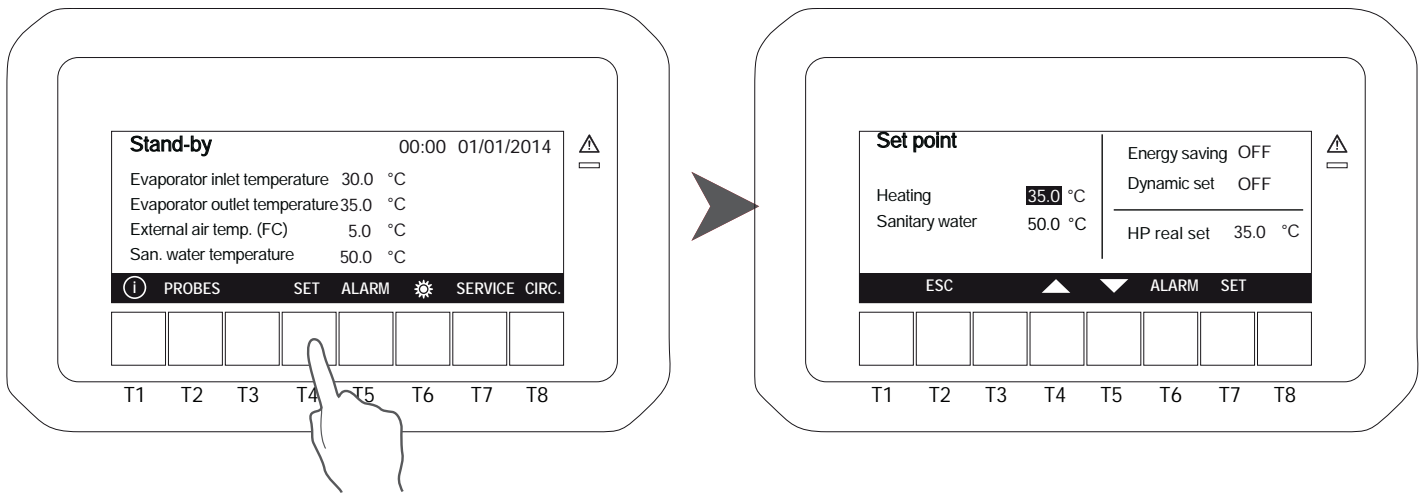
6.2 Stop

To switch the unit off press the key or



6.3 Set point

To change the set-point from the main screen, press SET.



To modify the values, move the cursor with T4; press SET to select, the value starts blinking, change the data pressing T4 and T5. Once the required value is reached, press again SET to confirm.

The cursor will automatically position itself on the next value, to modify it, repeat the operation just described.

In this screen it is also possible to verify (but not modify) whether the energy saving mode and dynamic set are active.

Press ESC to go back to the main menu.



All set points refer to the return temperature from the plant. In case hot water at 45°C is requested and the Δt is 5°C, then the set point must be set at 40°C. In case the Δt is 8°C, then the set point must be set at 37°C. In case cold water is requested, for example at 15°C and the Δt is 5°C, then the set point must be set at 20°C. If the Δt is 8°C, then the set point must be set at 23°C.

6.3.1 Adjustable parameters

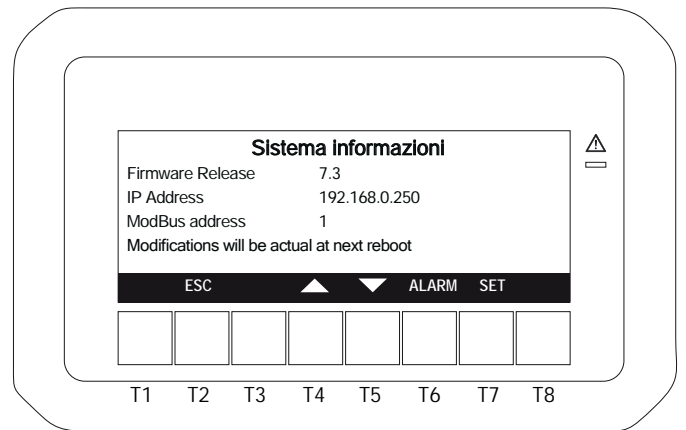
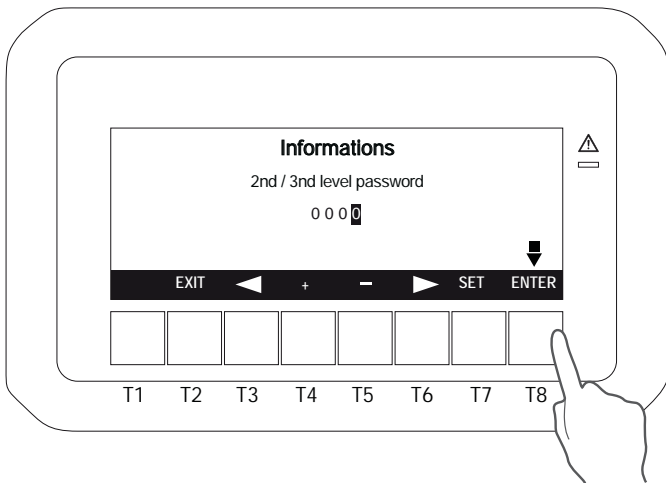
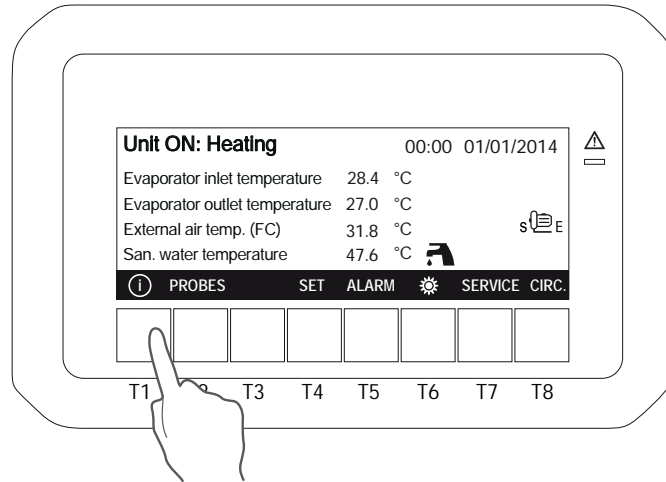
The adjustable set point that can be modified by the end user are:

Function	Adjustment limit	Default value
Heating set-point	10÷55°C	35°C
Domestic hot water set-point	20÷55°C	50°C
Cooling set-point	10÷25°C	23°C
Set point compensation	0÷15°C	10°C
Password	(Contact the company)	



The units are supplied with a very sophisticated control system with many other parameters that are not adjustable by the end user; these parameters are protected by a manufacturer password.

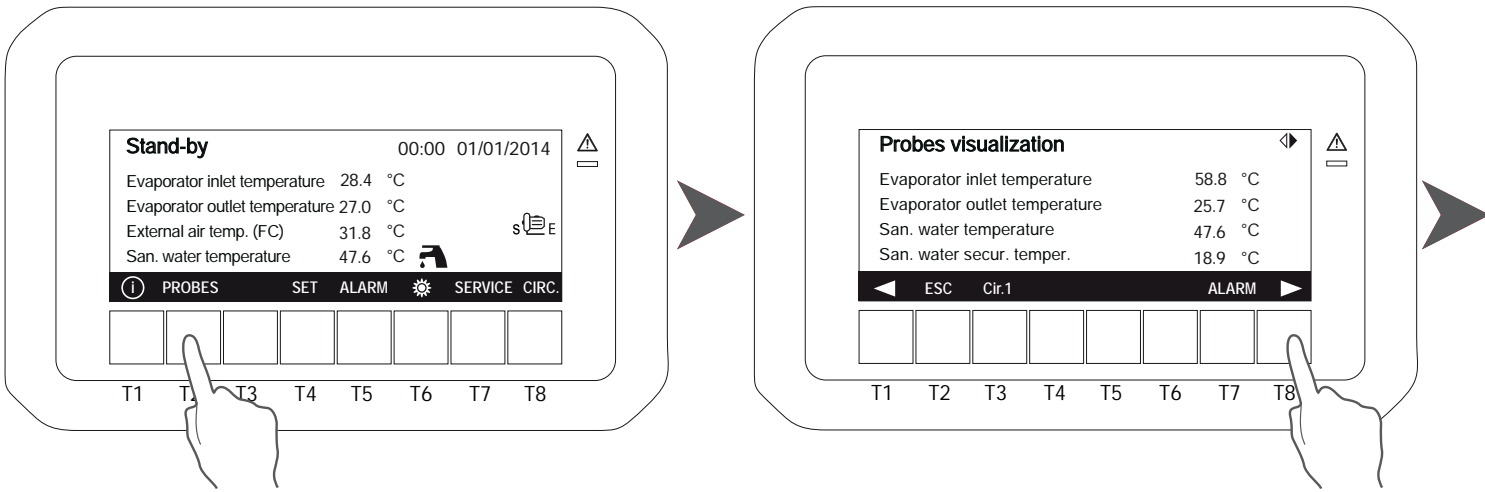
6.3.2 Change IP address



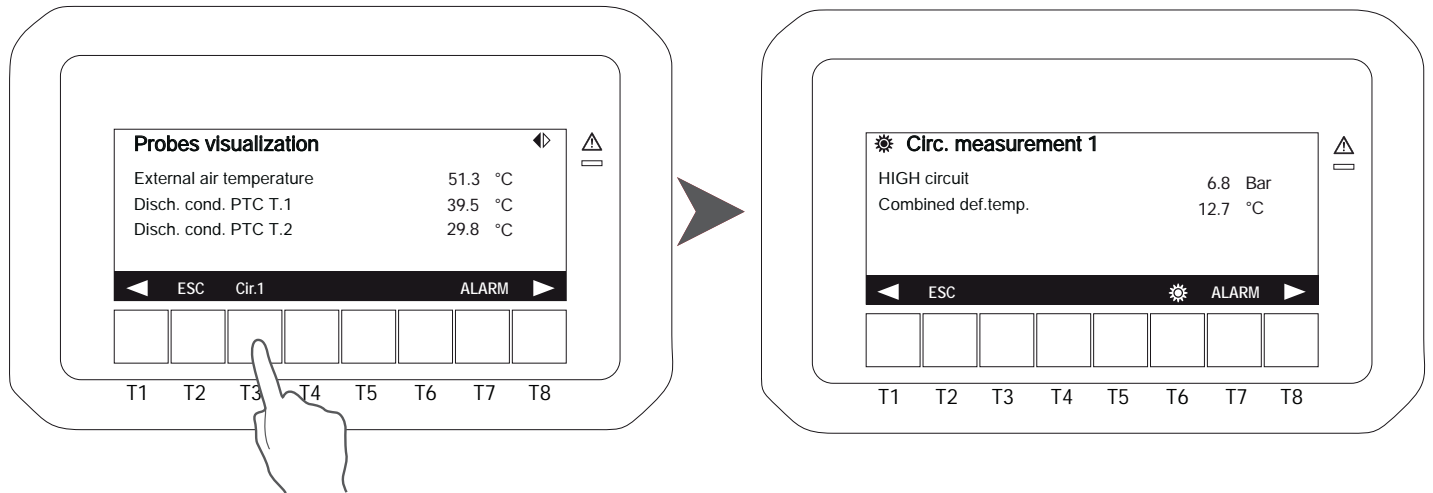
To change other network elements such as gateways, subnets, connect to the control panel. A notebook and a network cable are required.

6.4 PROBES key

To view all the parameters measured by the sensors of the unit press PROBES;



By pressing the T8 key, all relevant values of the circuit will be displayed

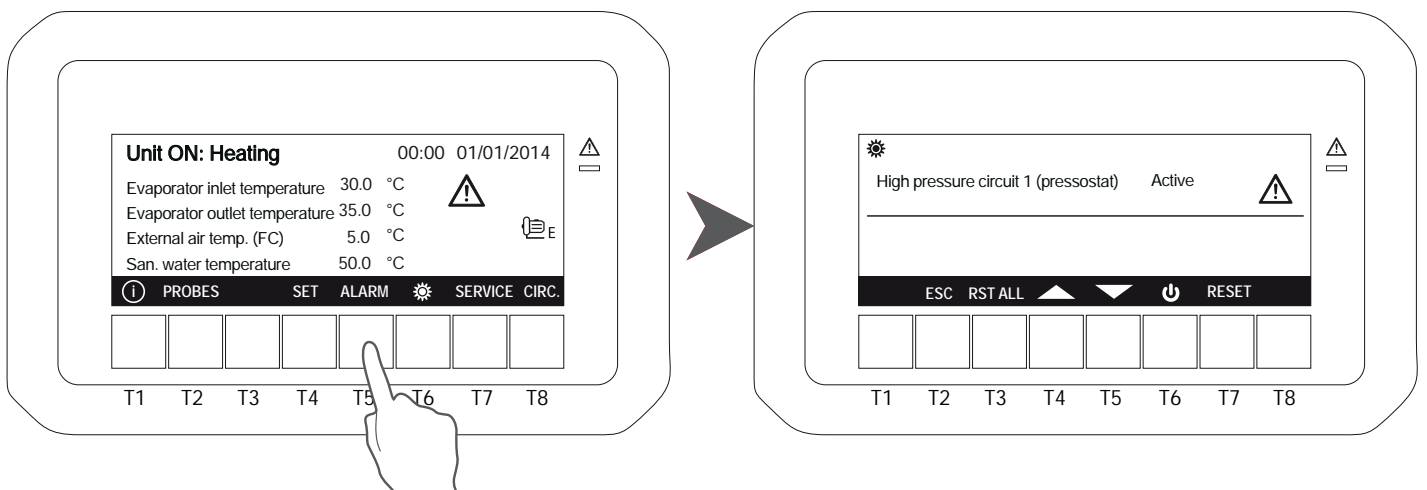


Press ESC to go back to the main menu.

6.5 ALARM key

When the alarm occurs, the display shows the icon blinking.

Press ALARM key to read the alarm status:



The alarm status can be:

- **Reset:** the alarm is not active and it is possible to reset it. Press T4 and T5 keys to select the alarm to select it and press SET key to reset the alarm.
- **Password:** in this case the alarm is no longer active, but you need a password to reset it (please contact the Company).
- **Active:** the alarm is still active and it is not possible to reset it.

In case more resettable alarms are present, it's possible to reset all of them at once pressing RST ALL key.
In any case, even if all the alarms are reset, they remain present in the alarm history.

6.6 CIRC key

Pressing CIRC can view the different parameters of the unit:

Pressing T1 and T8 you move from one screen to another.

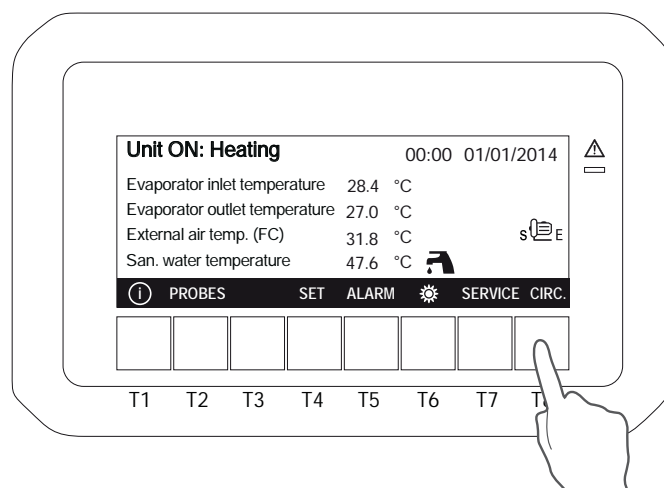
State of the compressors; the display shows compressors present in each circuit and the activation status of each one.

Color black: compressor running

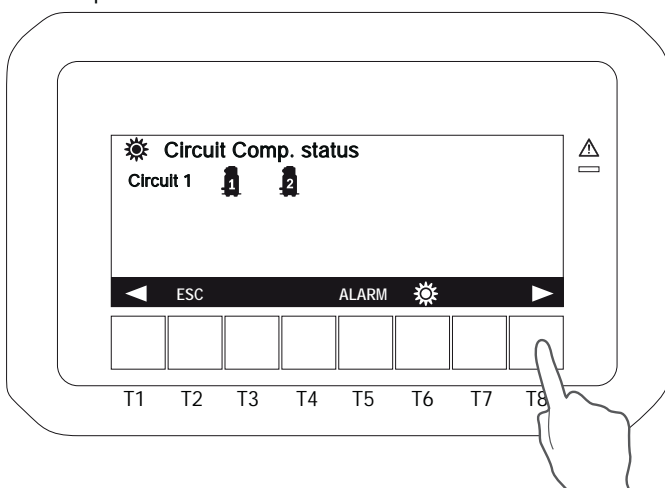
Color white: compressor on standby

In case of use of compressors in part-loading (typically screw compressors) an icon appears to the right of the compressor showing the level of step control.

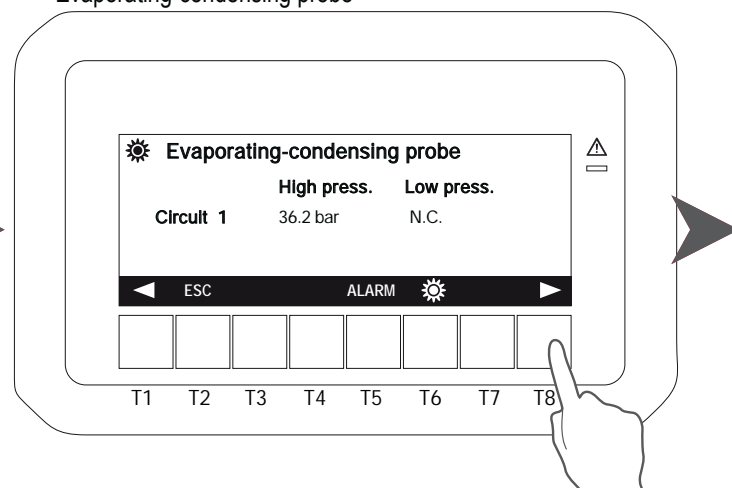
In case of use of On/Off compressors (Scroll) no icon appear to the right of the compressor.



Compressor status

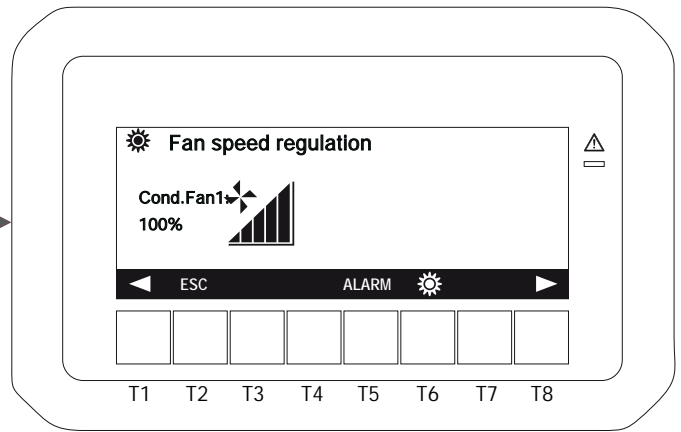
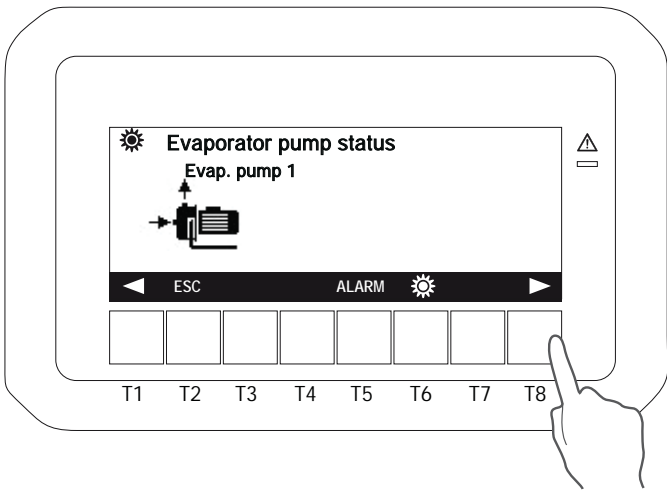


Evaporating-condensing probe

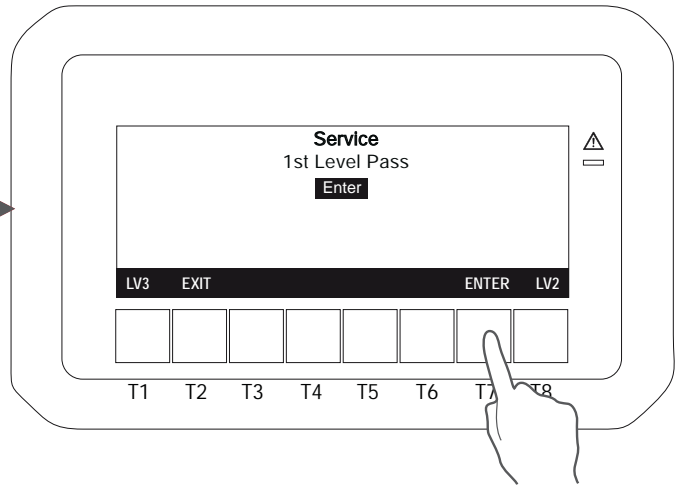
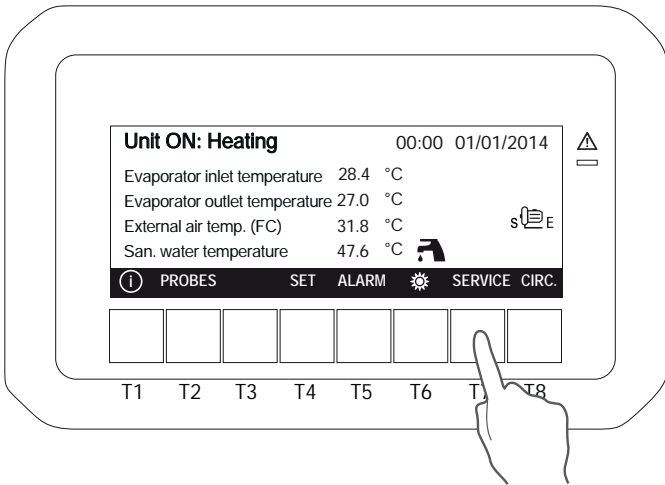


Evaporator pump status

Fan speed regulation

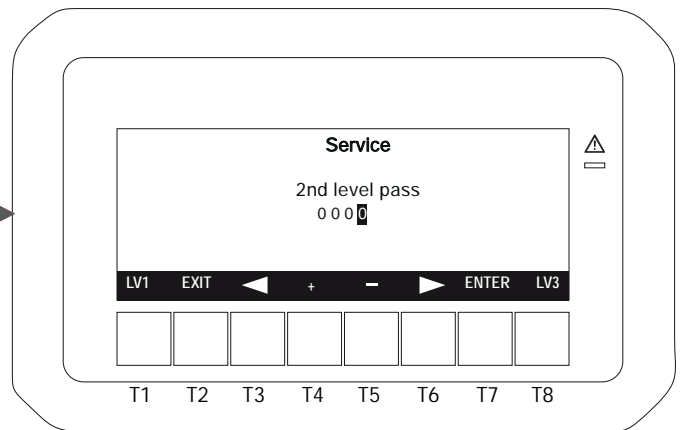
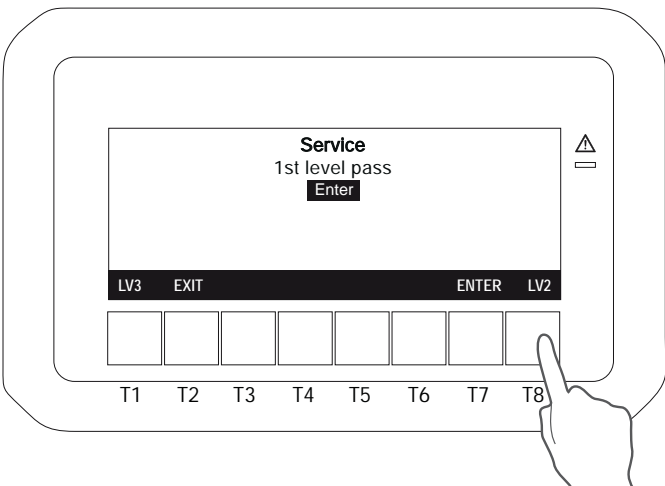


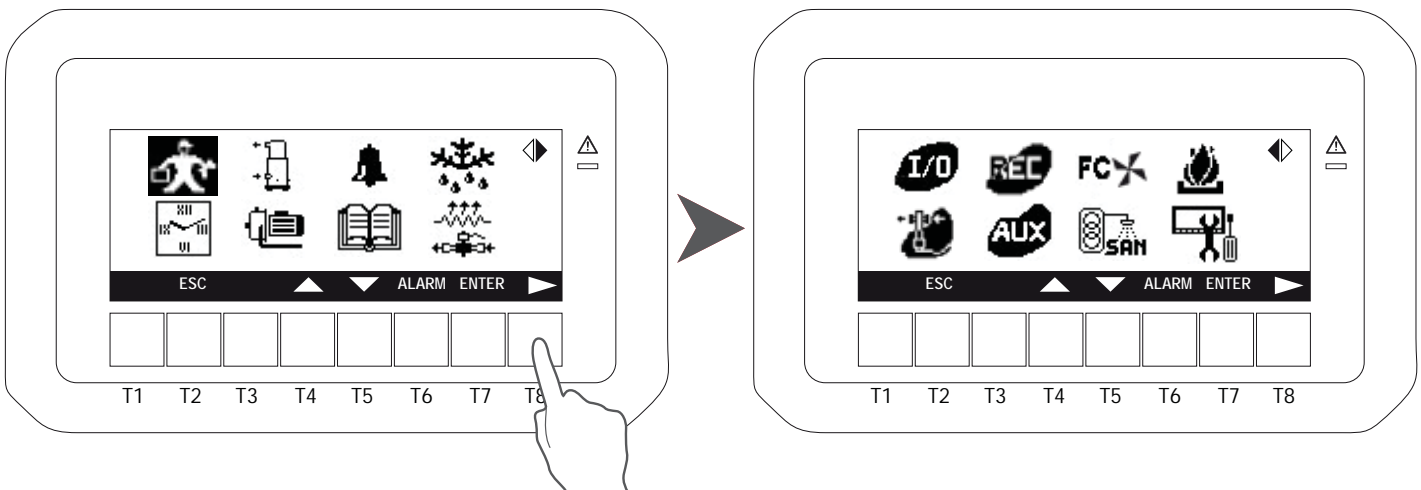
6.7 SERVICE key



To enter service menu select **SERVICE**.

The system prompts you to enter the password to access to different levels of security; press **ENTER** to enter the first level or press **T1** and **T8** keys to enter in the other levels.





Press the **ENTER** key from main screen to access the following menus:


Setting parameters (for service only)	Expansion Valve
Time and date setting	I/O status (Inputs and Outputs)
Compressors status	Recovery (Not available)
Pumps	Auxiliary outputs
Display of alarms	Free cooling (Not available)
Alarm history	Domestic hot water (if available)
Defrost (if available)	Auxiliary heating (if available)
Electrical heater and pump down valve status	Control panel

Press T8 key to display all the menu available.

Move between the available menu using the T4 and T5 keys, press **ENTER** to select the required menu.

To modify the value of the parameter: press T4 and T5 to select the parameter to modify then press **SET** the value start to blinking, press T4 and T5 to modify, than press **SET** again to confirm.

6.7.1 Service parameters setting

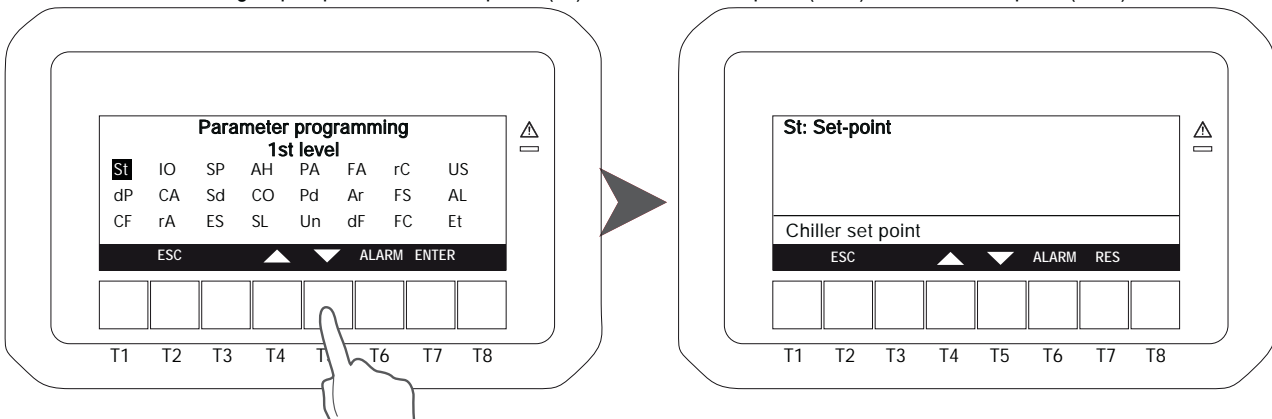
To enter this menu select  moving between the icons with the keys T4 and T5 and press SET.

With password level 1 you could only change the Set Point (St), Serial address (SP), dynamic Set point (Sd), Energy saving (ES) and parameters of sanitary circuit (FS); the unit must be in stand-by. Press SET to enter in the group of parameters. Other parameters can be modified by pressing LV2 and LV3 keys by service people only with a dedicated password.

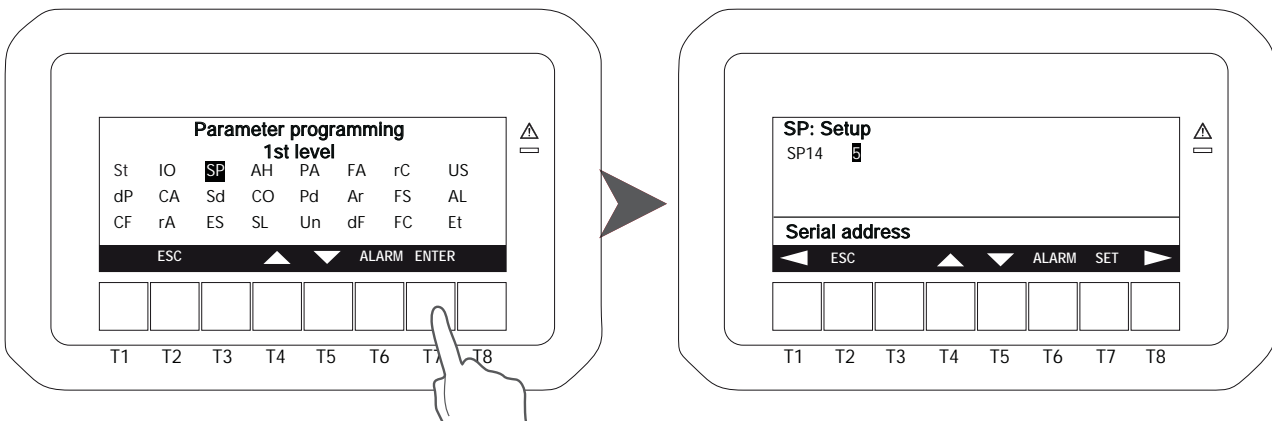
Parameters list:

Code	Meaning	Code	Meaning
ST	Temperature control parameters	FA	Ventilation parameters
DP	Variables to be shown on the keyboard	Ar	Anti-freeze heaters parameters
CF	Configuration parameters	dF	Defrost parameters
SP	Parameters for machine set up	rC	Not available
Sd	Dynamic set-point parameters	FS	Production of domestic hot water parameters
ES	Energy saving and automatic timed switch-on/off parameters	FC	Not available
AH	Auxiliary heating parameters	US	Auxiliary output parameters
CO	Compressor parameters	AL	Alarm parameters
SL	Stepless compressor parameters	Et	Not available
PA	Evaporator/condenser water pump parameters	IO	Inputs/outputs configuration parameters
Pd	Not available	CA	Not available
Un	Unloading function parameters	RA	Analog input range parameters

The values available in the group of parameters "Set point" (St) are: summer set point (St01) and winter set point (St04).



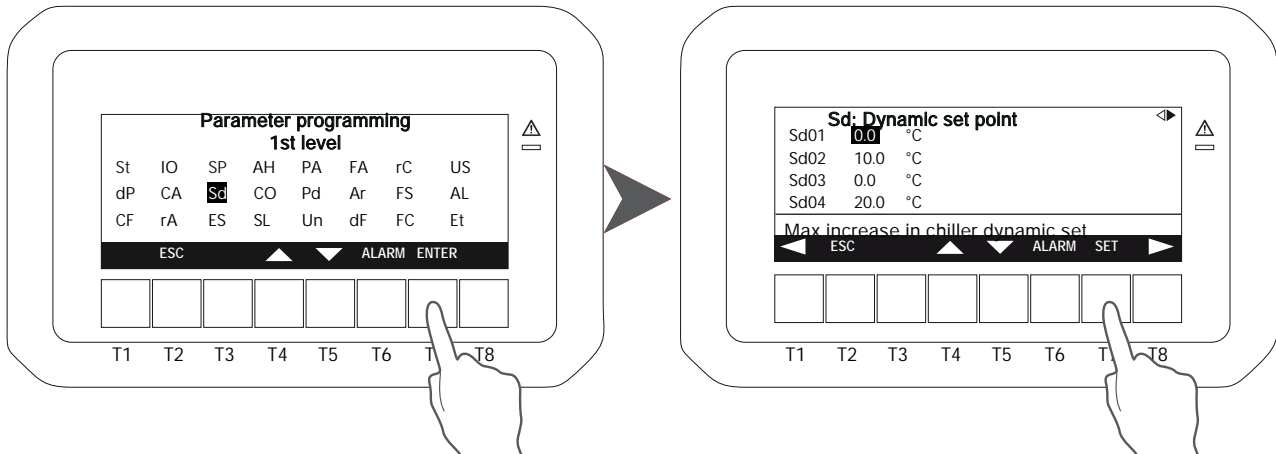
Setup parameters (SP): make possible to modify the serial address.



To modify the value of the parameter press SET key, the value start to blinking, press T4 and T5 o modify, than press SET again to confirm.

The values available in the group of parameters “Dynamic set point” (Sd) are: dynamic set point: summer offset (Sd01), dynamic set point: winter offset (Sd02), dynamic set point: summer outside temp. (Sd03), dynamic set point: winter outside temp. (Sd04), dynamic set point: summer differential temp. (Sd05) and dynamic set point: winter differential temp.(Sd06).

For more informations about the parameters see par. 6.3.1 and 6.3.2.

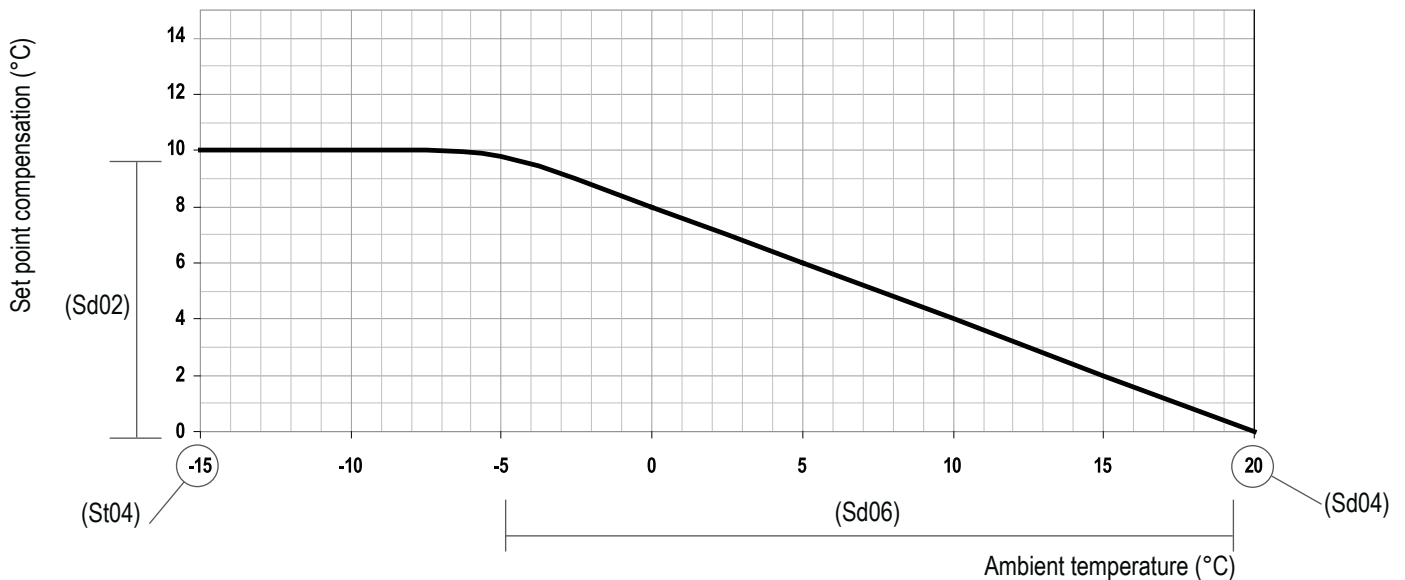


Press T4 and T5 keys to select the parameter.

To modify the value of the parameter press SET key, the value start to blinking, press T4 and T5 keys to modify, than press SET again to confirm.

Weather compensated function

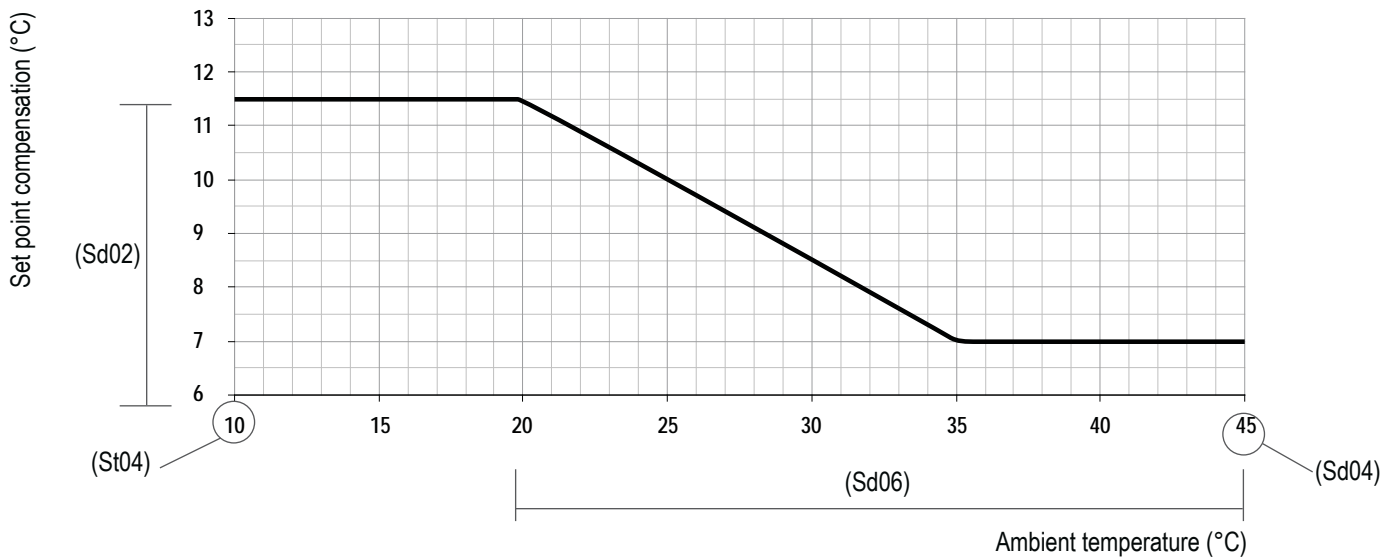
This function makes it possible to activate the weather compensation sensor in order to optimize the efficiency of the unit. Automatically it modifies the set-point value with respect to external air temperature: a calculation is performed on the set-point to provide a revised value of set point for higher ambient conditions (see example given below). This function makes it possible to save energy and to operate the unit in severe ambient conditions. This function is only active in heating mode.



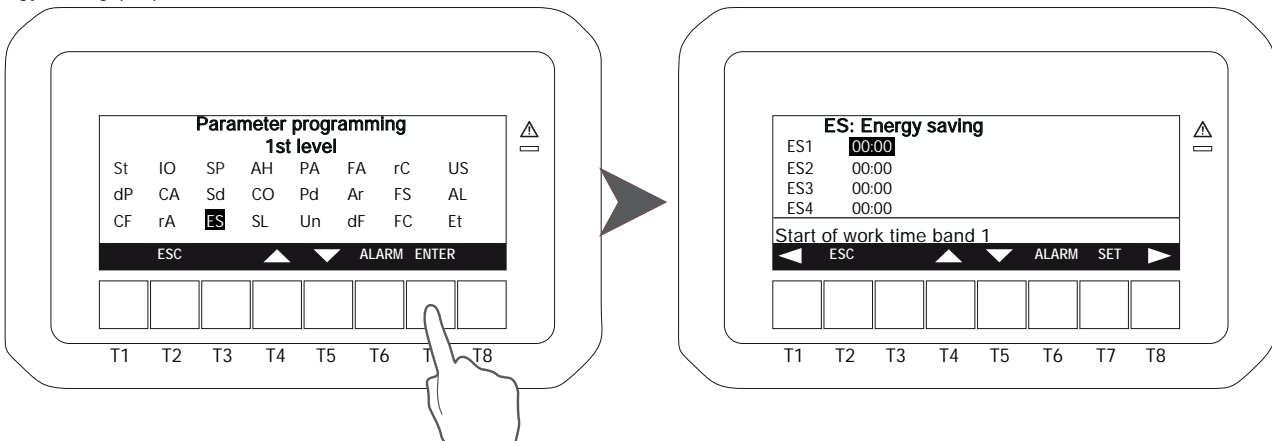
All units are factory set with the weather compensated function activated. The slope starts at +20°C with a differential of 10°C.



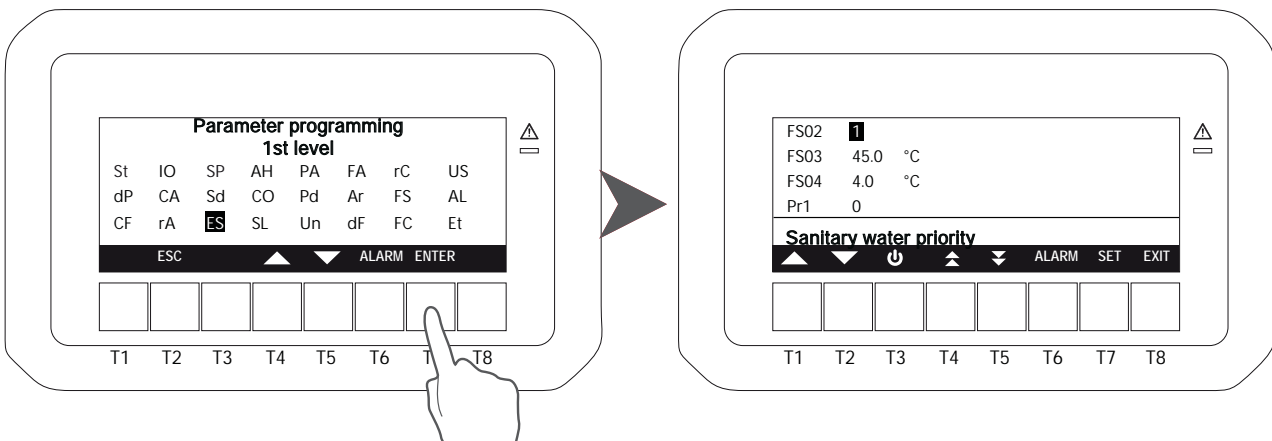
With the energy saving mode activated, if the SET key is pressed twice the bottom of the display shows the SETTR (weather compensated set point) label that is the specific set point calculated by the microprocessor control for the measured ambient temperature condition.




Energy saving (ES)



The values available in the group of parameters "Sanitary circuit" (FS) are: Sanitary water priority (FS02), Sanitary water set point (FS03), Sanitary water proportional band (FS04) .

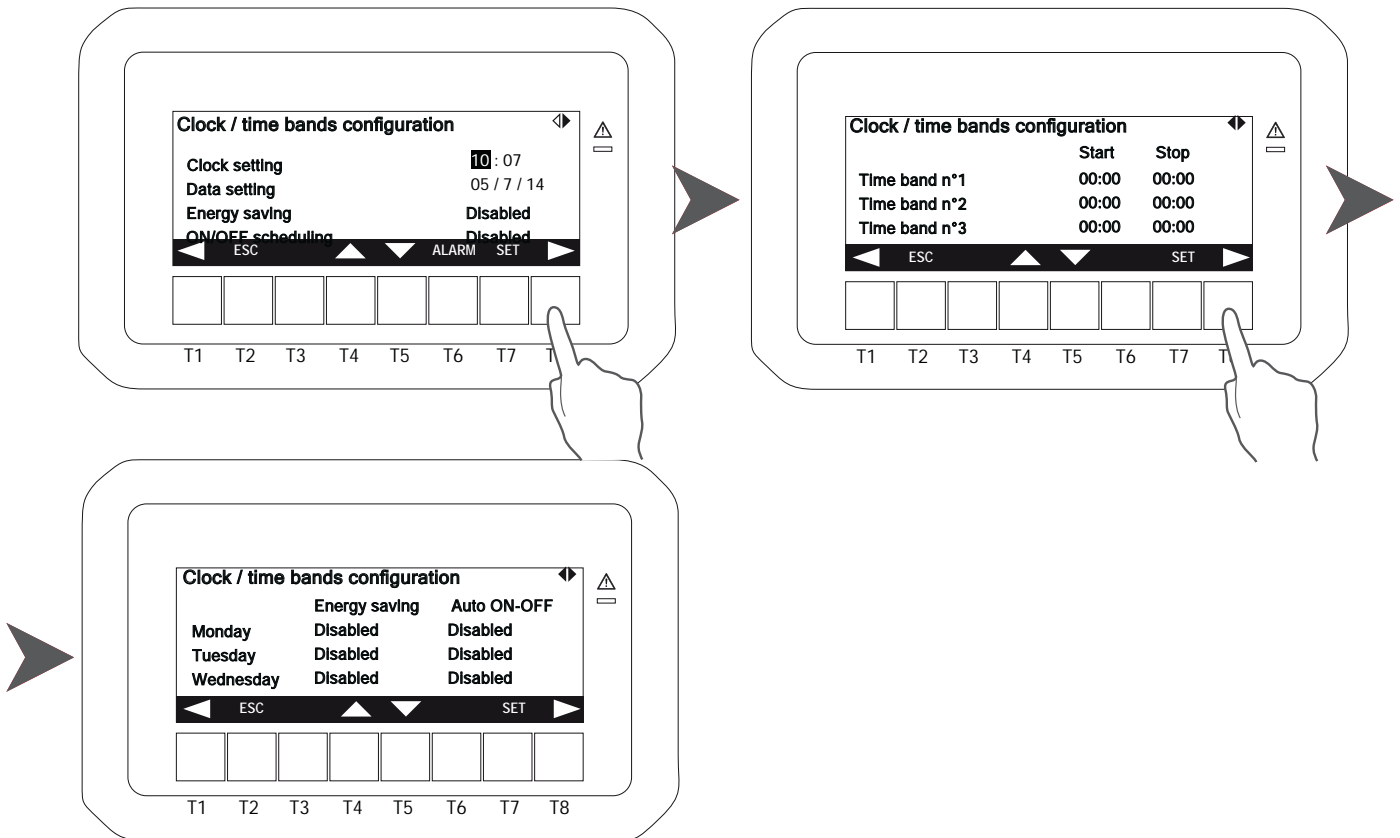


6.7.2 Setting date and time


To enter this menu select  moving between the icons with the keys T4 and T5 and press SET.

Press T4 and T5 to select the value you want to edit than press SET. The selected parameter will start blinking, press T4 and T5 to set the value and than press SET to confirm.

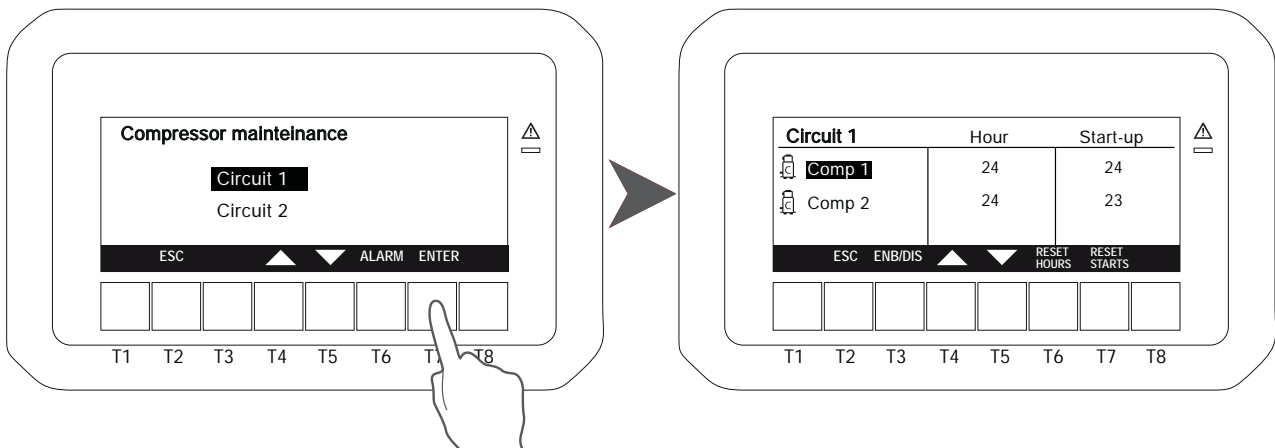
Pressing T8 it is possible to read the information about the Energy saving, ON/OFF scheduling and time bands. To modify the hour of the time band and to enable the function is necessary to insert the password, in case you do not have a password, you can only view the different parameters..



6.7.3 Compressor maintenance

To enter this menu select  moving between the icons with the keys T4 and T5 and press SET.

It is possible to display the compressors working hour and the number of activations. Select the circuit with the keys T4 and T5 than press SET to display the parameters. The disabling function of the compressors ENB DIS and the reset functions RESET HOURS, RESET STARTS are only possible by service people.

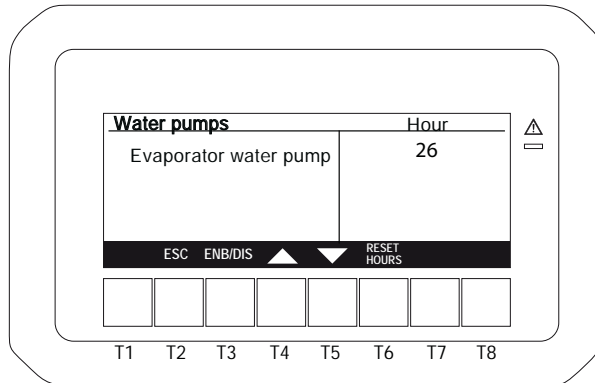


6.7.4 Water pumps



To enter this menu select moving between the icons with the keys T4 and T5 and press SET.

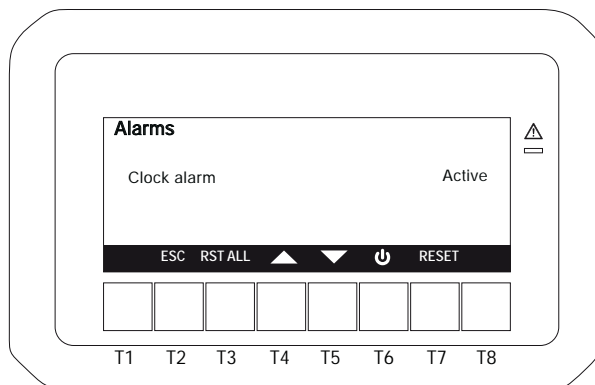
It is possible to display the working hours of water pumps. The function RESET HOURS is only possible by service people.



6.7.5 Alarms



To enter this menu select moving between the icons with the keys T4 and T5 and press SET.

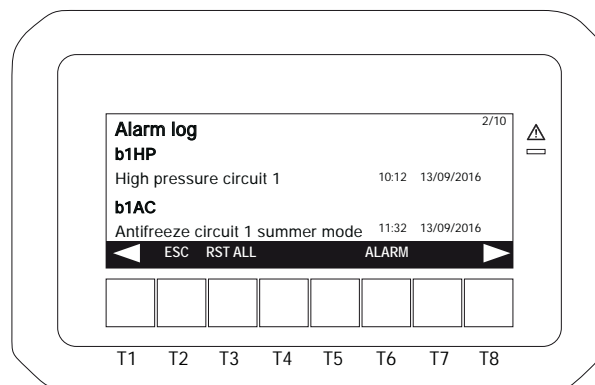


6.7.6 Alarm log



To enter this menu select moving between the icons with the keys T4 and T5 and press SET.

Pressing T1 and T8 it is possible to read the last 99 alarms. The function of reset of all alarms RST ALL is only possible by service people.

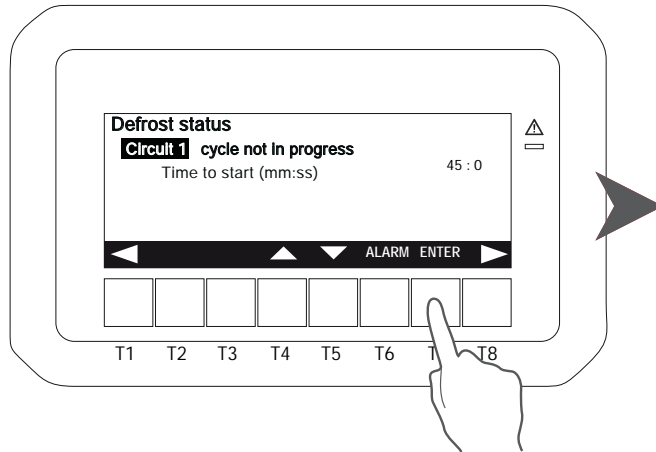


6.7.7 Defrost

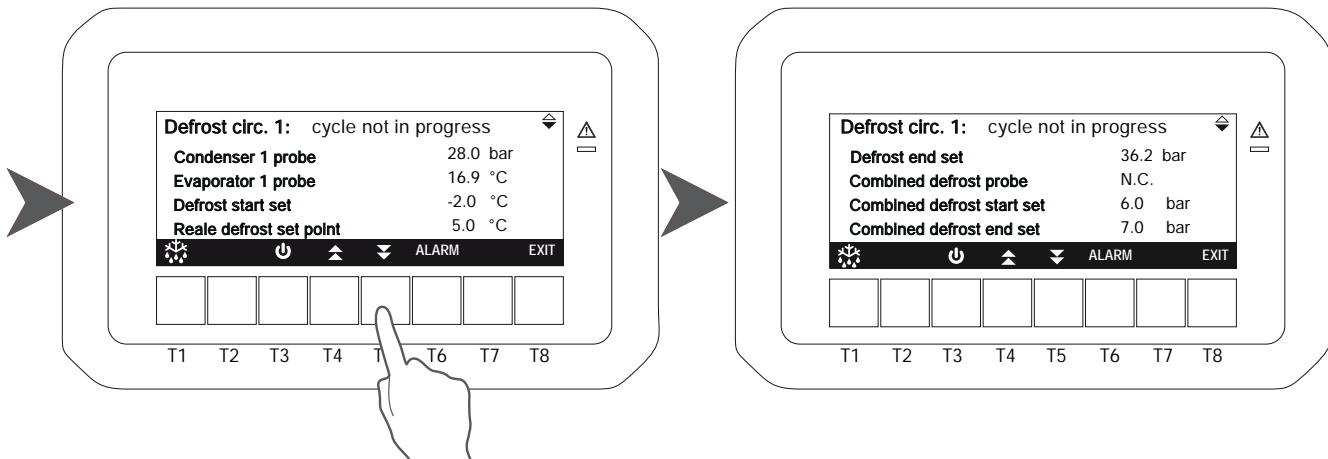


To enter this menu select moving between the icons with the keys T4 and T5 and press SET.

For each circuit it is possible to read the status of the defrost and, after selecting the circuit, pressing the ENTER key it is possible to display some parameters relating to the defrosting of the circuit (values related to the probes and to the set points).



Press T4 and T5 to display all the available parameters.

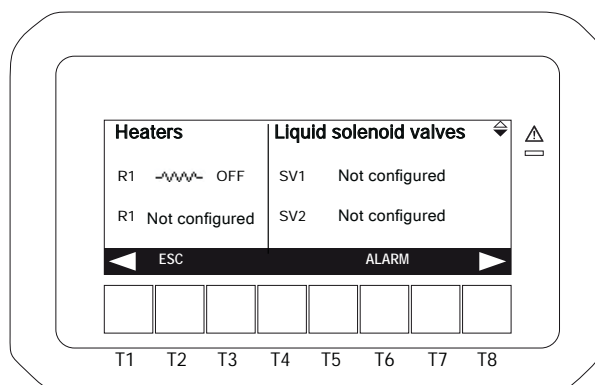


6.7.8 Eletrical heater



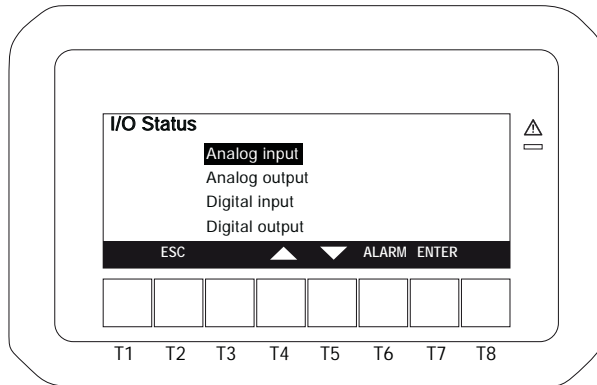
To enter this menu select moving between the icons with the keys T4 and T5 and press SET.

It is possible to read the status of the electrical heaters.



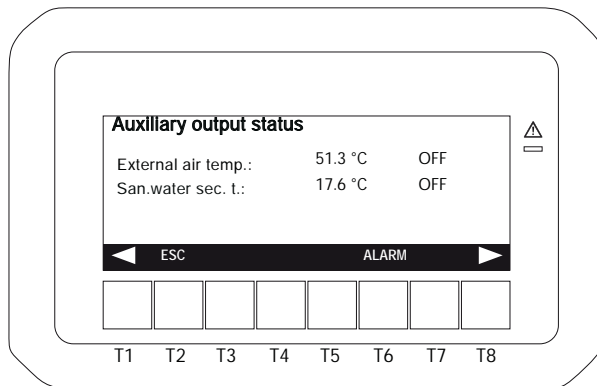
6.7.9 I/O Status (Input/Output)

To enter this menu select **I/O** moving between the icons with the keys T4 and T5 and press SET. It is possible to display: probes status, analog input and output, digital input and output.



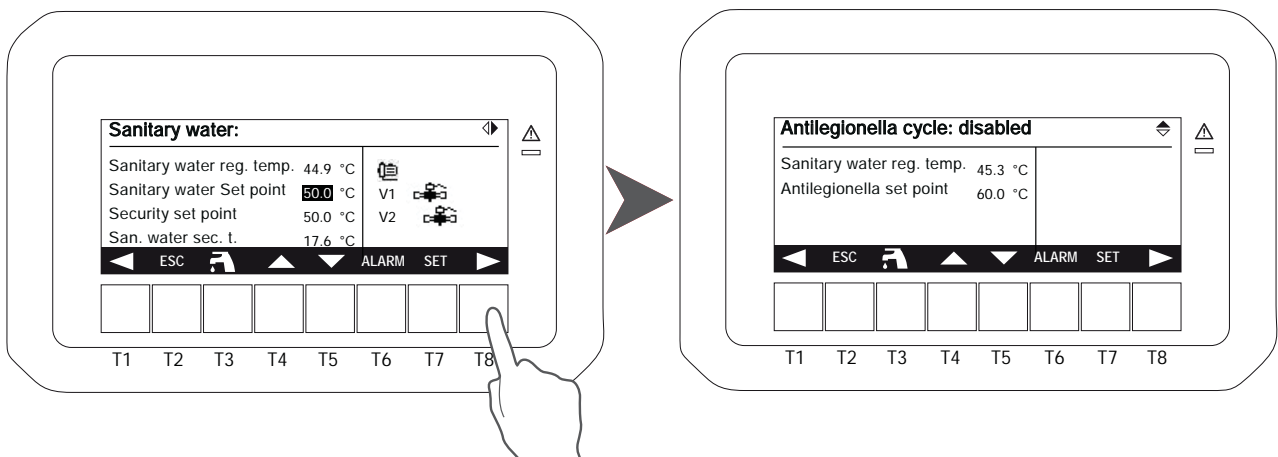
6.7.10 Auxiliary output

To enter this menu select **AUX** moving between the icons with the keys T4 and T5 and press SET. It is possible to read informations about auxiliary outputs.



6.7.11 Sanitary water

To enter this menu select **SAN** moving between the icons with the keys T4 and T5 and press SET. It is possible to read informations of the sanitary water regulation. Press SET key to modify the values.



6.8 Acoustic signal silencing

Pressing and releasing one of the keys; the buzzer is switched off, even if the alarm condition remains in place.

7. MAINTENANCE OF THE UNIT

7.1 General warnings



Starting from 01/01/2016 the new European Regulation 517_2014, "Obligations concerning the containment, use, recovery and destruction of fluorinated greenhouse gases used in stationary refrigeration, air conditioning and heat pumps", became effective. This unit is subject to the following regulatory obligations, which have to be fulfilled by all operators:

- (a) Keeping the equipment records
- (b) Correct installation, maintenance and repair of equipment
- (c) Leakage control
- (d) Refrigerant recovery and disposal management
- (e) Presentation to the Ministry of the Environment of the annual declaration concerning the atmospheric emissions of fluorinated greenhouse gases.

Maintenance can:

- Keep the equipment operating efficiently
- Prevent failures
- Increase the equipment life



It is advisable to maintain a record book for the unit which details all operations performed on the unit as this will facilitate troubleshooting.



Maintenance must be performed in compliance with all requirements of the previous paragraphs.



Use personal protective equipment required by regulations as compressor casings and discharge pipes are at high temperatures. Coil fins are sharp and present a cutting hazard.



If the unit is not to be used during the winter period, the water contained in the pipes may freeze and cause serious damage. In this event, fully drain the water from the pipes, checking that all parts of the circuit are empty including any internal or external traps and siphons.



If it is necessary to replace a component of the machine, both for ordinary and extraordinary maintenance, this component must have the same or higher characteristics than those present. The same or higher performances or thicknesses are meant for the characteristics, which do not compromise the safety, the use, the handling, the storage, the pressures and the temperatures of use of the machine provided by the manufacturer.



The taps in the machine must always be in open position before starting. If it is necessary to disconnect the refrigeration circuit by closing the taps, it is necessary to take precautions to prevent the unit from starting up, even accidentally, and to indicate that the taps have been properly closed with special signs, both on the tap and in the electrical panel. In any case, the taps must remain closed as less as possible.

7.2 Drive access

Access to the unit once installed, should only be possible to authorized operators and technicians. The owner of the equipment is the company legal representative, entity or person owns the property where the machine is installed.

They are fully responsible for all safety rules given in this manual and regulations. If it is not possible to prevent access to the machine by outsiders, a fenced area around the machine at least 1.5 meters away from external surfaces in which operators and technicians only can operate, must be provided.

7.3 Scheduled maintenance

The owner must make sure that the unit is periodically inspected, also on-site, adequately maintained, according to the type, size, age and use of the system, and to the indications contained in the Manual.

Servicing during the unit's operating lifetime and, in particular, scheduled leak detection, on-site inspections and check-ups of safety equipment, must be carried out as provided by local laws and regulations in force.



If leak detection instruments are installed on the system, they must be inspected at least once a year, to make sure that they work properly.

During its operating life, the unit shall be inspected and verified in accordance with applicable local laws and regulations. In particular, when there are no stricter specifications, the indications given in the following table (see EN 378-4, Annex D) must be followed, with reference to the situations described.

CASE	Visual Inspection	Pressure Test	Search for leaks
A	X	X	X
B	X	X	X
C	X		X
D	X		X

A	Inspection after an intervention with possible effects on the mechanical strength or after use change or in case the machine has not been working for more than two years. Replace all the components which are not suitable any more. Do not carry out checks at a higher pressure than the one indicated in the project.
B	Inspection after a repair, or significant adjustment of the system, or its components. The check may be limited to the interested parts, but if a leakage of refrigerant is detected, a leakage search must be carried out on the entire system.
C	Inspection after installation in a different position than the original one. Refer to point A when mechanical strength could have been affected by the change.
D	Leak search, following a well-founded suspicion of refrigerant leakage. It is recommended to examine the system for leakage, either directly (use of leak detection systems) or indirectly (deduction of leakage based on analysis of operating parameters), focusing on the parts most prone to leakage (e.g. joints).



If a defect is detected that compromises the reliable operation of the unit, the unit cannot be re-started until it has been repaired.

7.4 Periodical and start up checks



The start-up operations should be performed in compliance with all requirements of the previous paragraphs.



All of the operations described in this chapter **MUST BE PERFORMED BY TRAINED PERSONNEL ONLY**. Before commencing service work on the unit ensure that the electric supply is disconnected. The top case and discharge line of compressor are usually at high temperature. Care must be taken when working in their surroundings. Aluminium coil fins are very sharp and can cause serious wounds. Care must be taken when working in their surroundings. After servicing, replace the cover panels, fixing them with locking screws.

7.4.1 Electrical system and adjustment

Action to be performed	Frequency					
	Monthly	Every 2 months	Every 6 months	Every year	Every 5 years	As necessary
Check that the unit works properly and that there are no active warnings	X					
Visually inspect the unit	X					
Check noise and vibration level of the unit				X		
Check operation of safety features and of interlocks				X		
Check the unit's performance				X		
Check the current draws of the different parts (compressors, fans, pumps, etc.)				X		
Check the supply voltage of the unit			X			
Check tightness of cables in their clamps			X			
Check the integrity of the insulating coating of power cables				X		
Check the conditions and functioning of the counters				X		
Check functioning of the microprocessor and of the display			X			
Clean the electrical and electronic components of any dust				X		
Check functioning and calibration of probes and transducers				X		

7.4.2 Condensing coils and fans

Action to be performed	Frequency					
	Monthly	Every 2 months	Every 6 months	Every year	Every 5 years	As necessary
Visually inspect the coil	X					
Clean finned coils ⁽¹⁾			X			
Check the water flow and/or any leaks	X					
Check that the flow switch is working properly			X			
Clean the metal filter on the water line ⁽³⁾			X			
Check noise and vibration level of the fans				X		
Check the supply voltage of the fans			X			
Check the fans' electrical connections				X		
Check functioning and calibration of the fans' speed adjustment system (if present)				X		
Check 4-way valve operation (if present)				X		
Check air presence in the hydraulic circuit	X					
Check color of moisture indicator on liquid line				X		
Check for freon leaks ⁽²⁾						X



⁽¹⁾ If the unit is installed in strongly windy areas, near coasts or deserts or in areas subjects to wind and/or sand storms, or near airports, industries or in places with high levels of air pollution in general inspect the unit more frequently (every three months or more) to check the real condition of the surface protection.



⁽²⁾ In order to carry out operations on the refrigerant, it is necessary to observe the European Regulation 517_2014, "Obligations regarding the containment, use, recovery and destruction of fluorinated greenhouse gases used in stationary refrigeration, air conditioning and heat pump equipment".



⁽³⁾ It can be carried out with a higher frequency (also weekly) depending on the Δt .

7.4.3 Compressors

Action to be performed	Frequency					
	Monthly	Every 2 months	Every 6 months	Every year	Every 5 years	As necessary
Visually inspect compressors				X		
Check noise and vibration level of the compressors				X		
Check the supply voltage of the compressors			X			
Check the compressors' electrical connections				X		
Check oil level in the compressors using the oil fill level indicator			X			
Check that the crankcase heaters are powered and working properly				X		
Check the conditions of the compressors' power cables and their tightness in the clamps			X			



Daily and monthly works may be carried out directly by the Owner of the system. All other works must be performed by authorised and trained personnel.



Any kind of cleaning whatsoever is forbidden before disconnecting the device from power supply by turning the master switch to the OFF position. It is forbidden to touch the device while barefooted or with wet or damp body parts.



Works on the cooling line must be carried out by qualified and trained technicians, as provided by local laws and regulations in force.



Before the start-up it is necessary to carry out all the operations described in the previous tables and make the necessary checks provided by the pre-start control module (valid for the Italian market) to be requested to the service.

7.5 Refrigerant circuit repair



If the refrigerant circuit is to be emptied, all the refrigerant must be recovered using the correct equipment.

For leak detection, the system should be charged with nitrogen using a gas bottle with a pressure reducing valve, until 15 bar pressure is reached. Any leakage is detected using a bubble leak finder. If bubbles appear discharge the nitrogen from the circuit before brazing using the proper alloys.



Never use oxygen instead of nitrogen: explosions may occur.

Site assembled refrigerant circuits must be assembled and maintained carefully, in order to prevent malfunctions.

Therefore:

- Avoid oil replenishment with products that are different from that specified and that are pre-loaded into the compressor.
- In the event of a gas leakage on machines using refrigerant R407C, even if it is only a partial leak, do not top up. The entire charge must be recovered, the leak repaired and a new refrigerant charge weighed in to the circuit.
- When replacing any part of the refrigerant circuit, do not leave it exposed for more than 15 minutes.
- It is important when replacing a compressor that the task be completed within the time specified above after removing the rubber sealing caps.
- When replacing the compressor following a burn out, it is advisable to wash the cooling system with appropriate products including a filter for acid.
- When under vacuum do not switch on the compressor.

8. DECOMMISSIONING

8.1 Disconnect the unit



All decommissioning operations must be performed by authorized personnel in accordance with the national legislation in force in the country where the unit is located.

- Avoid spills or leaks into the environment.
- Before disconnecting the machine please recover:
 - the refrigerant gas;
 - Glycol mixture in the hydraulic circuit;
 - the compressor lubricating oil.

Before decommissioning the machine can be stored outdoors, providing that it has the electrical box, refrigerant circuit and hydraulic circuit intact and closed.

8.2 Disposal, recovery and recycling

The frame and components, if unusable, should be taken apart and sorted by type, especially copper and aluminum that are present in large quantities in the machine.

All materials must be recovered or disposed in accordance with national regulations.



The refrigerant circuit of the unit contains lubricant oil that binds the disposal mode of components .

8.3 RAEE Directive (only UE)



The crossed-out bin symbol on the label indicates that the product complies with regulations on waste electrical and electronic equipment.
The abandonment of the equipment in the environment or its illegal disposal is punishable by law.

This product is included in the application of Directive 2012/19/EU on the management of waste electrical and electronic equipment (WEEE).

The unit should not be treated with household waste as it is made of different materials that can be recycled at the appropriate facilities. Inform through the municipal authority about the location of the ecological platforms that can receive the product for disposal and its subsequent proper recycling.

The product is not potentially dangerous for human health and the environment, as it does not contain dangerous substances as per Directive 2011/65/EU (RoHS), but if abandoned in the environment it has a negative impact on the ecosystem.

Read the instructions carefully before using the unit for the first time. It is recommended not to use the product for any purpose other than that for which it was designed, as there is a risk of electric shock if used improperly.

9. DIAGNOSIS AND TROUBLESHOOTING

9.1 Fault finding

All units are checked and tested at the factory before shipment, however, during operation an anomaly or failure can occur.



BE SURE TO RESET AN ALARM ONLY AFTER YOU HAVE REMOVED THE CAUSE OF THE FAULT; REPEATED RESET MAY RESULT IN IRREVOCABLE DAMAGE TO THE UNIT.

Unit alarms				
Code	Visualization	Alarm Description	Cause	Solution
ACF1... ...ACF19	Conf AL1...Conf AL19	Configuration alarm	Wrong configuration of microprocessor control system.	Contact the company.
AEFL	Plant side flow AL	User water flow switch alarm	Presence of air or dirtiness in the user hydraulic system.	Bleed carefully the user hydraulic system or check and clean the water strainer.
ACFL	Source side flow AL	Source water flow switch alarm (only for water-water units)	Presence of air or dirtiness in the source hydraulic system. (Only water/water units)	Bleed carefully the spurce hydraulic system or check and clean the water strainer.
AEUn	Unload notify (evap.)	Compressor unloading alarm (only units with more than 1 compressor)	User water temperature is too high.	Wait until the user water temperature is lower.
AHFL	Sanitary water flow AL	Domestic hot water flow switch alarm	Presence of air or dirtiness in the user hydraulic system.	Bleed carefully the user hydraulic system or check and clean the water strainer.

AP1...AP10	Pb AL1 ... Pb AL10	Alarm user inlet water temperature sensor	Wrong electrical connection, Sensor defect.	Check the electrical connection of the sensor to the terminal board, if correct call the service to replace the sensor.
AP11...AP20	Pb1 AL e1 ...Pb7 AL e1	Alarm expansion probe 1 (if used)		
AP21...AP27	Pb1 AL e2 ...Pb7 AL e2	Alarm expansion probe 2 (if used)		
AtC1	Cond.pump 1 overl	Condenser n° 1 water pump overload alarm (only water/water units)	Pump overload.	Check the hydraulic circuit
AtC1	Cond.pump 2 overl	Condenser support n° 2 water pump overload alarm (if used) (only water/water units)	Pump overload.	Check the hydraulic circuit
AtE1	Evaporator water pump 1 overload	Evaporator1 pump thermal protection alarm	Pump overload.	Check the hydraulic circuit
AtE2	Evaporator water pump 2 overload	Evaporator2 pump thermal protection alarm (if present)	Pump overload.	Check the hydraulic circuit
AEht	Hi temp.evap.water inlet	Evaporator water inlet high temperature	Evaporator water inlet high temperature alarm	Wait until the user water temperature is lower
AEM1	E1 discon	Expansion alarm	The expansion is used and lose communication with the expansion card.	Check the expansion serial address
AEM2	E2 discon	Expansion alarm		
AFFC	Antif AL FC	Anti-freeze alarm in free-cooling (if present)	Presence of air or dirtiness in the free cooling hydraulic system.	Contact the service department.
Atrb	Boiler overl AL	Boiler electrical heaters overloading alarm.	Digital input Thermal heaters active.	Contact the service department.
APS	Phases sequ AL	Phases sequence alarm.	Digital input Phase sequence relay active.	Check the connections of the main switch.
AFr	Power supply freq.AL	Power supply frequency alarm.	Power supply frequency is different from that configured.	Contact the service department.
ALc1	Generic AL1	Generic alarm 1	--	Contact the service department.
ALc2	Generic AL2	Generic alarm 2	--	Contact the service department.
Probe fault	Probe fault	Wiring alarm	Wrong electric connections. Sensor defect	Check the electrical connection of the sensor to the terminal board, if correct call the service to replace the sensor

Circuit alarms				
Code	Visualization	Alarm Description	Cause	Solution
B(n)HP	Hi press circ(n)	Circuit high pressure pressure switch(n)	<p>In heating mode: Insufficient user circuit water flow; Insufficient domestic hot water circuit water flow.</p> <p>In cooling mode: Insufficient air flow at the source fan; Insufficient domestic hot water circuit water flow.</p>	<p>Restore the correct user circuit water flow. Restore the correct domestic hot water circuit water flow.</p> <p>Restore the correct air flow to source fan. Restore the correct domestic hot water circuit water flow.</p>
b(n)AC	Antif/lo temp.C(n) (DI - CH) Antif/lo temp.C(n) (AI - CH)	Anti-freeze alarm circuit (n) (cooling mode)	Too low water temperature	Check user temperature set point; Check user water flow.
b(n)AH	Antif/lo temp.C(n) (DI - HP) Antif/lo temp.C1 (AI - HP)	Anti-freeze alarm circuit (n) (heating mode)	Too low water temperature	Check user temperature set point.
b(n)dF	dF AL circ(n)	Wrong defrost circuit (n) (maximum time admitted)	Defrost time too long; Outside temperature outside the working limits; Refrigerant charge leakage.	Restore normal working conditions; Find leakage and repair.
b(n)hP	Hi press circ(n)	High pressure transducer alarm circuit (n)	<p>In heating mode: Insufficient user circuit water flow; Insufficient domestic hot water circuit water flow.</p> <p>In cooling mode: Insufficient air flow at the source fan; Insufficient domestic hot water circuit water flow.</p>	<p>Restore the correct user circuit water flow. Restore the correct domestic hot water circuit water flow.</p> <p>Restore the correct air flow to source fan. Restore the correct domestic hot water circuit water flow.</p>
B(n)LP	Low press circ(n)	Low pressure switch circuit (n)	Refrigerant charge leakage.	Find leakage and repair.
b(n)IP	Low press circ(n)	Low pressure transducer alarm circuit (n)	Refrigerant charge leakage.	Find leakage and repair.
b(n)tF	Cond.fan overl circ(n)	Source fan thermal protection alarm	Current input outside operating limits.	Check the correct working of the source fan and replace it if necessary.
b(n)Cu	Unload high t/p circ(n)	Warning high pressure circuit (n)	<p>In heating mode: Insufficient user circuit water flow; Insufficient domestic hot water circuit water flow.</p> <p>In cooling mode: Insufficient air flow at the source fan; Insufficient domestic hot water circuit water flow.</p>	Contact the service department.

letter (n) identifies the circuit concerned

Compressors alarms				
Code	Visualization	Alarm Description	Cause	Solution
C(n)tr	C(n) overl	Compressor (n) overload	Compressor (n) input current outside operation limits.	Replace the compressor.
C(n)oP	AL oil C (n)	Compressor (n) pressure switch/oil float	Maintenance required.	Contact the service department.
C(n)dt	Hi Disch temp.C(n)	Compressor (n) high discharge temperature	Service required.	Contact the service department.

letter (n) identifies the circuit concerned

Other alarms			
Visualization	Alarm Description	Cause	Solution
Thermostatic expansion valves AL!	The expansion circuit stops (Only with electronic expansion valve).	Faults to the cooling circuit.	Contact the service department.
Flowmeter transd.	Wrong reading of flowmeter transducer.	Fault of the transducer and/or hydraulic circuit.	Check the electrical connections, if correct call the service to replace the sensor.



ESEX TECHNOLOGIES

VIA DELLE INDUSTRIE, 7 • CAP 31030 • VACIL DI BREDÀ DI PIAVE (TV)
TEL. +39 0422 605 311

Info@enextechnologies.com • www.enextechnologies.com

Technical data shown in this booklet are not binding.

The Company shall have the right to introduce at any time whatever modifications necessary to the improvement of the product.
The reference languages for the whole documentation are Italian and English. The other languages are to be considered only as guidelines.
